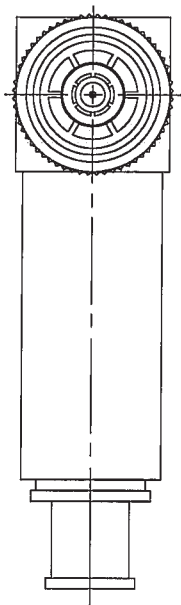
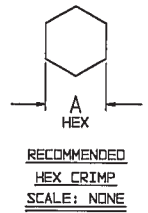


RED INDICATES ORIGINAL

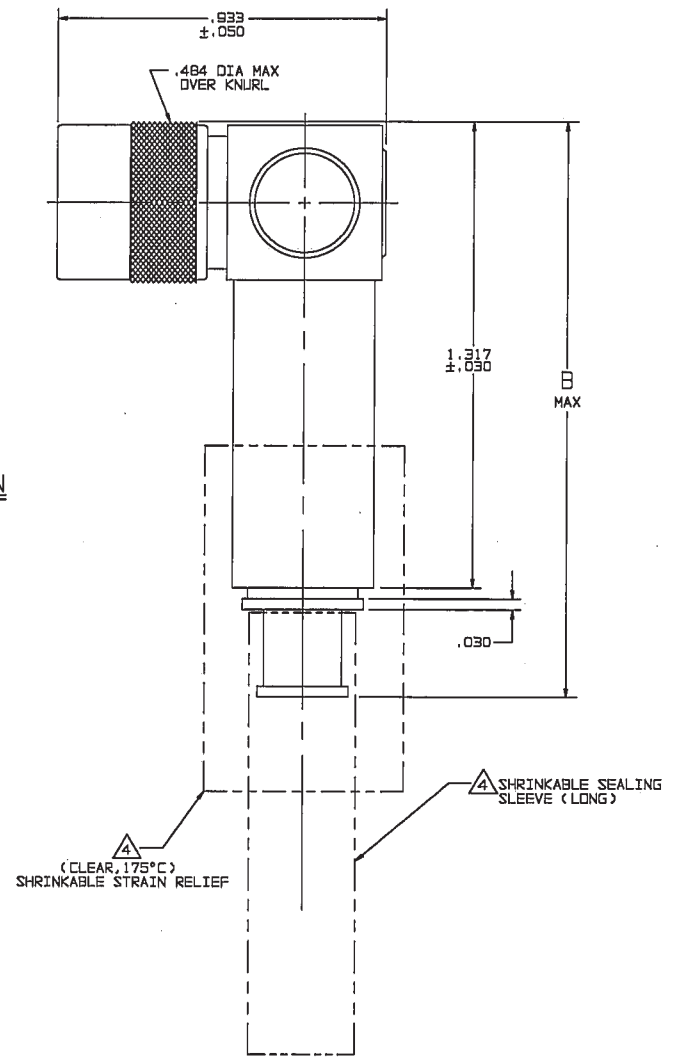
DWG SIZE C	DATA CONTAINED IN THIS DOCUMENT IS PROPRIETARY TO TROMPETER ELECTRONICS INC. AND SHALL NOT BE DISCLOSED, COPIED OR USED FOR PROCUREMENT OR MANUFACTURE WITHOUT EXPRESS WRITTEN PERMISSION.			REVISIONS			310-0073	SH 1
	REV	ED	DESCRIPTION	DWN	APPROVED	DATE		
	G	12387	ADDED -224 & -225; ADDED NOTE [4] SHEET 2; SEE ECO	DKC	WM NAM.	7/22/98		

DASH NO	CABLES ACCOMMODATED	A HEX	B MAX	ASSEMBLE PER
-201	M17/176-00002	.344	1.77	TAI-169
-202	TWC-78-1			
-203	TWC-124-1A			
-204	10802, RAYCHEM			
-205	TWAC-78-1F2			
-206	7B26D0130, RAYCHEM			
-207	B3310 BELDEN			
-208	202-3827 MICRODOT			
-209	202-3842 MICRODOT			
-210	B451 BELDEN			
-211	202-3934 MICRODOT	.344	1.52	TAI-161
-212	2524E0114, RAYCHEM			
-213	TWC-78-2			
-214	TWC-124-2			
-215	BL-982 TIMES			
-216	BL-1242 TIMES			
-217	GC875TM24H, GRUMMAN	.344	1.77	TAI-169
-218	EPO 221688, RAYCHEM			
-219	2526D1114, RAYCHEM			
-220	GC875RR1, GRUMMAN			
-221	10614, RAYCHEM			
-222	10613, RAYCHEM			
-223	HMS2-1149, HUGHES	.344	1.52	TAI-161
-224	TWCP-124-3			
-225	PS689PL, PRIME STOCK			
-301	GC875GC1, GRUMMAN			
-302	GC875GB1, GRUMMAN 5022E5111, RAYCHEM			
-303	7528A5314, RAYCHEM			
-304		.344	1.76	TAI-154
-305	M17/177-00001, THERMATICS			
-306	TRC-50-2 M17/134-00002			
-307	TRC-75-1			
-308	TRC-75-2			
-309	TRC-50-1			

INCH	MM
.005	0.13
.030	0.76
.050	1.27
.344	8.74
.484	12.29
.933	23.70
1.00	25.40
1.25	31.75
1.317	33.45
1.47	37.34
1.52	38.61
1.75	44.45
1.76	44.70
1.77	44.96



-201 SHOWN



1. ALL DIM ARE IN INCHES
2. FINISH: TFS-1A (NICKEL)
3. CONCENTRIC TWINAX/TRIAx TTM THREADED RIGHT ANGLE FULL CRIMP CABLE PLUG
4. SHRINKABLE STRAIN RELIEF AND/OR SHRINKABLE SEALING SLEEVE SUPPLIED LOOSE AS FOLLOWS:
- a. CABLE GROUPS -201 THROUGH -210, -217 THROUGH -223, -301, -302, -303, -305, -307 & -309
 - 1 SHRINKABLE STRAIN RELIEF (1.00 LONG)
 - 1 SHRINKABLE SEALING SLEEVE (1.25 LONG)
 - b. CABLE GROUPS -211 THROUGH -216, -306 & -308
 - 1 SHRINKABLE STRAIN RELIEF (1.75 LONG)

6. EXAMPLE OF COMPLETE MODEL NO:
PLR3155AC S-201
 BASIC MODEL NO ——— CABLE GROUP DASH NO
 SAFETY WIRE ———

5. EXAMPLE OF COMPLETE PART NO:
310-0073 S-201
 BASIC PART NO ——— CABLE GROUP DASH NO
 SAFETY WIRE ———

QTY	DESCRIPTION	PART NUMBER	ITEM
TOL UNLESS SPECIFIED XX ± .03 .XXX ± .005 X.XXX ± .0005 ANGLE	TROMPETER RF connectivity	PLR3155AC/ PLR3155ACS	
DWN	DKC	5-19-98	
CHK	MM	6-2-98	
ENGR			
APPR	MM	7/16/98	
NEXT ASSY			

SCALE 4/1 DATE 4/19/99 SHEET 1 OF 2

X-ON Electronics

Largest Supplier of Electrical and Electronic Components

Click to view similar products for [RF Connectors / Coaxial Connectors](#) category:

Click to view products by [Bel Fuse](#) manufacturer:

Other Similar products are found below :

[8915-1511-000](#) [89674-0827](#) [6001-7071-019](#) [6002-7051-003](#) [6002-7551-202](#) [6059674-1](#) [619550-1](#) [630059-000](#) [M39030/3-01N](#) [6500-7071-046](#) [6769](#) [CX050L2AQ](#) [7002-1541-010](#) [7002-1542-011](#) [7004-1512-000](#) [7009-1511-004](#) [7010-1511-000](#) [7029-1511-060](#) [7101-1541-010](#) [7101-1571-002](#) [7145-1521-002](#) [7203-1571-003](#) [7209-1511-011](#) [7210-1511-015](#) [7210-1511-019](#) [73137-5015](#) [73216-2241](#) [73404-2300](#) [7405-1521-005](#) [7405-1521-802](#) [8527](#) [8547](#) [FS11V](#) [877931](#) [8808-1511-001](#) [9049-9513-000](#) [9074-9513-000](#) [9101-9573-002](#) [910A205F](#) [9130-9573-002](#) [PL11SC-026](#) [PL375-33](#) [PL40-5](#) [PL74C-221](#) [PL75MC-217](#) [PL803-7](#) [1200690078](#) [1-201144-1](#) [R107003010W](#) [R110A172100](#)