

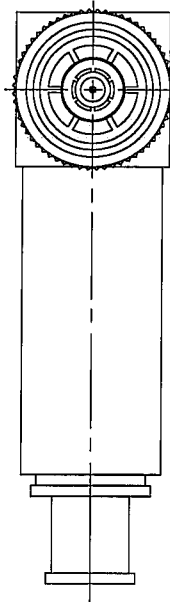
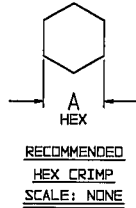
# RED INDICATES ORIGINAL

DWG SIZE C DATA CONTAINED IN THIS DOCUMENT IS PROPRIETARY TO TROMPETER ELECTRONICS, INC. AND SHALL NOT BE DISCLOSED, COPIED OR USED FOR PROCUREMENT OR MANUFACTURE WITHOUT EXPRESS WRITTEN PERMISSION.

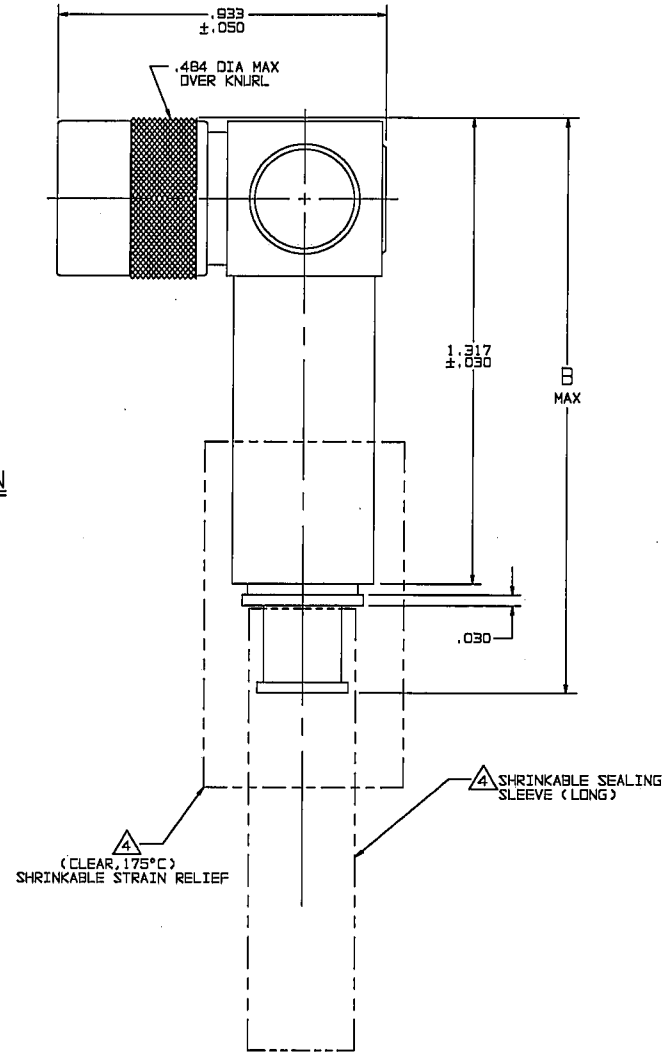
REVISIONS				310-0073	SH 1
REV	ED	DESCRIPTION	DWN	APPROVED	DATE
G	12387	ADDED -224 & -225; ADDED NOTE [4] SHEET 2; SEE ECO	DKC	WM NAM.	7/22/98

DASH NO	CABLES ACCOMMODATED	A HEX	B MAX	ASSEMBLE PER
-201	M17/176-00002	.344	1.77	TAI-169
-202	TWC-78-1			
-203	TWC-124-1A			
-204	10802, RAYCHEM			
-205	TWAC-78-1F2			
-206	7B26D0130, RAYCHEM			
-207	B3310 BELDEN			
-208	202-3827 MICRODOT			
-209	202-3842 MICRODOT			
-210	B451 BELDEN			
-211	202-3934 MICRODOT	.344	1.52	TAI-161
-212	2524E0114, RAYCHEM			
-213	TWC-78-2			
-214	TWC-124-2			
-215	BL-982 TIMES			
-216	BL-1242 TIMES			
-217	GCB75TM24H, GRUMMAN	.344	1.77	TAI-169
-218	EPO 221688, RAYCHEM			
-219	2526D1114, RAYCHEM			
-220	GCB75RR1, GRUMMAN			
-221	10614, RAYCHEM			
-222	10613, RAYCHEM	.344	1.52	TAI-161
-223	HMS2-1149, HUGHES			
-224	TWCP-124-3			
-225	PS689PL, PRIME STOCK			
-301	GCB75GC1, GRUMMAN			
-302	GCB75GB1, GRUMMAN			
-303	5022E5111, RAYCHEM			
-304	7528A5314, RAYCHEM			
-305	M17/177-00001, THERMATICS			
-306	TRC-50-2	.344	1.47	TAI-178
-307	M17/134-00002			
-308	TRC-75-1			
-309	TRC-75-2			
-309	TRC-50-1		1.76	TAI-154

INCH	MM
.005	0.13
.030	0.76
.050	1.27
.344	8.74
.484	12.29
.933	23.70
1.00	25.40
1.25	31.75
1.317	33.45
1.47	37.34
1.52	38.61
1.75	44.45
1.76	44.70
1.77	44.96



-201 SHOWN



- 1 SHRINKABLE STRAIN RELIEF AND/OR SHRINKABLE SEALING SLEEVE SUPPLIED LOOSE AS FOLLOWS:
- CABLE GROUPS -201 THROUGH -210, -217 THROUGH -223, -301, -302, -303, -305, -307 & -309
    - 1 SHRINKABLE STRAIN RELIEF (1.00 LONG)
    - 1 SHRINKABLE SEALING SLEEVE (1.25 LONG)
  - CABLE GROUPS -211 THROUGH -216, -306 & -308
    - 1 SHRINKABLE STRAIN RELIEF (1.75 LONG)
- CONCENTRIC TWINAX/TRIAx TTM THREADED RIGHT ANGLE FULL CRIMP CABLE PLUG
  - FINISH: TFS-1A (NICKEL)
  - ALL DIM ARE IN INCHES

- EXAMPLE OF COMPLETE MODEL NO:  
PLR3155AC S-201  
BASIC MODEL NO ———— CABLE GROUP DASH NO  
SAFETY WIRE ————
- EXAMPLE OF COMPLETE PART NO:  
310-0073 S-201  
BASIC PART NO ———— CABLE GROUP DASH NO  
SAFETY WIRE ————

QTY	DESCRIPTION	PART NUMBER	ITEM
TOL UNLESS SPECIFIED XX ± .03 XXX ± .005 XXXXX ± .0002 ANGLE	<b>TROMPETER ELECTRONICS, INC.</b>	PLR3155AC/ PLR3155ACS	
DWN DKC 5-19-98	MATERIAL	CODE IDENT	DRAWING NO.
CHK NAM 6-8-98	14949	310-0073	REV G
ENGR	SCALE 4/1	DATE 4/19/99	SHEET 1 OF 2
APPR NAM 7/16/98			

NEXT ASSY

## X-ON Electronics

Largest Supplier of Electrical and Electronic Components

*Click to view similar products for [RF Connectors / Coaxial Connectors](#) category:*

*Click to view products by [Bel Fuse](#) manufacturer:*

Other Similar products are found below :

[8915-1511-000](#) [89674-0827](#) [6001-7071-019](#) [6002-7051-003](#) [6002-7551-202](#) [6059674-1](#) [619550-1](#) [630059-000](#) [M39030/3-01N](#) [6500-7071-046](#) [6769](#) [CX050L2AQ](#) [7002-1541-010](#) [7002-1542-011](#) [7004-1512-000](#) [7009-1511-004](#) [7010-1511-000](#) [7029-1511-060](#) [7101-1541-010](#) [7101-1571-002](#) [7145-1521-002](#) [7203-1571-003](#) [7209-1511-011](#) [7210-1511-015](#) [7210-1511-019](#) [73137-5015](#) [73216-2241](#) [73404-2300](#) [7405-1521-005](#) [7405-1521-802](#) [8527](#) [8547](#) [FS11V](#) [877931](#) [8808-1511-001](#) [9049-9513-000](#) [9074-9513-000](#) [9101-9573-002](#) [910A205F](#) [9130-9573-002](#) [PL11SC-026](#) [PL375-33](#) [PL40-5](#) [PL74C-221](#) [PL75MC-217](#) [PL803-7](#) [1200690078](#) [1-201144-1](#) [R107003010W](#) [R110A172100](#)