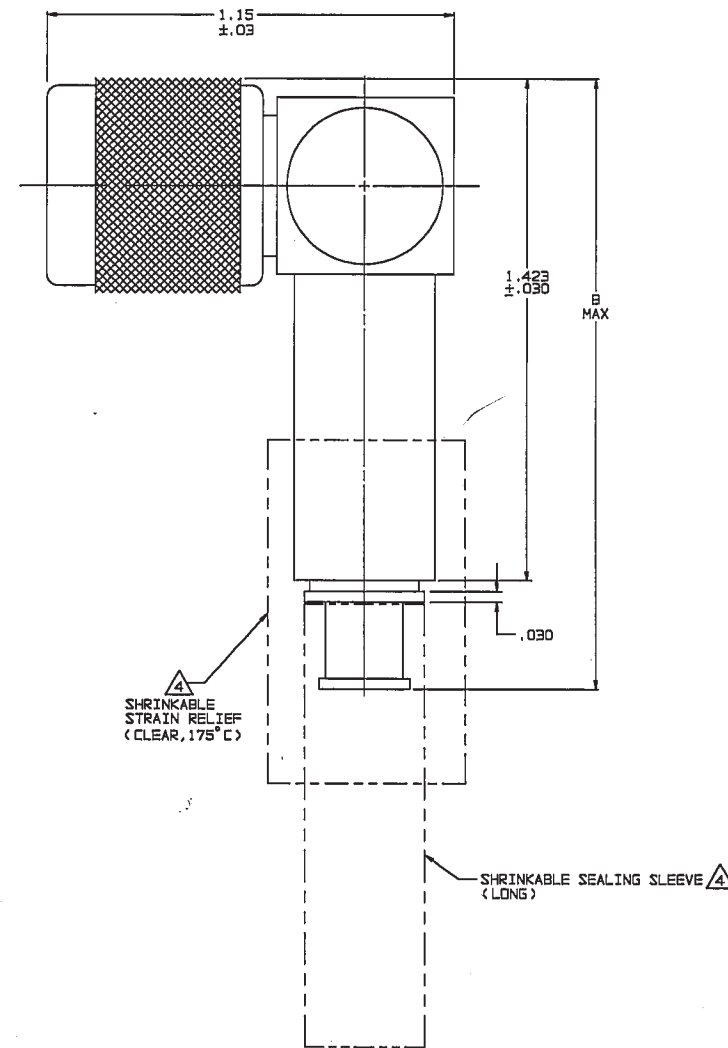
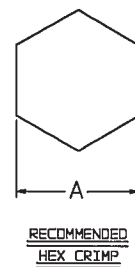
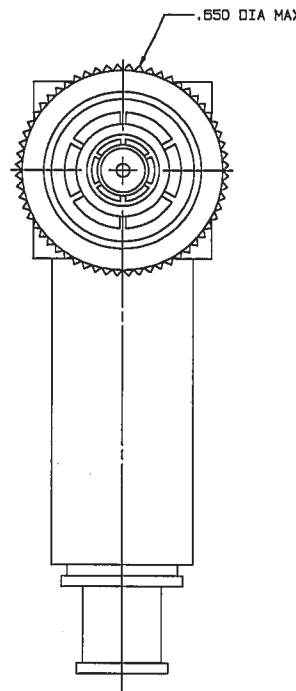


RED INDICATES ORIGINAL

DWG SIZE D	DATA CONTAINED IN THIS DOCUMENT IS PROPRIETARY TO TROMPETER ELECTRONICS, INC. AND SHALL NOT BE DISCLOSED, COPIED OR USED FOR PROCUREMENT OR MANUFACTURE WITHOUT EXPRESS WRITTEN PERMISSION.			REVISIONS			310-0074	SH 1
	REV	EO	DESCRIPTION	DWN	APPROVED	DATE		
	K	12387	ADDED -224 & -225; ADDED NOTE [4] SHEET 2; SEE ECO	DKC	W.M. AM.	7/22/98		

TABLE 1					INCH	MM
DASH NO	CABLES ACCOMMODATED	A HEX	B DIM	ASSEMBLE PER		
-201	M17/176-00002				.005	0.13
-202	TWC-7B-1				.030	0.76
-203	TWC-124-1A				.344	8.74
-204	10602 RAYCHEM				.650	16.51
-205	TWAC-7B-1F2				1.00	25.40
-206	782600130 RAYCHEM	1.79		TAI-169	1.15	29.21
-207	83310 BELDEN				1.25	31.75
-208	202-3927 MICRODOT				1.423	36.14
-209	202-3942 MICRODOT				1.51	38.35
-210	8451 BELDEN				1.75	44.45
-211	202-3934 MICRODOT				1.79	45.47
-212	2524E0114 RAYCHEM					
-213	TWC-7B-2					
-214	TWC-124-2	1.51		TAI-161		
-215	BL-982 TIMES					
-216	BL-1242 TIMES					
-217	GCB75TM24H GRUMMAN					
-218	EPD 221688 RAYCHEM	.344				
-219	2526D1114, RAYCHEM					
-220	GCB75RR1, GRUMMAN					
-221	10614, RAYCHEM	1.79		TAI-169		
-222	10613, RAYCHEM					
-223	HMS2-1149, HUGHES					
-224	TWCP-124-3	1.51		TAI-161		
-225	PS865PL, PRIME STOCK					
-301	GCB75GC1, GRUMMAN					
-302	GCB75GB1, GRUMMAN					
-303	7528A5314, RAYCHEM	1.79		TAI-154		
-304						
-305	M17/177-00001, THERMATICS					
-306	TRC-50-2	1.51		TAI-178		
	M17/134-00002					
-307	TRC-75-1	1.79		TAI-154		
-308	TRC-75-2	1.51		TAI-178		
-309	TRC-50-1	1.79		TAI-154		



-201 SHOWN

6. EXAMPLE OF COMPLETE MODEL NO:

PLR375C - 201

BASIC MODEL NO CABLE GROUP
DASH NO

5. IF SAFETY WIRE TYPE REQ'D ADD SUFFIX *S* TO MODEL NO. (PLR375CS)

1 SHRINKABLE STRAIN RELIEF AND/OR SHRINKABLE SEALING SLEEVE SUPPLIED LOOSE AS FOLLOWS:

- a. CABLE GROUPS -201 THROUGH -210, -217 THROUGH -303, -305, -307 & -309
 - 1 SHRINKABLE STRAIN RELIEF (1.00 LONG)
 - 1 SHRINKABLE SEALING SLEEVE (1.25 LONG)
- b. CABLE GROUPS -211 THROUGH -216, -306 & -308
 - 1 SHRINKABLE STRAIN RELIEF (1.75 LONG)

3. THREADED BAYONET CONCENTRIC TWINAX/TRIAx TRB RIGHT ANGLE FULL CRIMP CABLE PLUG

2. FINISH: TFS-1A (NICKEL)

1. ALL DIM ARE IN INCHES

QTY	DESCRIPTION	PART NUMBER	ITEM
TOL. UNLESS SPECIFIED ±.005 ±.0002 ±.0001 ANGLES	TROMPETER RF connectivity	PLR375C/ PLR375CS	
DWN DKC 5-18-98	MATERIAL CODE IDENT	DRAWING NO.	REV
CHK WAM 6-8-98	14949	310-0074	K
ENGR			
APPR W.M. 7/16/98	SCALE 4/1	DATE 8/29/98	SHEET 1 OF 2

X-ON Electronics

Largest Supplier of Electrical and Electronic Components

Click to view similar products for [RF Connectors / Coaxial Connectors](#) category:

Click to view products by [Bel Fuse](#) manufacturer:

Other Similar products are found below :

[8915-1511-000](#) [89674-0827](#) [6001-7071-019](#) [6002-7051-003](#) [6002-7551-202](#) [6059674-1](#) [619550-1](#) [630059-000](#) [M39030/3-01N](#) [6500-7071-046](#) [6769](#) [CX050L2AQ](#) [7002-1541-010](#) [7002-1542-011](#) [7004-1512-000](#) [7009-1511-004](#) [7010-1511-000](#) [7029-1511-060](#) [7101-1541-010](#) [7101-1571-002](#) [7145-1521-002](#) [7203-1571-003](#) [7209-1511-011](#) [7210-1511-015](#) [7210-1511-019](#) [73137-5015](#) [73216-2241](#) [73404-2300](#) [7405-1521-005](#) [7405-1521-802](#) [8527](#) [8547](#) [FS11V](#) [877931](#) [8808-1511-001](#) [9049-9513-000](#) [9074-9513-000](#) [9101-9573-002](#) [910A205F](#) [9130-9573-002](#) [PL11SC-026](#) [PL375-33](#) [PL40-5](#) [PL74C-221](#) [PL75MC-217](#) [PL803-7](#) [1200690078](#) [1-201144-1](#) [R107003010W](#) [R110A172100](#)