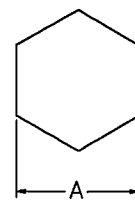
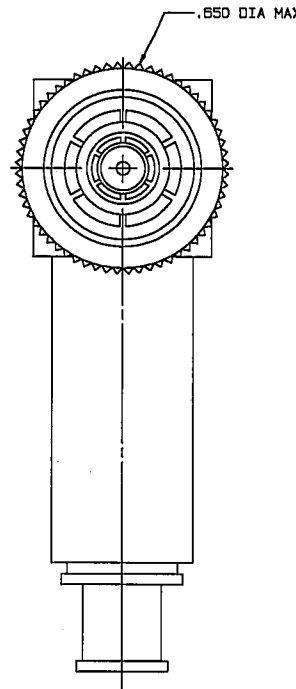


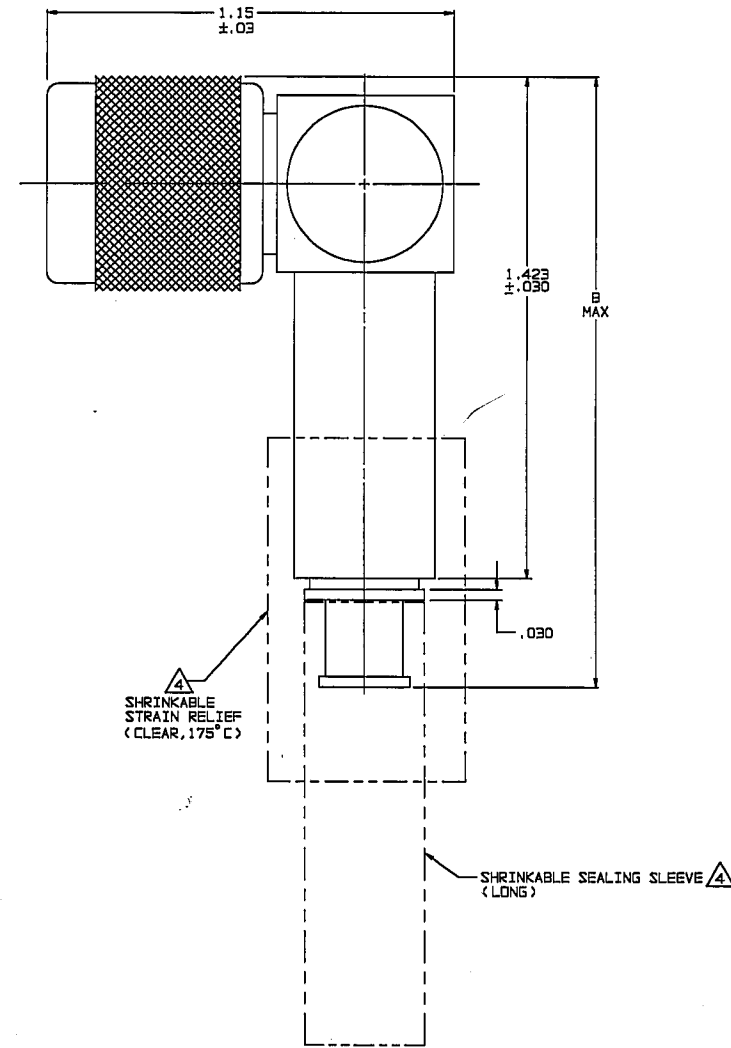
# RED INDICATES ORIGINAL

DWG SIZE D	DATA CONTAINED IN THIS DOCUMENT IS PROPRIETARY TO TROMPETER ELECTRONICS, INC. AND SHALL NOT BE DISCLOSED, COPIED OR USED FOR PROCUREMENT OR MANUFACTURE WITHOUT EXPRESS WRITTEN PERMISSION.			REVISIONS			310-0074	SH 1
	REV	ED	DESCRIPTION	DWN	APPROVED	DATE		
	K	12387	ADDED -224 & -225; ADDED NOTE [4] SHEET 2; SEE ECD	DKC	Wm Am.	7/22/98		

TABLE 1					INCH	MM		
DASH NO	CABLES ACCOMMODATED	A HEX	B DIM	ASSEMBLY PER				
-201	M17/176-00002	.344	1.79	TAI-169	.005	0.13		
-202	TWC-78-1				.030	0.76		
-203	TWC-124-1A				.344	8.74		
-204	10602 RAYCHEM				.650	16.51		
-205	TWAC-78-1F2				1.00	25.40		
-206	782600130 RAYCHEM				1.15	29.21		
-207	83310 BELDEN				1.25	31.75		
-208	202-3927 MICRODOT				1.423	36.14		
-209	202-3942 MICRODOT				1.51	38.35		
-210	8451 BELDEN				1.75	44.45		
-211	202-3934 MICRODOT				1.79	45.47		
-212	2524E0114 RAYCHEM				1.51	TAI-161		
-213	TWC-78-2							
-214	TWC-124-2							
-215	BL-982 TIMES							
-216	BL-1242 TIMES							
-217	GCB75TM24H GRUMMAN							
-218	EPD 221888 RAYCHEM							
-219	2526D1114, RAYCHEM							
-220	GCB75RR1, GRUMMAN							
-221	10B14, RAYCHEM							
-222	10B13, RAYCHEM							
-223	HMS2-1149, HUGHES	1.79	TAI-154					
-224	TWCP-124-3							
-225	PS865PL, PRIME STOCK							
-301	GCB75GC1, GRUMMAN							
-302	GCB75GB1, GRUMMAN							
-303	7528A5314, RAYCHEM							
-304								
-305	M17/177-00001, THERMATICS							
-306	TRC-50-2							
-307	M17/134-00002							
-308	TRC-75-1	1.51	TAI-17B					
-309	TRC-75-2	1.79	TAI-154					
-309	TRC-50-1	1.51	TAI-17B					
-309	TRC-50-1	1.79	TAI-154					



RECOMMENDED  
HEX CRIMP



-201 SHOWN

6. EXAMPLE OF COMPLETE MODEL NO:

PLR375C - 201

BASIC MODEL NO      CABLE GROUP  
  DASH NO

5. IF SAFETY WIRE TYPE REQ'D ADD SUFFIX 'S' TO MODEL NO. (PLR375CS)

**A** 1 SHRINKABLE STRAIN RELIEF AND/OR SHRINKABLE SEALING SLEEVE SUPPLIED LOOSE AS FOLLOWS:

- a. CABLE GROUPS -201 THROUGH -210, -217 THROUGH -303, -305, -307 & -309
  - 1 SHRINKABLE STRAIN RELIEF (1.00 LONG)
  - 1 SHRINKABLE SEALING SLEEVE (1.25 LONG)
- b. CABLE GROUPS -211 THROUGH -216, -306 & -308
  - 1 SHRINKABLE STRAIN RELIEF (1.75 LONG)

3. THREADED BAYONET CONCENTRIC TWINAX/TRIAX TRB RIGHT ANGLE FULL CRIMP CABLE PLUG

2. FINISH: TFS-1A (NICKEL)

1. ALL DIM ARE IN INCHES

QTY	DESCRIPTION	PART NUMBER	ITEM
TOL UNLESS SPECIFIED X ± .00X ± .005 X ± .000X ± ANGLE	<b>TROMPETER ELECTRONICS, INC.</b>	PLR375C/ PLR375CS	
DWN	DKC	5-18-98	MATERIAL CODE IDENT
CHK	WAM	6-8-98	14949
ENGR			310-0074
APPR	WAM	7/16/98	REV K
NEXT ASSY	APPR		SCALE 4/1 DATE 8/28/99 SHEET 1 OF 2

## X-ON Electronics

Largest Supplier of Electrical and Electronic Components

*Click to view similar products for [RF Connectors / Coaxial Connectors](#) category:*

*Click to view products by [Bel Fuse](#) manufacturer:*

Other Similar products are found below :

[8915-1511-000](#) [89674-0827](#) [6001-7071-019](#) [6002-7051-003](#) [6002-7551-202](#) [6059674-1](#) [619550-1](#) [630059-000](#) [M39030/3-01N](#) [6500-7071-046](#) [6769](#) [CX050L2AQ](#) [7002-1541-010](#) [7002-1542-011](#) [7004-1512-000](#) [7009-1511-004](#) [7010-1511-000](#) [7029-1511-060](#) [7101-1541-010](#) [7101-1571-002](#) [7145-1521-002](#) [7203-1571-003](#) [7209-1511-011](#) [7210-1511-015](#) [7210-1511-019](#) [73137-5015](#) [73216-2241](#) [73404-2300](#) [7405-1521-005](#) [7405-1521-802](#) [8527](#) [8547](#) [FS11V](#) [877931](#) [9049-9513-000](#) [9074-9513-000](#) [9101-9573-002](#) [910A205F](#) [9130-9573-002](#) [PL11SC-026](#) [PL375-33](#) [PL40-5](#) [PL74C-221](#) [PL75MC-217](#) [PL803-7](#) [980-8666-005](#) [1200690078](#) [1-201144-1](#) [R107003010W](#) [R110A172100](#)