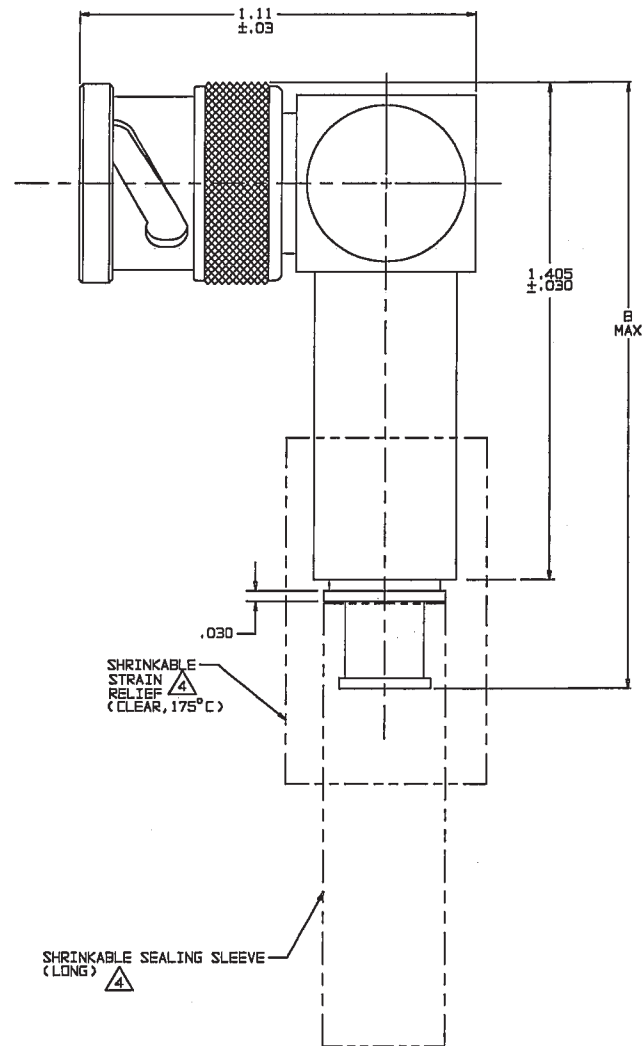
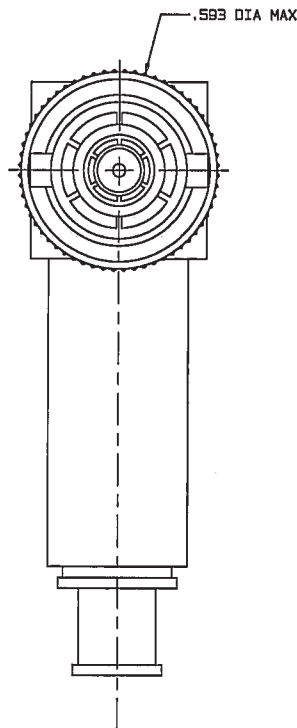


RED INDICATES ORIGINAL

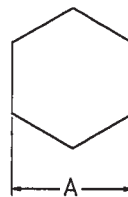
DATA CONTAINED IN THIS DOCUMENT IS PROPRIETARY TO TROMPETER ELECTRONICS INC. AND SHALL NOT BE DISCLOSED, COPIED OR USED FOR PROCUREMENT OR MANUFACTURE WITHOUT EXPRESS WRITTEN PERMISSION.

REVISIONS			310-0075	SH 1	
REV	EO	DESCRIPTION	OWN	APPROVED	DATE
H	12388	ADDED -224 & -225; SEE ECO	DBN	WM/AM	5/18/98

DASH NO	CABLES ACCOMMODATED	A HEX	B DIM	ASSEMBLE PER	INCH	MM
-201	M17/176-00002	.344	1.76	TAI-169	.005	0.13
-202	TWC-78-1				.030	0.76
-203	TWC-124-1A				.344	8.74
-204	10602 RAYCHEM				.593	15.08
-205	TWAC-78-1F2				1.00	25.40
-206	782600130 RAYCHEM				1.11	28.19
-207	83310 BELDEN				1.25	31.75
-208	202-3927 MICRODDOT				1.405	35.89
-209	202-3942 MICRODDOT				1.47	37.34
-210	8451 BELDEN				1.75	44.45
-211	202-3934 MICRODDOT	1.47	TAI-161	1.76	44.70	
-212	2524E0114 RAYCHEM					
-213	TWC-78-2					
-214	TWC-124-2					
-215	BL-982 TIMES					
-216	BL-1242 TIMES					
-217	GC875TH24H GRUMMAN					
-218	EPD 221888 RAYCHEM					
-219	252601114, RAYCHEM					
-220	GC875RR1, GRUMMAN			1.76	TAI-169	1.76
-221	10614, RAYCHEM					
-222	10613, RAYCHEM					
-223	HMS2-1149, HUGHES					
-224	FWCP-124-3					
-225	PS665PL, PRIME STOCK					
-301	GC875GC1, GRUMMAN					
-302	GC875GB1, GRUMMAN					
-303	7528A5314, RAYCHEM					
-304						
-305	M17/177-00001, THERMATICS	1.47	TAI-178	1.47	37.34	
-306	TRC-50-2					
-307	M17/134-00002					
-308	TRC-75-1					
-309	TRC-75-2	1.76	TAI-154	1.76	44.70	
-308	TRC-75-2					
-309	TRC-50-1					

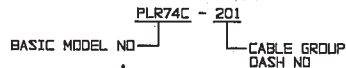


-201 SHOWN



RECOMMENDED
HEX CRIMP

5. EXAMPLE OF COMPLETE MODEL NO:



4. 1 SHRINKABLE STRAIN RELIEF AND/OR SHRINKABLE SEALING SLEEVE SUPPLIED LOOSE AS FOLLOWS:

- a. CABLE GROUPS -201 THROUGH -210, -217 THROUGH -303, -305, -307 & -308
 - 1 SHRINKABLE STRAIN RELIEF (1.00 LONG)
 - 1 SHRINKABLE SEALING SLEEVE (1.25 LONG)
- b. CABLE GROUPS -211 THROUGH -216, -306 & -308
 - 1 SHRINKABLE STRAIN RELIEF (1.75 LONG)

3. 2-LUG BAYONET CONCENTRIC TWINAX/TRIAX TRB RIGHT ANGLE FULL CRIMP CABLE PLUG

2. FINISH: TFS-1A (NICKEL)

1. ALL DIM ARE IN INCHES

QTY	DESCRIPTION	PART NUMBER	ITEM
TOL UNLESS SPECIFIED *.XX ± *.XXX ± .005 *.XXXX ± .0002 ANGLES	TROMPETER RF connectivity	PLR74C	
DWN	DBN 4/25/98	MATERIAL	CODE IDENT
CHK	KM 4-27-98	14949	DRAWING NO.
ENGR		310-0075	REV
APPR	WM/AM 5/18/98	SCALE 4/1	DATE 9-25-89
NEXT ASSY			SHEET 1 OF 2

X-ON Electronics

Largest Supplier of Electrical and Electronic Components

Click to view similar products for [RF Connectors / Coaxial Connectors](#) category:

Click to view products by [Bel Fuse](#) manufacturer:

Other Similar products are found below :

[8915-1511-000](#) [89674-0827](#) [6001-7071-019](#) [6002-7051-003](#) [6002-7551-202](#) [6059674-1](#) [619550-1](#) [630059-000](#) [M39030/3-01N](#) [6500-7071-046](#) [6769](#) [CX050L2AQ](#) [7002-1541-010](#) [7002-1542-011](#) [7004-1512-000](#) [7009-1511-004](#) [7010-1511-000](#) [7029-1511-060](#) [7101-1541-010](#) [7101-1571-002](#) [7145-1521-002](#) [7203-1571-003](#) [7209-1511-011](#) [7210-1511-015](#) [7210-1511-019](#) [73137-5015](#) [73216-2241](#) [73404-2300](#) [7405-1521-005](#) [7405-1521-802](#) [8527](#) [8547](#) [FS11V](#) [877931](#) [8808-1511-001](#) [9049-9513-000](#) [9074-9513-000](#) [9101-9573-002](#) [910A205F](#) [9130-9573-002](#) [PL11SC-026](#) [PL375-33](#) [PL40-5](#) [PL74C-221](#) [PL75MC-217](#) [PL803-7](#) [1200690078](#) [1-201144-1](#) [R107003010W](#) [R110A172100](#)