

TABLE 1	
DASH NO	DESCRIPTION
-1	CAP (NO CHAIN)
-2	CAP WITH 2.5 INCH BRASS CHAIN
-3	CAP WITH 2.5 INCH NYLON CHAIN
-4	CAP WITH 3.0 INCH BRASS CHAIN
-5	CAP WITH 3.0 INCH NYLON CHAIN
-6	CAP WITH 6.0 INCH BRASS CHAIN
-7	CAP WITH 6.0 INCH NYLON CHAIN
-8	CAP WITH 4.0 INCH BRASS CHAIN
-9	CAP WITH 4.0 INCH NYLON CHAIN
-10	CAP WITH 10.0 INCH BRASS CHAIN
-11	CAP WITH 10.0 INCH NYLON CHAIN
-12	CAP WITH 2.5 INCH SST ROPE
-13	CAP WITH 3.0 INCH SST ROPE
-14	CAP WITH 6.0 INCH SST ROPE
-15	CAP WITH 4.0 INCH SST ROPE
-16	CAP WITH 7.0 INCH SST ROPE
-17	CAP WITH 4.5 INCH SST ROPE
-18	CAP WITH 12 INCH SST ROPE

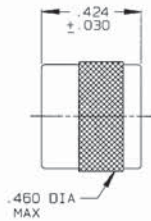
TABLE 2	
MODEL NO	TYPE
RF155	3-LUG
RF155FL	4-LUG
RF155SFL	4-LUG
RF1355	THREADED
RF1355S	THREADED

TABLE 3				
DASH NO	"A" DIA	"B" DIA	"C" DIM	"D" DIM
-02	.630	.750	1.066	.450
-03	.505	.625	.941	.388
-04	.439	.562	.878	.355
-05	.380	.500	.816	.325
-06	.317	.437	.753	.295
-07	.281	.406	.722	.278
-08	.610	.750	1.066	.450
-09	.567	.687	1.003	.419
-010	.192	.312	.628	.231
-DD8	.330	.450	.766	.300

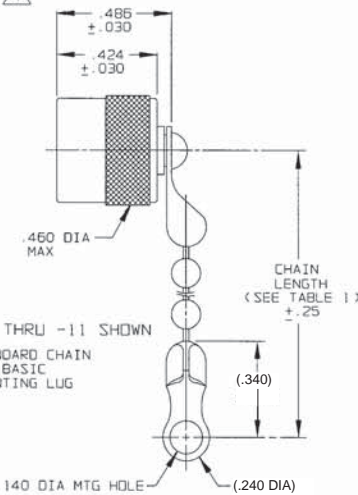
DATA CONTAINED IN THIS DOCUMENT IS PROPRIETARY TO TROMPETER ELECTRONICS INC AND SHALL NOT BE DISCLOSED, COPIED OR USED FOR REPRODUCTION IN ANY MANNER WITHOUT EXPRESS WRITTEN PERMISSION OF TROMPETER ELECTRONICS INC.

REVISIONS		1-0151	SH 1
REV	DESCRIPTION	DATE	APPROVED
M	REVISED PER ECO 15018	4-10-03	<i>gmk</i>

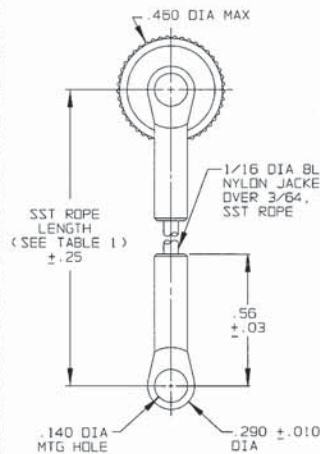
RED INDICATES ORIGINAL



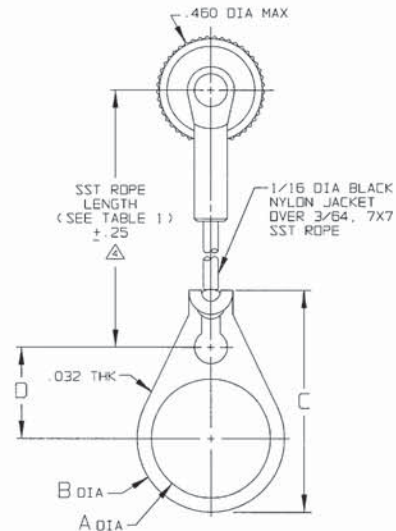
-1 SHOWN  
NO STAINLESS STEEL ROPE CHAIN OR MOUNTING LUG



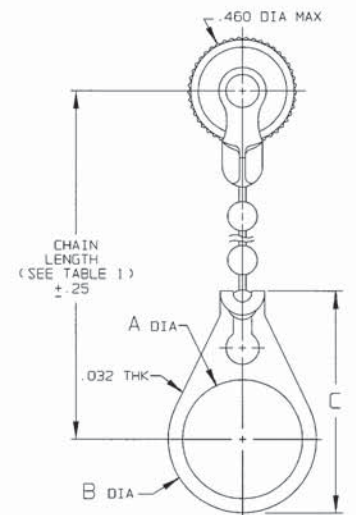
-2 THRU -11 SHOWN  
STANDARD CHAIN AND BASIC MOUNTING LUG



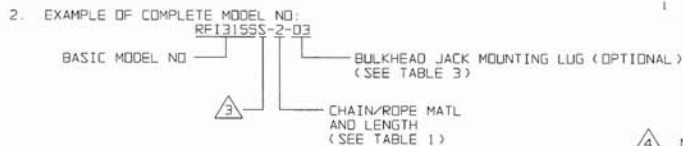
-12 THRU -18 SHOWN  
STAINLESS STEEL ROPE AND BASIC MOUNTING LUG



-12-02 THRU -18-008 SHOWN  
STAINLESS STEEL ROPE AND BULKHEAD JACK MOUNTING LUG



-2-02 THRU -DD8 SHOWN  
STANDARD CHAIN AND BULKHEAD JACK MOUNTING LUG



1. MALE 3 & 4-LUG & THREADED STYLE SUBMINIATURE RFI DUST CAP WITH OR WITHOUT CHAIN OR JACKETED STAINLESS STEEL ROPE AND MOUNTING OPTION

NOTE THAT CHAIN LENGTH FOR SST ROPE WITH MOUNTING LUG OPTION IS NOT MEASURED TO CENTER OF BULKHEAD MOUNTING LUG

IF SAFETY WIRE REQUIRED ADD SUFFIX "S" TO MODEL NO. (i.e. RF13155S)

DATE	4-9-03
BY	<i>gmk</i>
CHECKED	<i>gmk</i>
DATE	4/9/03
BY	<i>gmk</i>
CHECKED	<i>gmk</i>
DATE	4/10/03
BY	<i>gmk</i>
CHECKED	<i>gmk</i>
DATE	4/10/03
BY	<i>gmk</i>



TITLE: RFI55/RF155/RF155FL/RF1155FL/RF1355/RF13155

SIZE: B CAGE CODE: 14949 DRAWING NO: 1-0151 REV. M

NEXT ASSY: 1-0151H DO NOT SCALE DIM: SCALE: 2/1 DATE: 2-22-77 SHEET: 1C

## X-ON Electronics

Largest Supplier of Electrical and Electronic Components

*Click to view similar products for [RF Connector Accessories](#) category:*

*Click to view products by [Bel Fuse](#) manufacturer:*

Other Similar products are found below :

[89674-0712](#) [F702RX24](#) [FERRULE-174](#) [R141802000](#) [R141805000](#) [R141842000](#) [R161862000](#) [R161862000W](#) [R280752000](#) [R280907000](#)  
[R694261906](#) [RFI21-13](#) [RFI75-13-D2](#) [RFI75-4-D2](#) [AX102906](#) [AX102907](#) [18097-0013](#) [HP-375](#) [HP-500](#) [2098-0294-00](#) [2098-3251-94](#) [KA-](#)  
[81-05](#) [89674-0805](#) [F1](#) [FERRULE-223](#) [202102-11](#) [213337-1](#) [220222-2](#) [24092671A](#) [24092678A](#) [R280468000](#) [R280510000](#) [R282862060](#)  
[RFI155-1](#) [RFI25-12-D3](#) [RFI25-5](#) [RFI25-5-D3](#) [RFI75-12-D2](#) [RFI75-2-D2](#) [RFI75-4-D3](#) [RFI77-6](#) [360HS001M2508M6](#) [4-1532137-4](#) [5-21085-](#)  
[0](#) [105274-1000](#) [111062-0490](#) [112122-SOD-LUG](#) [112-NUT-KNURL](#) [IPP-2014](#) [R280490020](#)