

TABLE 1	
DASH NO	DESCRIPTION
-1	NO CHAIN
-2	2.5 BRASS CHAIN
-3	2.5 NYLON CHAIN
-4	3.0 BRASS CHAIN
-5	3.0 NYLON CHAIN
-6	6.0 BRASS CHAIN
-7	6.0 NYLON CHAIN
-8	4.0 BRASS CHAIN
-9	4.0 NYLON CHAIN
-10	10.0 BRASS CHAIN
-11	10.0 NYLON CHAIN
-12	2.5 SST ROPE
-13	3.0 SST ROPE
-14	6.0 SST ROPE
-15	4.0 SST ROPE
-16	7.0 SST ROPE
-17	4.5 SST ROPE
-18	12.0 SST ROPE
-19	18.0 SST ROPE

TABLE 2				
DASH NO	ØA	ØB	C DIM	D DIM
-D1	.755	.875	1.191	.513
-D2	.630	.750	1.066	.450
-D3	.505	.625	.941	.388
-D4	.439	.562	.878	.355
-D5	.380	.500	.816	.325
-D6	.317	.437	.753	.295
-D7	.281	.406	.722	.278
-D8	.610	.750	1.066	.450
-D9	.567	.687	1.003	.419
-D10	.192	.312	.628	.231
-DD8	.330	.450	.766	.300

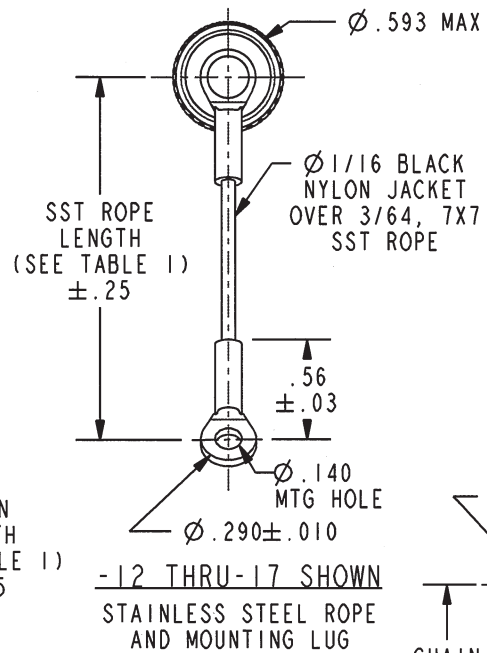
DATA CONTAINED IN THIS DOCUMENT IS PROPRIETARY TO TROMPETER ELECTRONICS INC. AND SHALL NOT BE DISCLOSED, COPIED OR USED FOR PROCUREMENT OR MANUFACTURE WITHOUT EXPRESS WRITTEN PERMISSION.

REVISIONS			
REV	DESCRIPTIONS	DATE	APPROVED
M	REVISED PER ECO # 16846	2/6/09	RM/CS

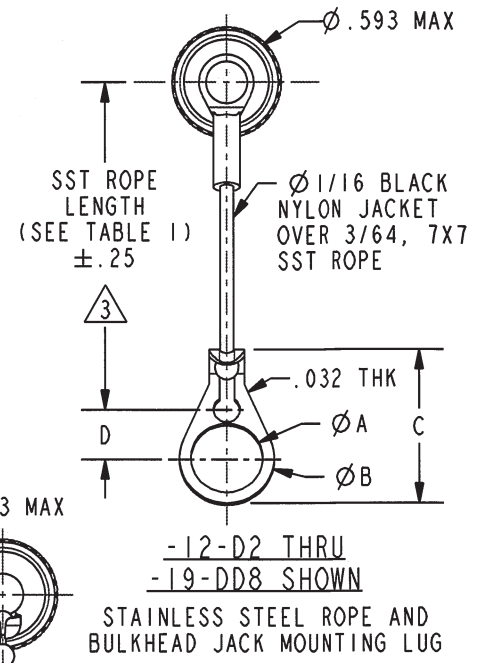


-1 SHOWN  
NO CHAIN OR MOUNTING LUG

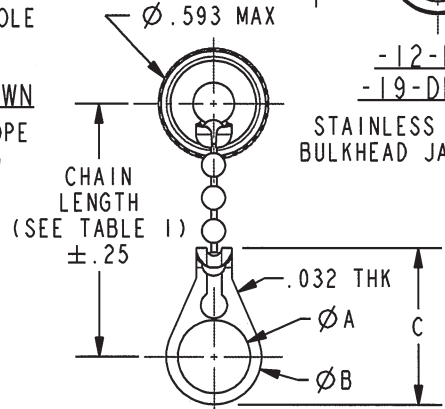
-2 THRU -11 SHOWN  
STANDARD CHAIN AND MOUNTING LUG



-12 THRU -17 SHOWN  
STAINLESS STEEL ROPE AND MOUNTING LUG



-12-D2 THRU -19-DD8 SHOWN  
STAINLESS STEEL ROPE AND BULKHEAD JACK MOUNTING LUG

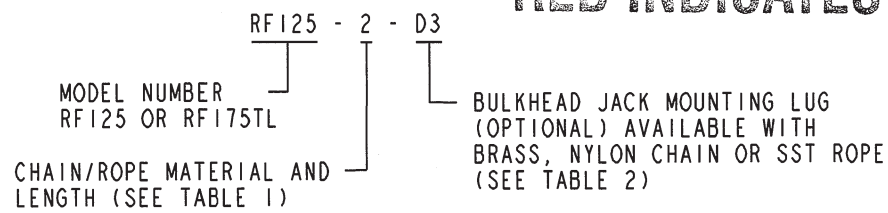


-2-D2 THRU -11-DD8 SHOWN  
STANDARD CHAIN AND BULKHEAD JACK MOUNTING LUG

NOTE: LENGTHS FOR STAINLESS STEEL ROPE WITH MOUNTING LUG OPTION IS NOT MEASURED TO CENTER OF BULKHEAD MOUNTING LUG

2. EXAMPLE OF COMPLETE MODEL NUMBER:

**RED INDICATES ORIGINAL**



1. MALE BNC/2-LUG TRB CAP WITH CHAIN/ROPE AND MOUNTING LUG OPTIONS

NOTES: UNLESS OTHERWISE SPECIFIED.

INTERPRET DRAWING PER MIL-STD-100. DIMENSIONS ARE IN INCHES AND INCLUDE FINISH THICKNESS UNLESS OTHERWISE SPECIFIED.	TOL: UNLESS SPECIFIED. .XX ± .02 .XXX ± .010 ANGLE ± 1°	<b>TROMPETER</b> RF connectivity <small>a cinch connectivity solutions brand</small>	
DRN J.CARPENTER 01-27-09	MATERIAL:	TITLE: RF125/RF175TL	
CHK M 2/6/09	QUALITY	SIZE <b>A 14949</b>	
MANUF	FINISH:	DRAWING NO. 305-0029	
APPROVED M 2/6/09	PROVE FILE NO. 305-0029	SCALE 1/1	REV. M
NEXT ASSY	DO NOT SCALE DWG	DATE 9-11-69	SHEET 1C

## X-ON Electronics

Largest Supplier of Electrical and Electronic Components

*Click to view similar products for [RF Connector Accessories](#) category:*

*Click to view products by [Bel Fuse](#) manufacturer:*

Other Similar products are found below :

[89674-0712](#) [F702RX24](#) [FERRULE-174](#) [R141802000](#) [R141805000](#) [R141842000](#) [R161862000](#) [R161862000W](#) [R280752000](#) [R280907000](#)  
[R694261906](#) [RFI21-13](#) [RFI75-13-D2](#) [RFI75-4-D2](#) [AX102906](#) [AX102907](#) [18097-0013](#) [HP-375](#) [HP-500](#) [2098-0294-00](#) [2098-3251-94](#) [KA-](#)  
[81-05](#) [89674-0805](#) [F1](#) [FERRULE-223](#) [202102-11](#) [213337-1](#) [220222-2](#) [24092671A](#) [24092678A](#) [R280468000](#) [R280510000](#) [R282862060](#)  
[RFI155-1](#) [RFI25-12-D3](#) [RFI25-5](#) [RFI25-5-D3](#) [RFI75-12-D2](#) [RFI75-2-D2](#) [RFI75-4-D3](#) [RFI77-6](#) [360HS001M2508M6](#) [4-1532137-4](#) [5-21085-](#)  
[0](#) [105274-1000](#) [111062-0490](#) [112122-SOD-LUG](#) [112-NUT-KNURL](#) [IPP-2014](#) [R280490020](#)