

# RED INDICATES ORIGINAL

DATA CONTAINED IN THIS DOCUMENT IS PROPRIETARY TO TROMPETER ELECTRONICS, INC. AND SHALL NOT BE DISCLOSED, COPIED OR USED FOR REPRODUCTION OR MANUFACTURE WITHOUT EXPRESS WRITTEN PERMISSION.

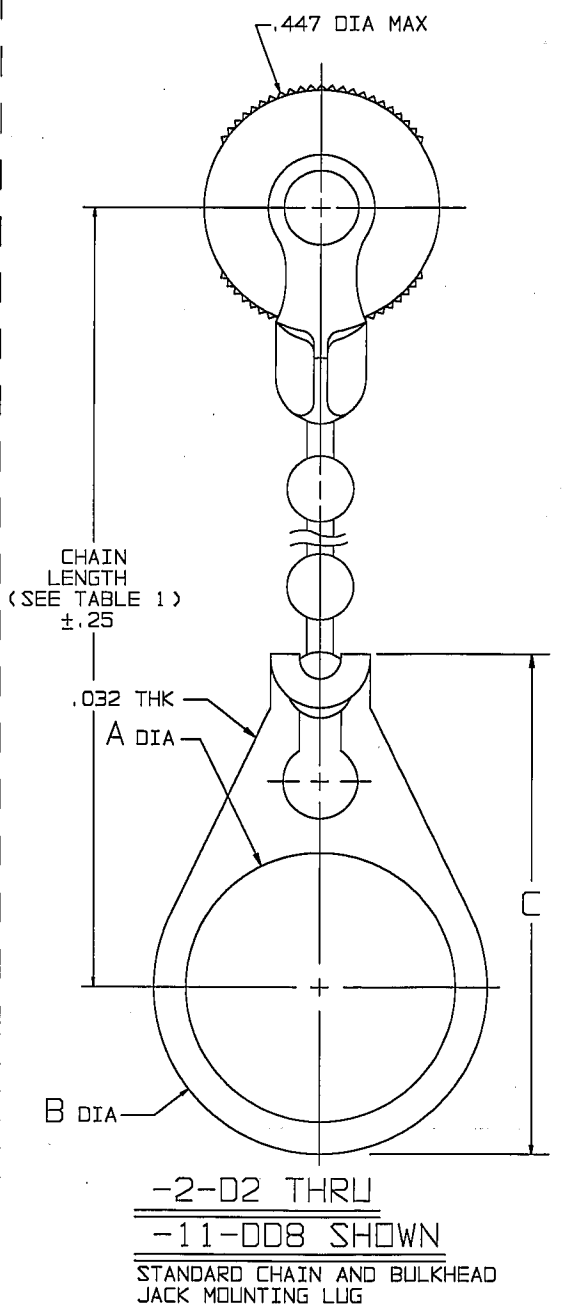
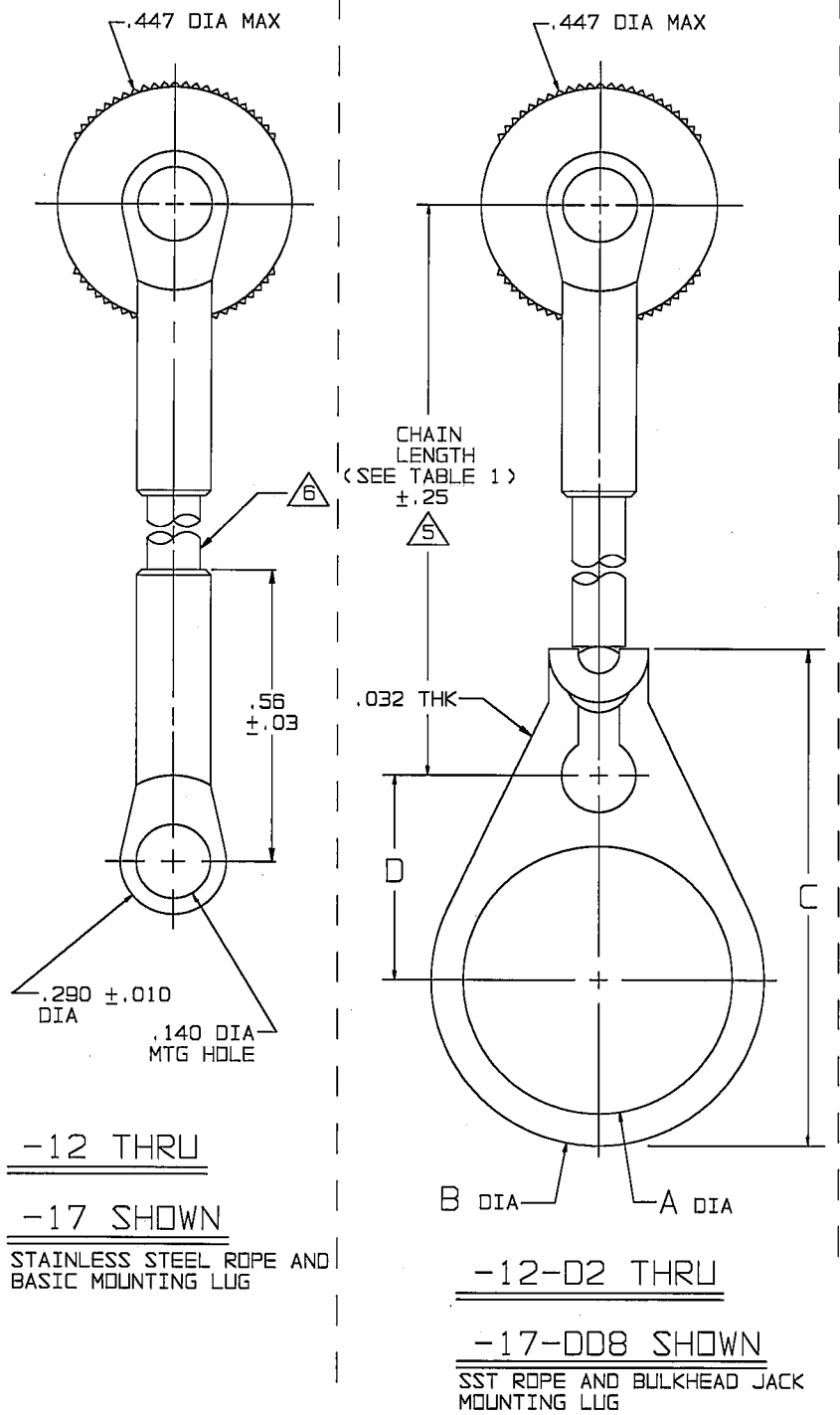
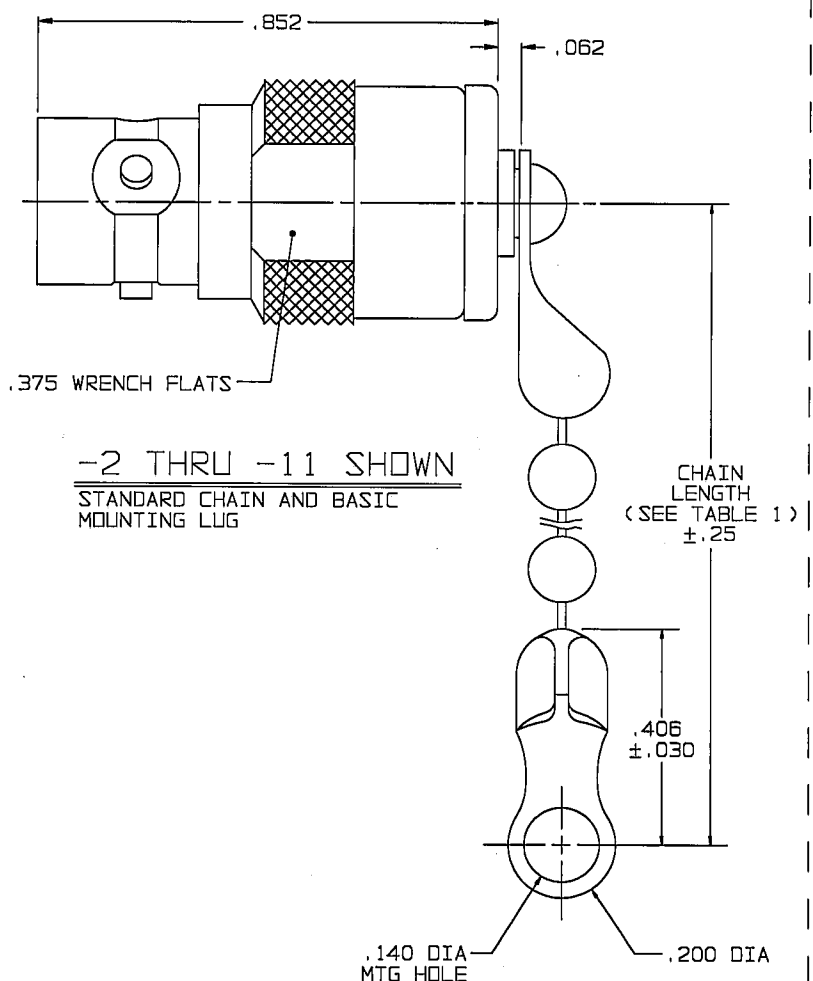
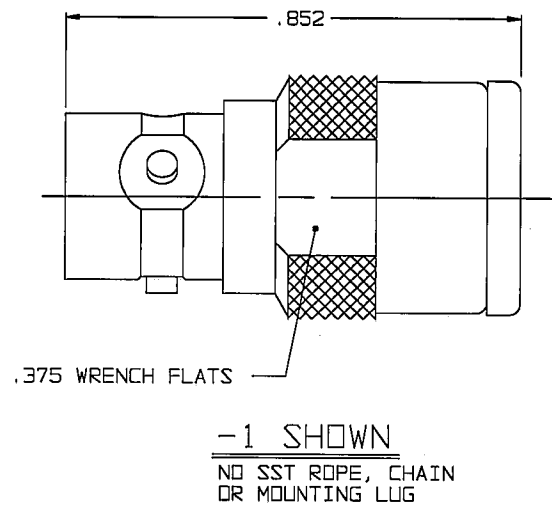
REV		ED	DESCRIPTION	DWN	APPROVED	DATE
A		12358	REVISED GENERAL UPDATE; SEE ECC	DKC	<i>WM/KC</i>	98

DASH NO	DESCRIPTION
-1	CAP (NO CHAIN)
-2	CAP WITH 2.5 INCH BRASS CHAIN
-3	CAP WITH 2.5 INCH NYLON CHAIN
-4	CAP WITH 3.0 INCH BRASS CHAIN
-5	CAP WITH 3.0 INCH NYLON CHAIN
-6	CAP WITH 6.0 INCH BRASS CHAIN
-7	CAP WITH 6.0 INCH NYLON CHAIN
-8	CAP WITH 4.0 INCH BRASS CHAIN
-9	CAP WITH 4.0 INCH NYLON CHAIN
-10	CAP WITH 10.0 INCH BRASS CHAIN
-11	CAP WITH 10.0 INCH NYLON CHAIN
-12	CAP WITH 2.5 INCH SST ROPE
-13	CAP WITH 3.0 INCH SST ROPE
-14	CAP WITH 6.0 INCH SST ROPE
-15	CAP WITH 4.0 INCH SST ROPE
-16	CAP WITH 7.0 INCH SST ROPE
-17	CAP WITH 4.5 INCH SST ROPE

MODEL NO	LTR CODE	TYPE
RFI157	A	3-LUG
RFI157FL	B	4-LUG
RFI357	C	THREADED

DASH NO	TABLE 3			
	*A* DIA	*B* DIA	*C* DIM	*D* DIM
-02	.630	.750	1.066	.450
-03	.505	.625	.941	.388
-04	.439	.562	.878	.355
-05	.380	.500	.816	.325
-06	.317	.437	.753	.295
-07	.281	.406	.722	.278
-08	.610	.750	1.066	.450
-09	.567	.687	1.003	.419
-0DB	.330	.450	.925	.300

INCH	MM	INCH	MM	INCH	MM	INCH	MM	INCH	MM	INCH	MM
.005	0.13	.290	7.37	.406	10.31	.567	14.40	.878	22.30		
.010	0.25	.295	7.49	.419	10.64	.610	15.49	.925	23.50		
.030	0.76	.300	7.62	.437	11.10	.625	15.88	.941	23.90		
.032	0.81	.317	8.05	.439	11.15	.630	16.00	1.003	25.48		
.062	1.58	.325	8.26	.447	11.35	.667	17.45	1.066	27.08		
.140	3.56	.330	8.38	.450	11.43	.722	18.34	2.5	63.50		
.200	5.08	.355	9.02	.500	12.70	.750	19.05	3.0	76.20		
.25	6.35	.375	9.53	.505	12.83	.753	19.13	4.0	101.60		
.278	7.06	.380	9.65	.56	14.22	.816	20.73	6.0	152.40		
.281	7.14	.388	9.86	.562	14.28	.852	21.64	7.0	177.80		



- Ⓟ 1/16 DIA BLACK NYLON JACKET OVER 3/64, 7 X 7 SST ROPE
- Ⓠ NOTE THAT CHAIN LENGTH FOR SST ROPE WITH MOUNTING LUG OPTION IS NOT MEASURED TO CENTER OF BULKHEAD MOUNTING LUG
- 4. EXAMPLE OF COMPLETE MODEL NO:  

RFI157-2-03	
BASIC MODEL NO	BULKHEAD JACK MOUNTING LUG (OPTIONAL) (SEE TABLE 3)
	CHAIN/ROPE MATL AND LENGTH (SEE TABLE 1)
- 3. MALE 3 & 4-LUG & THREADED STYLE SUBMINIATURE RFI DUST CAP WITH OR WITHOUT CHAIN OR JACKETED STAINLESS STEEL ROPE AND MOUNTING OPTION
- 2. FINISH: TFS-1A (NICKEL)
- 1. ALL DIM ARE IN INCHES

QTY	DESCRIPTION	PART NUMBER	ITEM
TOL UNLESS SPECIFIED	TROMPETER ELECTRONICS, INC.	RFI157/RFI157FL/RFI357FL/RFI157FL/RFI357/RFI3157	
DWN DKC 5-20-98	MATERIAL	CODE IDENT	DRAWING NO.
CHK TAM 5-29-98		14949	1-0067
ENGR			REV A
APPR	SCALE 6/1	DATE 8-18-89	SHEET 1 OF 2

## X-ON Electronics

Largest Supplier of Electrical and Electronic Components

*Click to view similar products for [RF Connector Accessories](#) category:*

*Click to view products by [Bel Fuse](#) manufacturer:*

Other Similar products are found below :

[89674-0712](#) [F702RX24](#) [FERRULE-174](#) [R141802000](#) [R141805000](#) [R141842000](#) [R161862000](#) [R161862000W](#) [R280752000](#) [R280907000](#)  
[R694261906](#) [RFI21-13](#) [RFI75-13-D2](#) [RFI75-4-D2](#) [AX102906](#) [AX102907](#) [18097-0013](#) [HP-375](#) [HP-500](#) [2098-0294-00](#) [2098-3251-94](#) [KA-](#)  
[81-05](#) [89674-0805](#) [F1](#) [FERRULE-223](#) [202102-11](#) [213337-1](#) [220222-2](#) [24092671A](#) [24092678A](#) [R280468000](#) [R280510000](#) [R282862060](#)  
[RFI155-1](#) [RFI25-12-D3](#) [RFI25-5](#) [RFI25-5-D3](#) [RFI75-12-D2](#) [RFI75-2-D2](#) [RFI75-4-D3](#) [RFI77-6](#) [360HS001M2508M6](#) [4-1532137-4](#) [5-21085-](#)  
[0](#) [105274-1000](#) [111062-0490](#) [112122-SOD-LUG](#) [112-NUT-KNURL](#) [IPP-2014](#) [R280490020](#)