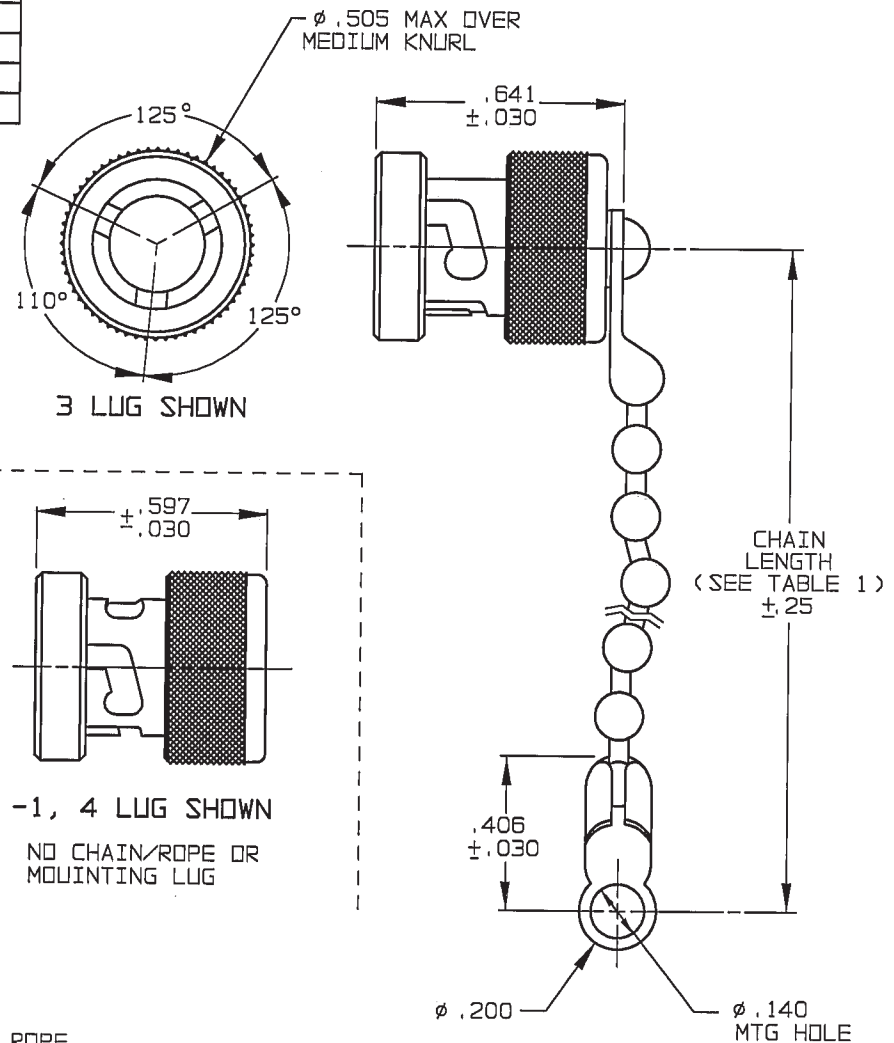


DATA CONTAINED IN THIS DOCUMENT IS PROPRIETARY TO TROMPETER ELECTRONICS INC. AND SHALL NOT BE DISCLOSED, COPIED OR USED FOR PROCUREMENT OR MANUFACTURE WITHOUT EXPRESS WRITTEN PERMISSION OF TROMPETER ELECTRONICS INC.

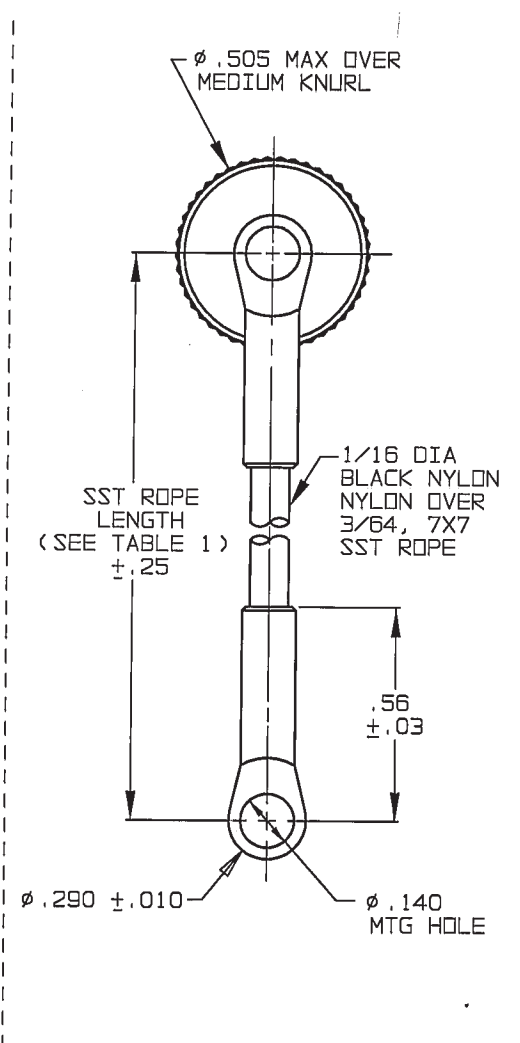
REVISIONS		1-0064	SH 1C
REV	DESCRIPTION	DATE	APPROVED
H	REVISED PER ECO #13746	12/11/00	<i>[Signature]</i>

DASH NO	DESCRIPTION
-1	CAP (NO CHAIN)
-2	CAP WITH 2.5 BRASS CHAIN
-3	CAP WITH 2.5 NYLON CHAIN
-4	CAP WITH 3.0 BRASS CHAIN
-5	CAP WITH 3.0 NYLON CHAIN
-6	CAP WITH 6.0 BRASS CHAIN
-7	CAP WITH 6.0 NYLON CHAIN
-8	CAP WITH 4.0 BRASS CHAIN
-9	CAP WITH 4.0 NYLON CHAIN
-10	CAP WITH 10.0 BRASS CHAIN
-11	CAP WITH 10.0 NYLON CHAIN
-12	CAP WITH 2.5 SST ROPE
-13	CAP WITH 3.0 SST ROPE
-14	CAP WITH 6.0 SST ROPE
-15	CAP WITH 4.0 SST ROPE
-16	CAP WITH 7.0 SST ROPE
-17	CAP WITH 4.5 SST ROPE

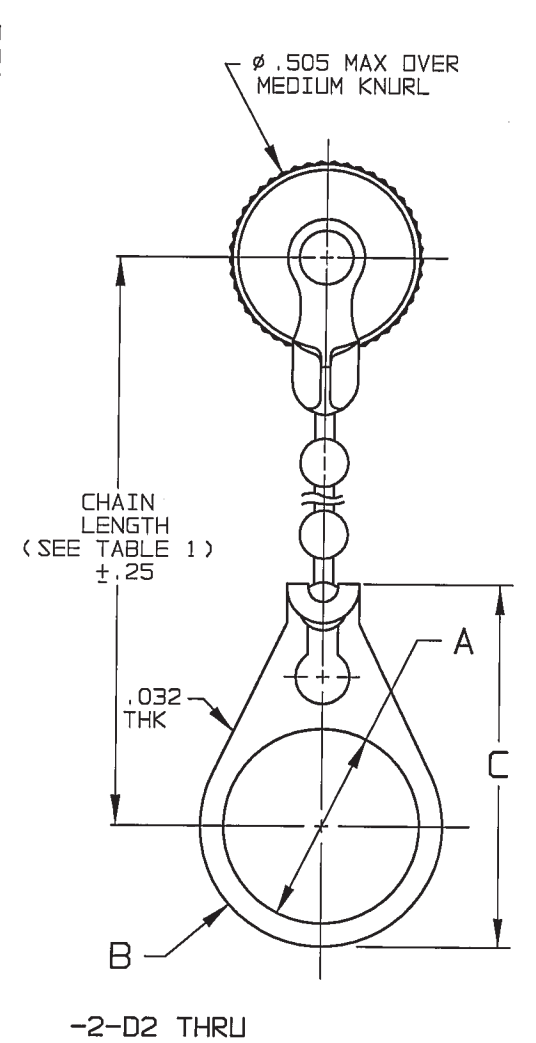
DASH NO	"A" ϕ	"B" ϕ	"C" DIM	"D" DIM
-02	.630	.750	1.066	.450
-03	.505	.625	.941	.388
-04	.439	.562	.878	.355
-05	.380	.500	.816	.325
-06	.317	.437	.753	.295
-07	.281	.406	.722	.278
-08	.610	.750	1.066	.450
-09	.567	.687	1.003	.419
-008	.330	.450	.766	.300



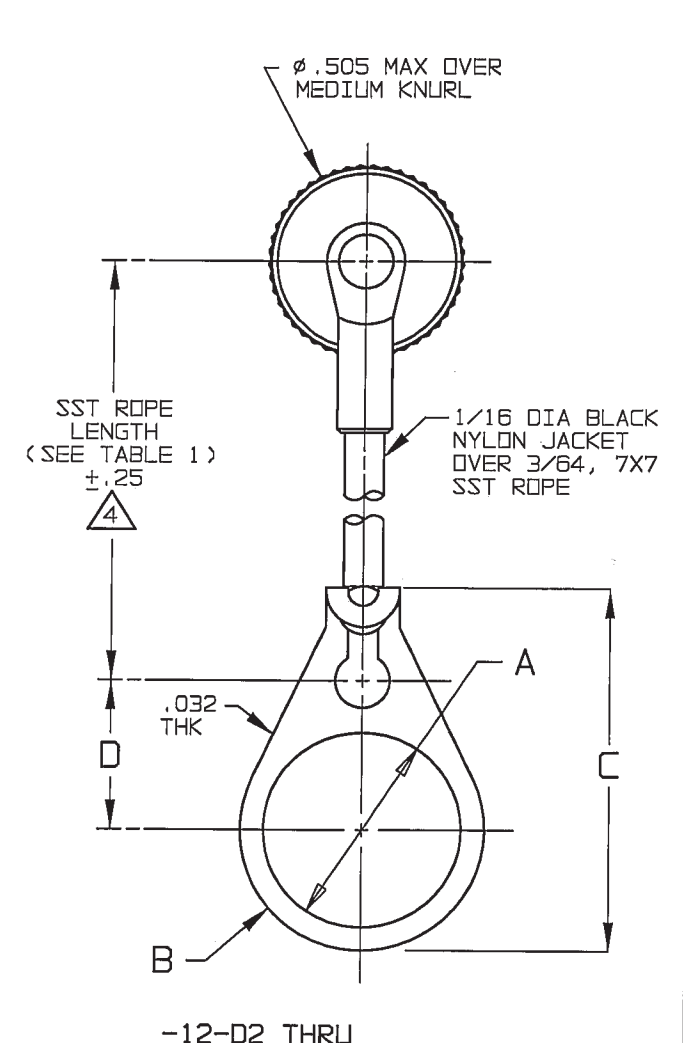
-2 THRU
-11 SHOWN
STANDARD CHAIN
AND MOUNTING LUG



-12 THRU
-17 SHOWN
STAINLESS STEEL ROPE
AND MOUNTING LUG



-2-D2 THRU
-11-DD8 SHOWN
STANDARD CHAIN AND BULKHEAD
JACK MOUNTING LUG



-12-D2 THRU
-17-DD8 SHOWN
STAINLESS STEEL ROPE AND
BULKHEAD JACK MOUNTING LUG

NOTE THAT LENGTH FOR SST ROPE WITH MOUNTING LUG OPTION IS NOT MEASURED TO CENTER OF BULKHEAD MOUNTING LUG

3. EXAMPLE OF COMPLETE MODEL NO:
RFI455-2-D3
BASIC MODEL NO:
RFI455 (3 LUG)
RFI455FL (4 LUG)
BULKHEAD JACK MOUNTING LUG (OPTIONAL) AVAILABLE WITH BRASS & NYLON CHAIN OR SST ROPE (SEE TABLE 2)
CHAIN/ROPE MATL AND LENGTH (SEE TABLE 1)

2. 3 & 4 LUG RFI DUST CAP WITH & WITHOUT CHAIN/ROPE OR MOUNTING LUG OPTIONS

1. FINISH: TFS-1U (500 HRS SALT SPRAY)

INTERPRET DRAWING PER MIL-STD-100 DIMENSIONS ARE IN INCHES AND INCLUDE FINISH THICKNESS UNLESS OTHERWISE SPECIFIED		TOL: UNLESS SPECIFIED .XX .XXX ±.010 .XXXX ANGLES			
DRAWN DKC DATE 12-7-00		MATERIAL:			
CHECKED <i>[Signature]</i> DATE 12/8/00		FINISH: SEE NOTE: 1		TITLE: RFI455/ RFI455FL	
APPROVED <i>[Signature]</i> DATE 12-11-00		CAD FILE NO. 1-0064H1		SIZE B CAGE CODE 14949	DRAWING NO. 1-0064
NEXT ASSY.		DO NOT SCALE DWG		SCALE 2/1	DATE: 6-8-87 SHEET 1C

X-ON Electronics

Largest Supplier of Electrical and Electronic Components

Click to view similar products for [RF Connector Accessories](#) category:

Click to view products by [Bel Fuse](#) manufacturer:

Other Similar products are found below :

[89674-0712](#) [F702RX24](#) [FERRULE-174](#) [R141802000](#) [R141805000](#) [R141842000](#) [R161862000](#) [R161862000W](#) [R280752000](#) [R280907000](#)
[R694261906](#) [RFI21-13](#) [RFI75-13-D2](#) [RFI75-4-D2](#) [AX102906](#) [AX102907](#) [18097-0013](#) [HP-375](#) [HP-500](#) [2098-0294-00](#) [2098-3251-94](#) [KA-](#)
[81-05](#) [89674-0805](#) [F1](#) [FERRULE-223](#) [202102-11](#) [213337-1](#) [220222-2](#) [24092671A](#) [24092678A](#) [R280468000](#) [R280510000](#) [R282862060](#)
[RFI155-1](#) [RFI25-12-D3](#) [RFI25-5](#) [RFI25-5-D3](#) [RFI75-12-D2](#) [RFI75-2-D2](#) [RFI75-4-D3](#) [RFI77-6](#) [360HS001M2508M6](#) [4-1532137-4](#) [5-21085-](#)
[0](#) [105274-1000](#) [111062-0490](#) [112122-SOD-LUG](#) [112-NUT-KNURL](#) [IPP-2014](#) [R280490020](#)