

DASH NO	DESCRIPTION
-1	CAP (NO CHAIN)
-2	CAP WITH 2.5 BRASS CHAIN
-3	CAP WITH 2.5 NYLON CHAIN
-4	CAP WITH 3.0 BRASS CHAIN
-5	CAP WITH 3.0 NYLON CHAIN
-6	CAP WITH 5.0 BRASS CHAIN
-7	CAP WITH 5.0 NYLON CHAIN
-8	CAP WITH 4.0 BRASS CHAIN
-9	CAP WITH 4.0 NYLON CHAIN
-10	CAP WITH 10.0 BRASS CHAIN
-11	CAP WITH 10.0 NYLON CHAIN
-12	CAP WITH 2.5 JACKETED STAINLESS STEEL ROPE
-13	CAP WITH 3.0 JACKETED STAINLESS STEEL ROPE
-14	CAP WITH 5.0 JACKETED STAINLESS STEEL ROPE

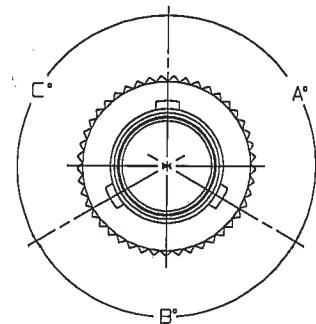
MODEL NO	TYPE CONN	POLARIZATION					COLOR BAND
		A DEGREE	B DEGREE	C DEGREE	D DEGREE		
RF177	3 LUG	120°	120°	120°			
RF177FL	4 LUG	90°	90°	90°	90°		
RF177T	3 LUG	100°	150°	110°		RED	
RF177U		120°	130°	110°		ORANGE	
RF177V		115°	130°	115°		YELLOW	
RF177W		125°	110°	125°		GREEN	
RF177X		130°	100°	130°		BLUE	
RF177Y		110°	140°	110°		VIOLET	
RF177Z		100°	160°	100°		GRAY	
RF177S		135°	135°	90°		WHITE	

DASH NO	"A" DIA	"B" DIA	"C" DIM
-D2	.630	.750	1.066
-D3	.505	.625	.941
-D4	.439	.562	.878
-D5	.380	.500	.816
-D6	.317	.437	.753
-D7	.281	.406	.722
-D8	.610	.750	1.066
-D9	.567	.687	1.003

DATA CONTAINED IN THIS DOCUMENT IS PROPRIETARY TO TROMPETER ELECTRONICS INC. AND SHALL NOT BE DISCLOSED, COPIED OR USED FOR PROCUREMENT OR MANUFACTURE WITHOUT EXPRESS WRITTEN PERMISSION OF TROMPETER ELECTRONICS INC.

REVISIONS		1-0325	SH 1
REV	DESCRIPTION	DATE	APPROVED
N	REVISED PER ECD 14475	4-12-02	W/M

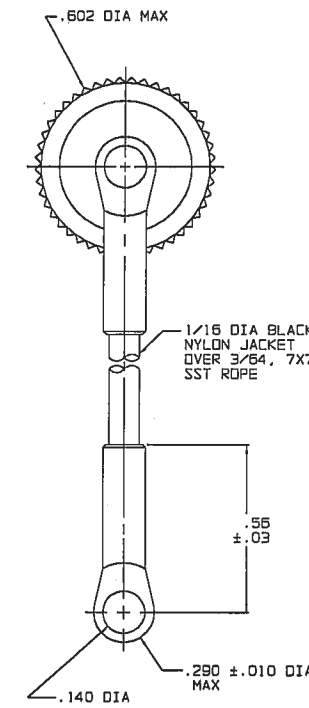
**RED INDICATES ORIGINAL**



-1 SHOWN  
NO CHAIN/ROPE  
OR MOUNTING LUG



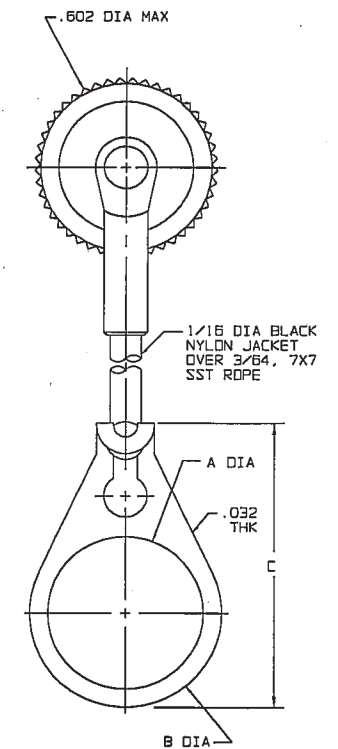
-2 THRU  
-11 SHOWN  
STANDARD CHAIN AND  
MOUNTING LUG



-12-THRU  
-14-SHOWN  
STAINLESS STEEL ROPE  
AND MOUNTING LUG



-2-D2 THRU  
-11-D9 SHOWN  
STANDARD CHAIN AND  
BULKHEAD MOUNTING LUG



-12-D2 THRU  
-14-D9 SHOWN  
STAINLESS STEEL ROPE  
AND MOUNTING LUG

4. EXAMPLE OF COMPLETE MODEL NO:  
RF177 I - 3 - D2
- BASIC MODEL NO:  
RF177 (3-LUG)  
RF177FL (4-LUG)
- POLARIZATION LETTER  
NONE REQUIRED FOR  
STANDARD POLARIZATION  
(SEE TABLE 2)
- BULKHEAD JACK MOUNTING LUG  
(OPTIONAL SEE TABLE 3)
- CHAIN/ROPE MATL & LENGTH  
(SEE TABLE 1)
3. 3 AND 4 LUG BNC STYLE DUST CAP WITH OR WITHOUT  
CHAIN OR SST ROPE AND MOUNTING LUG OPTION
2. FINISH: TFS-1A (NICKEL)
1. ALL DIMENSIONS ARE IN INCHES

INTERPRET DRAWING PER MIL-STD-100 DIMENSIONS ARE IN INCHES AND INCLUDE FINISH THICKNESS UNLESS OTHERWISE SPECIFIED	TOL: UNLESS SPECIFIED .XX .XXX ±.005 .XXXX		TITLE: RF177/RF177FL
DRAWN: AAH CHECKED: [Signature] DATE: 4-12-02 QUALITY: [Signature] DATE: 4-12-02 MANUFACTURED: [Signature] DATE: 4/12/02 APPROVED: [Signature] DATE: 4/12/02	MATERIAL:		SIZE: B CAGE CODE: 14949 DRAWING NO.: 1-0325 REV.: N
NEXT ASSY: CAD FILE NO. 1-0325N1	DO NOT SCALE DWG	SCALE: 2/1	DATE: 8-15-73 SHEET: 1 OF 2

## X-ON Electronics

Largest Supplier of Electrical and Electronic Components

*Click to view similar products for [RF Connector Accessories](#) category:*

*Click to view products by [Bel Fuse](#) manufacturer:*

Other Similar products are found below :

[89674-0712](#) [F702RX24](#) [FERRULE-174](#) [R141802000](#) [R141805000](#) [R141842000](#) [R161862000](#) [R161862000W](#) [R280752000](#) [R280907000](#)  
[R694261906](#) [RFI21-13](#) [RFI75-13-D2](#) [RFI75-4-D2](#) [AX102906](#) [AX102907](#) [18097-0013](#) [HP-375](#) [HP-500](#) [2098-0294-00](#) [2098-3251-94](#) [KA-](#)  
[81-05](#) [89674-0805](#) [F1](#) [FERRULE-223](#) [202102-11](#) [213337-1](#) [220222-2](#) [24092671A](#) [24092678A](#) [R280468000](#) [R280510000](#) [R282862060](#)  
[RFI155-1](#) [RFI25-12-D3](#) [RFI25-5](#) [RFI25-5-D3](#) [RFI75-12-D2](#) [RFI75-2-D2](#) [RFI75-4-D3](#) [RFI77-6](#) [360HS001M2508M6](#) [4-1532137-4](#) [5-21085-](#)  
[0](#) [105274-1000](#) [111062-0490](#) [112122-SOD-LUG](#) [112-NUT-KNURL](#) [IPP-2014](#) [R280490020](#)