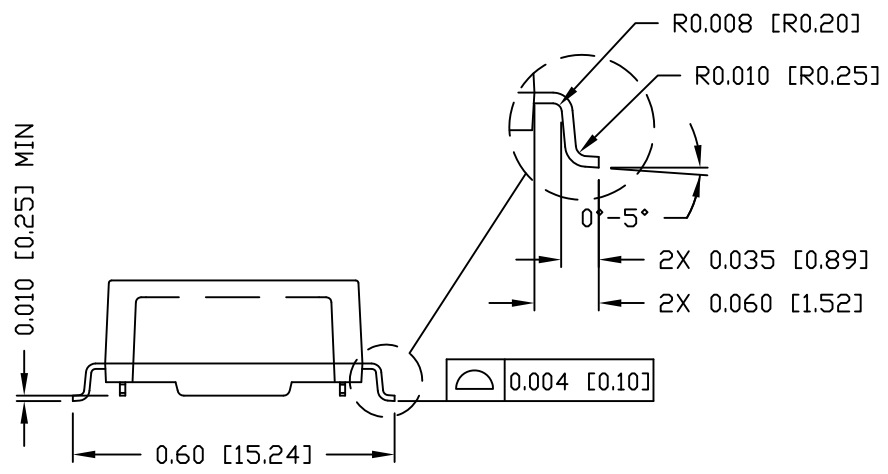
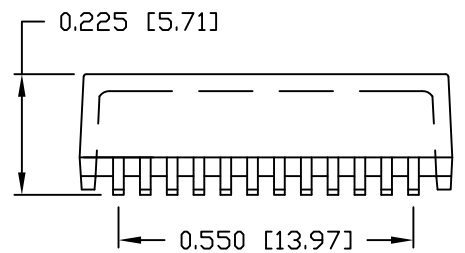
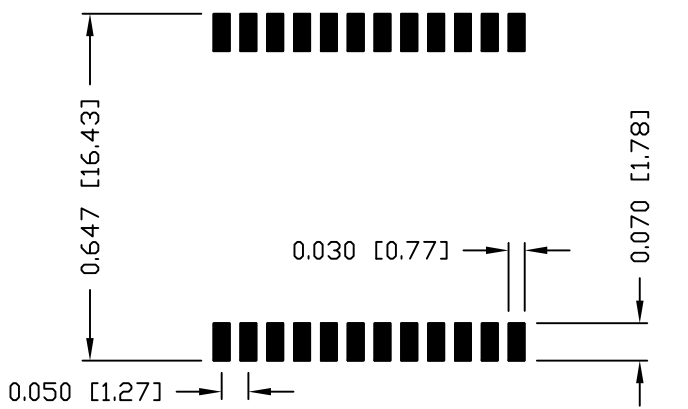
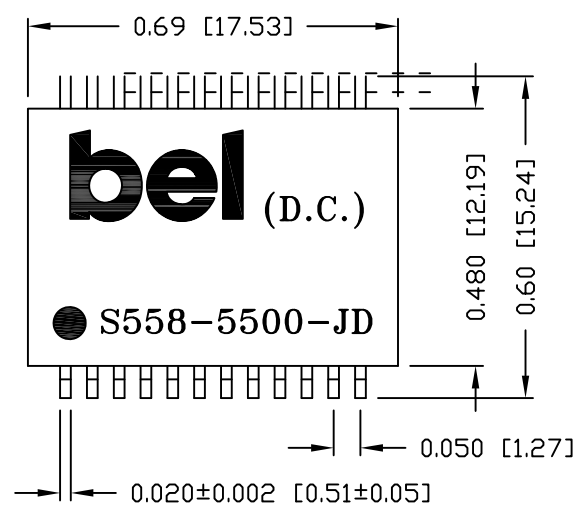


THE INFORMATION CONTAINED HEREIN IS CONSIDERED "PROPRIETARY" TO BEL FUSE INC. AND SHALL NOT BE COPIED, REPRODUCED OR DISCLOSED WITHOUT THE WRITTEN APPROVAL OF BEL FUSE INC.

PRELIMINARY

SUGGESTED PCB PAD LAYOUT



NOTES:

- STANDARD MARKING REFER TO DOC. HAND-WORK-04.
- PACKAGE CODE: "RQS001".

ORIGINATED BY	DATE	TITLE	PART NO. / DRAWING NO.	STANDARD DIM.	[ ] METRIC DIM. AS REF.
Lawrence Tsang	2015-12-17	MECHANICAL OUTLINE	S558-5500-JD	TOL. IN INCH	UNIT : INCH [mm]
DRAWN BY	DATE		FILE NAME	.X	SCALE : N/A
ZC Guo	2015-12-17		S5585500JDPA.DWG	.XX ±0.01	SIZE : A4
				.XXX ±0.005	

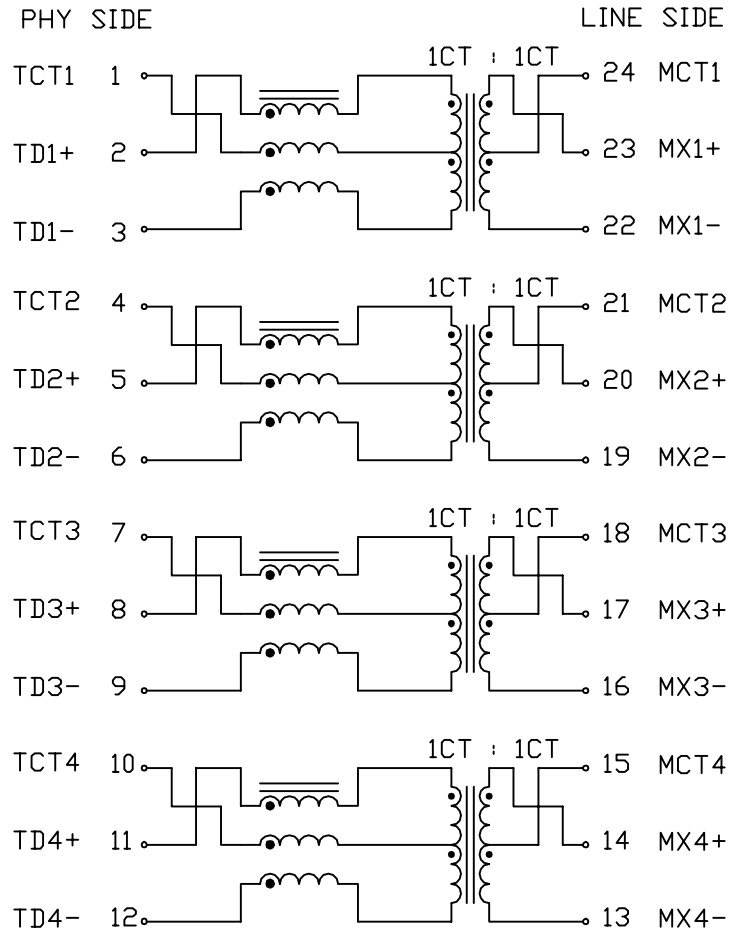
REV. : PA    PAGE : 3

THE INFORMATION CONTAINED HEREIN IS CONSIDERED 'PROPRIETARY' TO BEL FUSE INC. AND SHALL NOT BE COPIED, REPRODUCED OR DISCLOSED WITHOUT THE WRITTEN APPROVAL OF BEL FUSE INC.

RoHS

ELECTRICAL CHARACTERISTICS @25°C

SCHEMATIC



**URNS RATIO**  
 (2-1-3) : (23-24-22) 1CT : 1CT ±2%  
 (5-4-6) : (20-21-19) 1CT : 1CT ±2%  
 (8-7-9) : (17-18-16) 1CT : 1CT ±2%  
 (11-10-12) : (14-15-13) 1CT : 1CT ±2%  
**POLARITY** PER DOT CONVENTION  
**QCL** 100kHz, 100mV  
 0°C TO 70°C 180uH MIN WITH 8mA DC BIAS  
 0°C TO 70°C 120uH MIN WITH 19mA DC BIAS  
**INTERWINDING CAPACITANCE, C<sub>ww</sub>** @1MHz, 20mV  
 30pF MAX

PARAMETER		MAGNITUDE (IN dB)	FREQUENCY (IN MHZ)	
			START	END
INSERTION LOSS	SDD12 , SDD21	-0.004<fMHz>-0.4 MAX	1	150
RETURN LOSS	SDD11 , SDD22	-20 MIN	1	40
		-20+15LOG<f/40MHz> MIN	40	150
ALIEN NEAR END CROSSTALK	SDDXY'	-46+7LOG<f/125MHz> MIN	1	150
NEAR END CROSSTALK	SDDXY	-35 MIN	1	40
		-35+15LOG<f/40MHz> MIN	40	150
MODE CONVERSION	SDC12	-35 MIN	1	40
		-35+17LOG<f/40MHz> MIN	40	150
	SDC21	-30 MIN	1	40
COMMON MODE REJECTION	SCC21	-30+11LOG<f/40MHz> MIN	40	150
		-25 MIN	1	150

**BALANCED DC LINE CURRENT** 720mA MAX @57VDC CONTINUOUS  
 1.2A MAX @57VDC FOR 200mS  
**HIPOT** 1500 V<sub>rms</sub>

ORIGINATED BY	DATE
Alice Pang	2018-02-26
DRAWN BY	DATE
ZC Guo	2018-02-26

TITLE
ELECTRICAL SPECIFICATION

PART NO. / DRAWING NO.
S558-5500-JD
FILE NAME
S5585500JDB.DWG

STANDARD DIM.	[ ] METRIC DIM. AS REF.
TOL. IN INCH	UNIT : INCH [mm]
.X	SCALE : N/A
.XX	SIZE : A4
.XXX	

REV. : B PAGE :

## X-ON Electronics

Largest Supplier of Electrical and Electronic Components

*Click to view similar products for [Audio Transformers](#) / [Signal Transformers](#) category:*

*Click to view products by [Bel Fuse](#) manufacturer:*

Other Similar products are found below :

[CX2041NLT](#) [MGPWT-00449-P](#) [PE-64961](#) [H1302FNLT](#) [H5008FNL](#) [H5012FNL](#) [H5020FNLT](#) [H5077NLT](#) [H5079NLT](#) [H5084FNLT](#)  
[B78476A9558A003](#) [1812WBT2-4](#) [1879479-1](#) [HX2260FNL](#) [HX5014FNL](#) [EX2024FNL](#) [FL1066](#) [T1137NLT](#) [T3012NL](#) [PE-65812FNL](#) [PE-65848FNLT](#) [H1174FNL](#) [H1302FNL](#) [H5015FNL](#) [H5019EFNL](#) [H5062FNLT](#) [CX2047LNL](#) [MGPWT-00059-P](#) [MGPWT-00266-P](#) [MGPWT-00278-P](#) [MGPWT-00431-P](#) [TTC-100](#) [TTC-143-H](#) [TTC-5032-1](#) [BX1194WNLT](#) [HX1234NLT](#) [HX5008FNLT](#) [HX5019FNL](#) [HX5084NL](#) [3-1879385-5](#) [TX1263NLT](#) [4-1879391-0](#) [T1142NL](#) [HX6101FNL](#) [HX5084FNL](#) [HX1148NL](#) [HX5020FNLT](#) [HX5014FNLT](#) [T1124NL](#)  
[1879732-1](#)