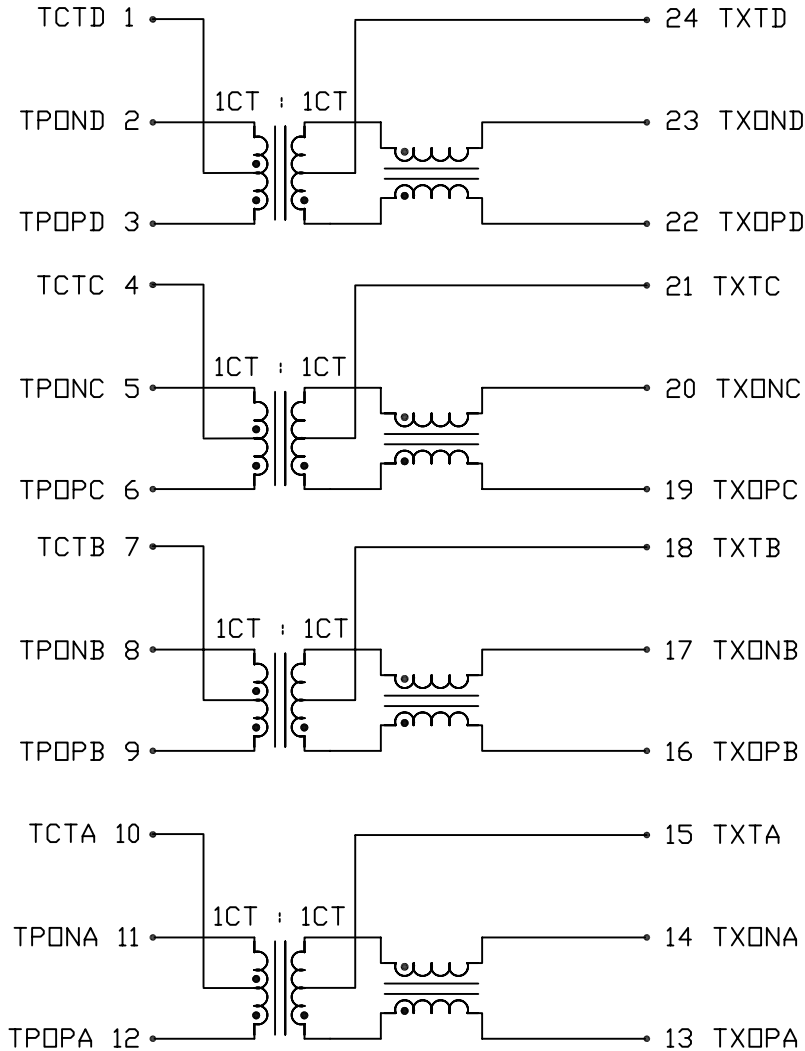


THE INFORMATION CONTAINED HEREIN IS CONSIDERED "PROPRIETARY" TO BEL FUSE INC. AND SHALL NOT BE COPIED, REPRODUCED OR DISCLOSED WITHOUT THE WRITTEN APPROVAL OF BEL FUSE INC.



ELECTRICAL CHARACTERISTICS @ 25°C

SCHEMATIC



URNS RATIO

PIN(3-1-2) : (22-24-23)  
 PIN(6-4-5) : (19-21-20)  
 PIN(9-7-8) : (16-18-17)  
 PIN(12-10-11) : (13-15-14)

1CT : 1CT  
 1CT : 1CT  
 1CT : 1CT  
 1CT : 1CT

CL

350μH MIN. @ 100kHz, 100mV  
 WITH 8mA DC BIAS

INSERTION LOSS

1.1dB MAX. @ 0.1 TO 1MHz  
 0.5dB MAX. @ 1 TO 65MHz  
 1.0dB MAX. @ 80MHz  
 1.2dB MAX. @ 125MHz

RETURN LOSS

UNDER 100 OHMS±15% ENVIRONMENT

18dB MIN. @ 0.5 TO 40 MHz  
 12-20LOG (f/80MHz) MIN. @  
 40 TO 100 MHz

COMMON TO COMMON REJECTION

30dB MIN. @ 0.1 TO 100 MHz

CROSSTALK

33-20LOG (f/100MHz) dB MIN.  
 @ 1 TO 100MHz

HIPOT

PER HAND-WORK-03

REV. : B PAGE : 2

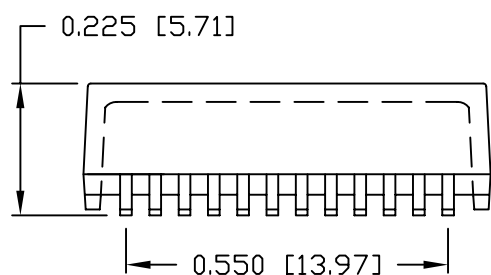
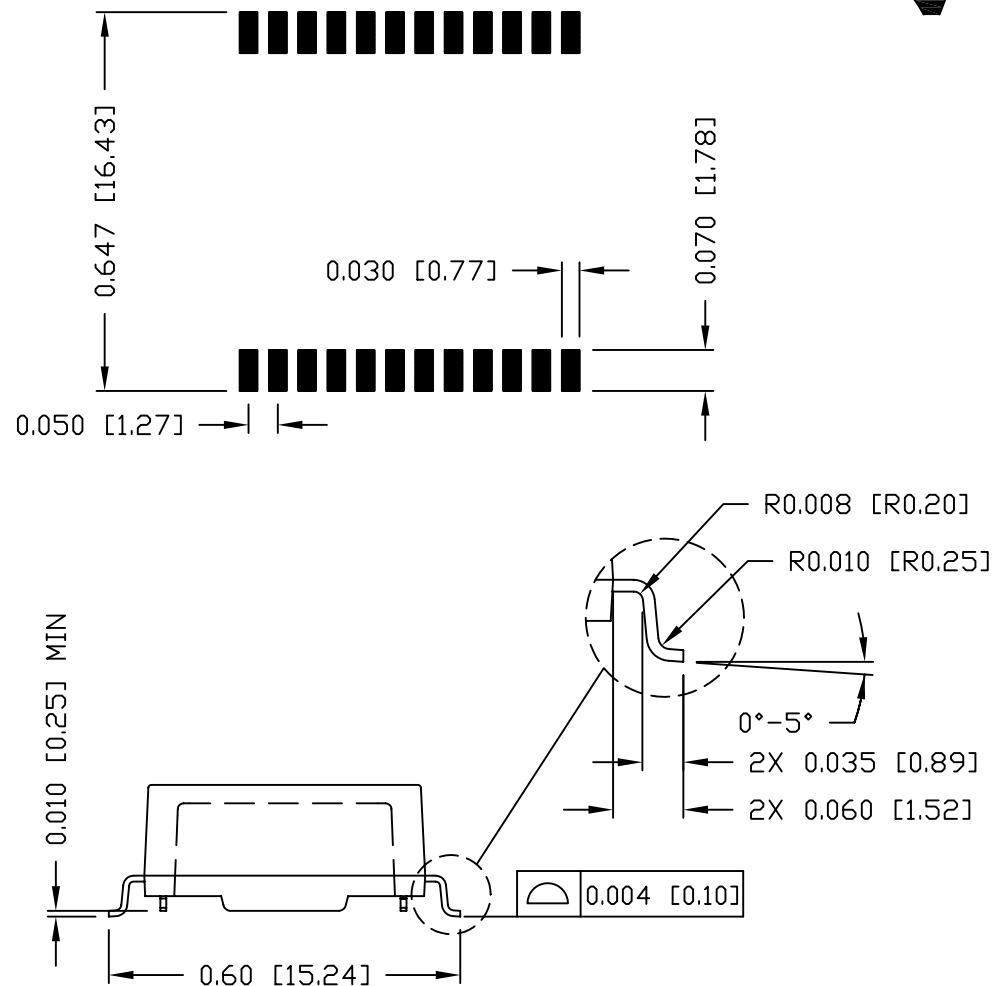
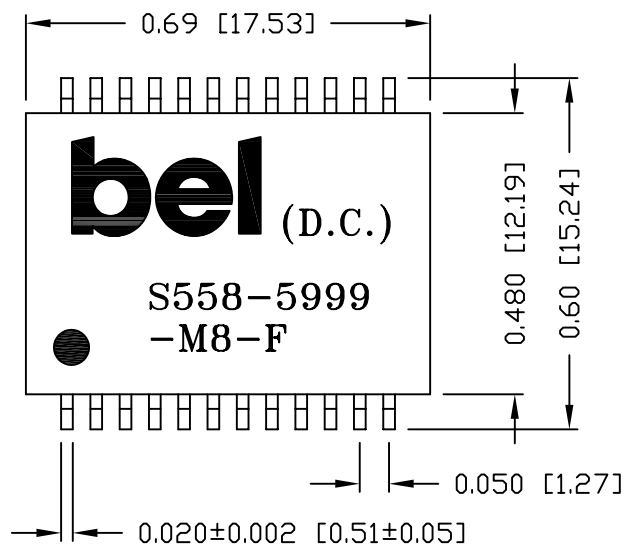
ORIGINATED BY	DATE	TITLE	PART NO. / DRAWING NO.	STANDARD DIM.	[ ] METRIC DIM. AS REF.	 POWER   PROTECT   CONNECT
Alice Pang	2015-01-28		X5585999M8-F	TOL. IN INCH	UNIT : INCH [mm]	
DRAWN BY	DATE		FILE NAME	.X	SCALE : N/A	
ZC Guo	2015-01-28	X5585999M8FB.DWG	.XX	SIZE : A4		
				.XXX		

THE INFORMATION CONTAINED HEREIN IS CONSIDERED "PROPRIETARY" TO BEL FUSE INC. AND SHALL NOT BE COPIED, REPRODUCED OR DISCLOSED WITHOUT THE WRITTEN APPROVAL OF BEL FUSE INC.

RoHS



SUGGESTED PCB PAD LAYOUT



NOTES:

- STANDARD MARKING REFER TO DOC. HAND-WORK-04.
- PACKAGE CODE: "RQS001".

REV. : B	PAGE : 3		
 POWER   PROTECT   CONNECT			
		STANDARD DIM. [ ] METRIC DIM. AS REF.	
		TOL. IN INCH	
UNIT : INCH [mm]			
SCALE : N/A			
SIZE : A4			

ORIGINATED BY	DATE	TITLE	PART NO. / DRAWING NO.	STANDARD DIM. [ ] METRIC DIM. AS REF.		
Lawrence Tsang	2015-01-28	MECHANICAL DRAWING S558-5999-M8-F	X5585999M8-F	TOL. IN INCH		
DRAWN BY	DATE		FILE NAME	.X	UNIT : INCH [mm]	
ZC Guo	2015-01-28		X5585999M8FB.DWG	.XX	SCALE : N/A	
				.XXX	±0.005	

## X-ON Electronics

Largest Supplier of Electrical and Electronic Components

*Click to view similar products for [Audio Transformers / Signal Transformers](#) category:*

*Click to view products by [Bel Fuse](#) manufacturer:*

Other Similar products are found below :

[CX2041NLT](#) [MGPWT-00449-P](#) [PE-64961](#) [H1302FNLT](#) [H5008FNL](#) [H5012FNL](#) [H5020FNLT](#) [H5077NLT](#) [H5079NLT](#) [H5084FNLT](#)  
[B78476A9558A003](#) [1812WBT2-4](#) [1879479-1](#) [HX2260FNL](#) [HX5014FNL](#) [EX2024FNL](#) [FL1066](#) [T1137NLT](#) [T3012NL](#) [PE-65812FNL](#) [PE-65848FNLT](#) [H1174FNL](#) [H1302FNL](#) [H5015FNL](#) [H5019EFNL](#) [H5062FNLT](#) [CX2047LNL](#) [MGPWT-00059-P](#) [MGPWT-00266-P](#) [MGPWT-00278-P](#) [MGPWT-00431-P](#) [TTC-100](#) [TTC-143-H](#) [TTC-5032-1](#) [BX1194WNLT](#) [HX1234NLT](#) [HX5008FNLT](#) [HX5019FNL](#) [HX5084NL](#) [3-1879385-5](#) [TX1263NLT](#) [4-1879391-0](#) [T1142NL](#) [HX6101FNL](#) [HX5084FNL](#) [HX1148NL](#) [HX5020FNLT](#) [HX5014FNLT](#) [T1124NL](#)  
[1879732-1](#)