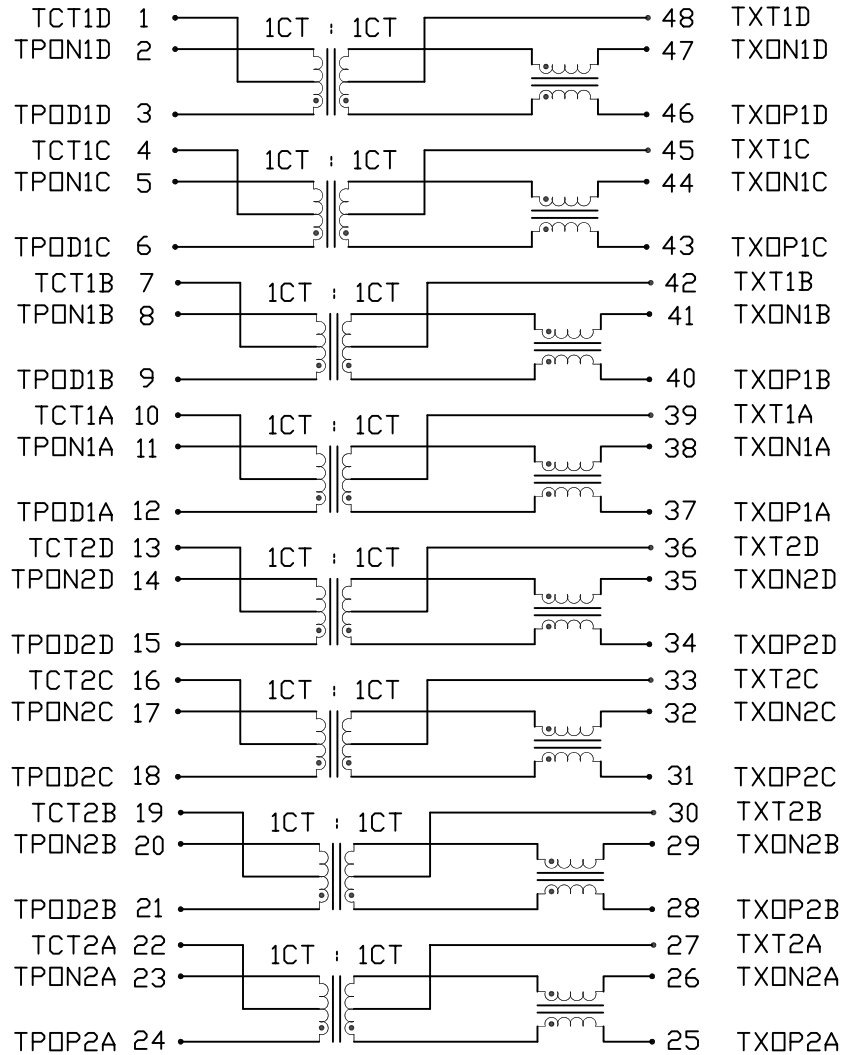


THE INFORMATION CONTAINED HEREIN IS CONSIDERED "PROPRIETARY" TO BEL FUSE INC. AND SHALL NOT BE COPIED, REPRODUCED OR DISCLOSED WITHOUT THE WRITTEN APPROVAL OF BEL FUSE INC.

RoHS



SCHEMATIC



ELECTRICAL CHARACTERISTICS @ 25°C

TURNS RATIO 1CT : 1CT ±2%  
 OCL 350μH MIN. @100kHz, 100mV, WITH 8mA D.C. BIAS  
 PIN (46-47), (43-44), (40-41), (37-38)  
 PIN (34-35), (31-32), (28-29), (25-26)

INSERTION LOSS	FREQ.	1MHz	65MHz	100MHz	125MHz
	MAX.	1.1dB	0.5dB	0.8dB	1.2dB

RETURN LOSS 18dB MIN. @ 0.5 TO 40 MHz  
 MEASURED UNDER A 12-20LOG(f/80MHz)dB MIN. @ 40 TO 100MHz  
 100 Ω ENVIRONMENT

COMMON TO COMMON MODE REJECTION 30dB MIN. @ 0.1 TO 100MHz

CROSSTALK 33-20LOG(f/100MHz)dB MIN. @ 1 TO 100MHz

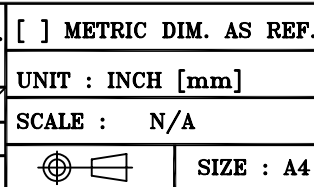
HIPOT PER HAND-WORK-03

REV. : B PAGE : 2

ORIGINATED BY	DATE	TITLE
Alice Pang	2015-04-10	
DRAWN BY	DATE	
ZC Guo	2015-04-10	

PART NO. / DRAWING NO.	STANDARD DIM.
X5585999Q2-F	[ ] METRIC DIM. AS REF.
FILE NAME	TOL. IN INCH
X5585999Q2FB.DWG	.X .XX .XXX

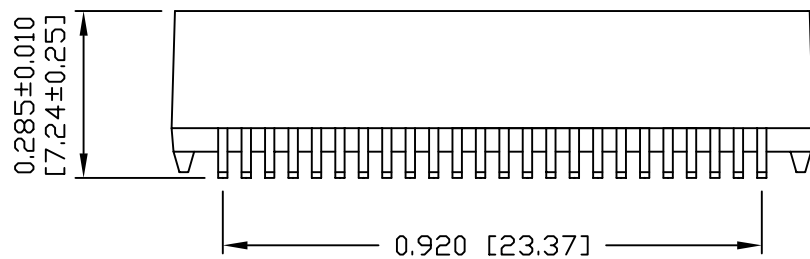
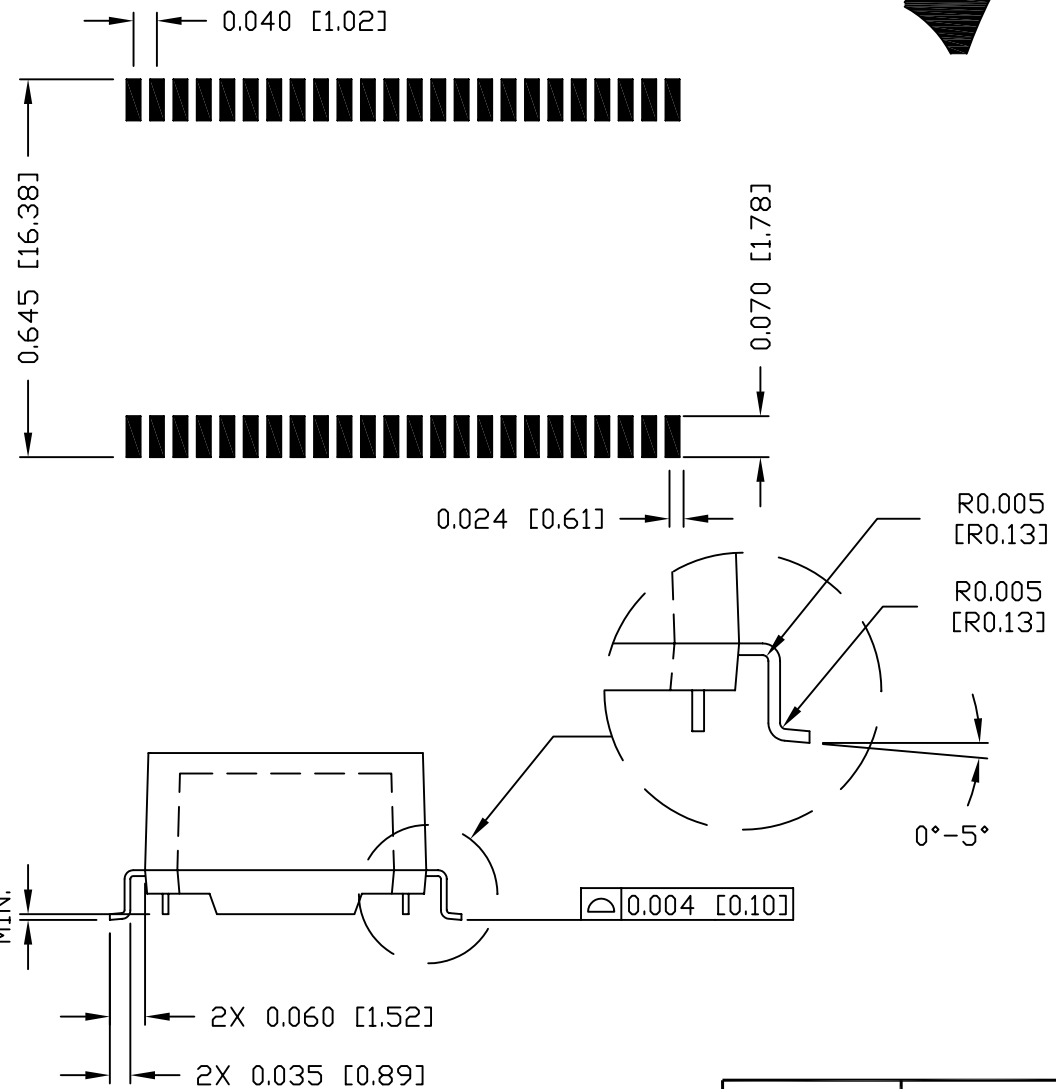
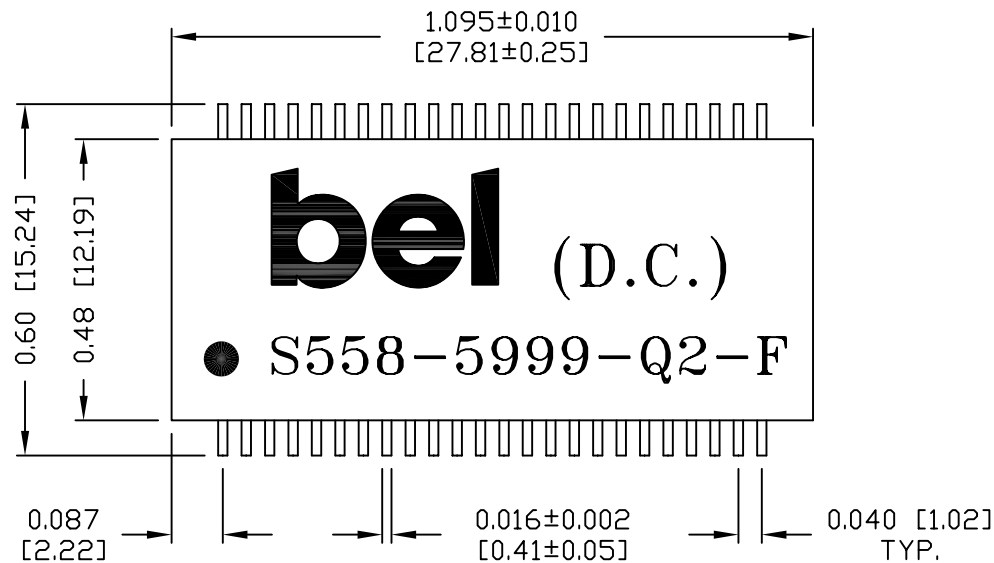
UNIT : INCH [mm]
SCALE : N/A
SIZE : A4



THE INFORMATION CONTAINED HEREIN IS CONSIDERED "PROPRIETARY" TO BEL FUSE INC. AND SHALL NOT BE COPIED, REPRODUCED OR DISCLOSED WITHOUT THE WRITTEN APPROVAL OF BEL FUSE INC.



SUGGESTED PCB PAD LAYOUT



NOTES:

1. STANDARD MARKING REFER TO DOC. HAND-WORK-04.
2. PACKAGE CODE: "QVS001".

ORIGINATED BY		DATE	TITLE	PART NO. / DRAWING NO.		STANDARD DIM. [ ] METRIC DIM. AS REF.		REV. : B	PAGE : 3	
Lawrence Tsang		2015-04-10	MECHANICAL DRAWING S558-5999-Q2-F	X5585999Q2-F		TOL. IN INCH		UNIT : INCH [mm]		
DRAWN BY		DATE		FILE NAME	.X		SCALE : N/A		 POWER   PROTECT   CONNECT	
ZC Guo		2015-04-10		X5585999Q2FB.DWG	.XX ±0.01		SIZE : A4			
						.XXX ±0.005				

## X-ON Electronics

Largest Supplier of Electrical and Electronic Components

*Click to view similar products for [Audio Transformers / Signal Transformers](#) category:*

*Click to view products by [Bel Fuse](#) manufacturer:*

Other Similar products are found below :

[CX2041NLT](#) [MGPWT-00449-P](#) [PE-64961](#) [H1302FNLT](#) [H5008FNL](#) [H5012FNL](#) [H5020FNLT](#) [H5077NLT](#) [H5079NLT](#) [H5084FNLT](#)  
[B78476A9558A003](#) [1812WBT2-4](#) [1879479-1](#) [HX2260FNL](#) [HX5014FNL](#) [EX2024FNL](#) [FL1066](#) [T1137NLT](#) [T3012NL](#) [PE-65812FNL](#) [PE-](#)  
[65848FNLT](#) [H1174FNL](#) [H1302FNL](#) [H5015FNL](#) [H5019EFNL](#) [H5062FNLT](#) [CX2047LNL](#) [MGPWT-00059-P](#) [MGPWT-00266-P](#) [MGPWT-](#)  
[00278-P](#) [MGPWT-00431-P](#) [TTC-100](#) [TTC-143-H](#) [TTC-5032-1](#) [BX1194WNLT](#) [HX1234NLT](#) [HX5008FNLT](#) [HX5019FNL](#) [HX5084NL](#) [3-](#)  
[1879385-5](#) [TX1263NLT](#) [4-1879391-0](#) [T1142NL](#) [HX6101FNL](#) [HX5084FNL](#) [HX1148NL](#) [HX5020FNLT](#) [HX5014FNLT](#) [T1124NL](#)  
[1879732-1](#)