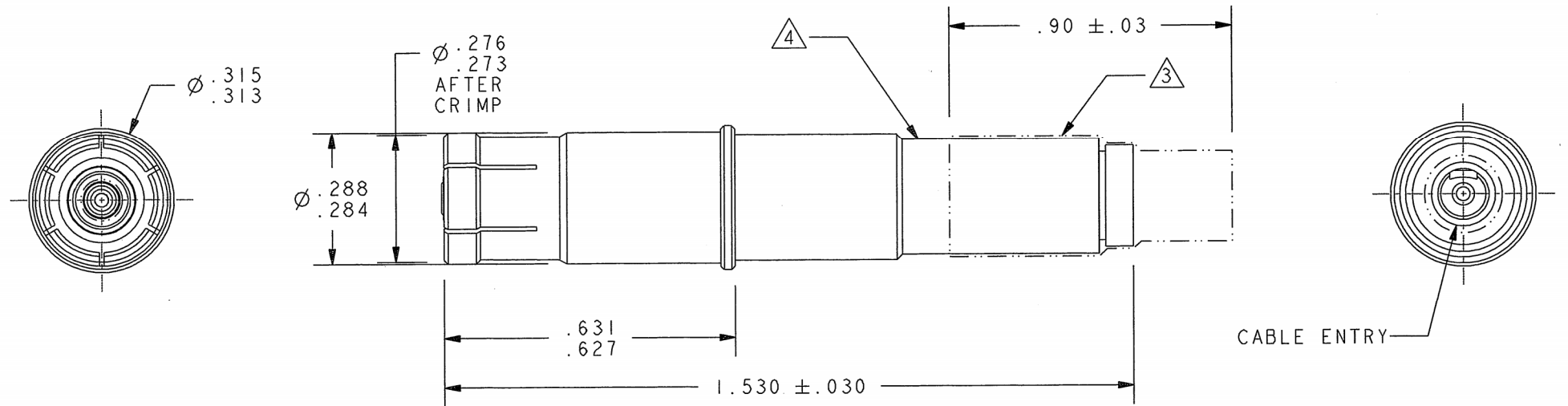
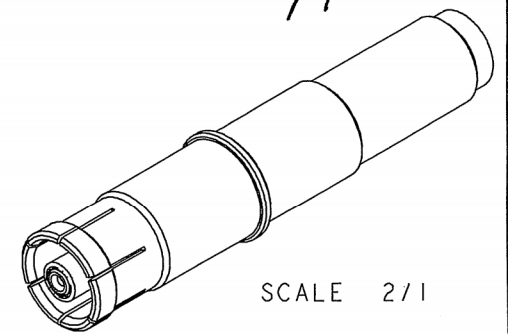
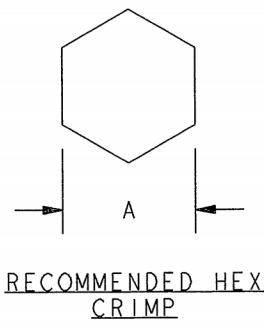


DASH NO	CABLES ACCOMMODATED	A HEX	ASSEMBLE PER	
-201	M17176-00002	.218	TAI-132	
-202	TWC-78-1, TEI			
-203	TWC-124-1A, TEI			
-204	10602, 10612 RAYCHEM			
-205	TWAC-78-1F2, TEI			
-208	2023927, MICRODOT			
-217	M27500-22RC2S06			
-218	EPD221888, RAYCHEM			
-221	10614, RAYCHEM 05A4077-1, NORTHROP GC875TM24H, GRUMMAN			
-222	10613, RAYCHEM			
-223	HMS2-1149, HUGHES			
-301	GC875GC1, GRUMMAN			
-302	GC875GB1, GRUMMAN			
-303	7528A5314, RAYCHEM			TAI-150

DATA CONTAINED IN THIS DOCUMENT IS PROPRIETARY TO TROMPETER ELECTRONICS INC. AND SHALL NOT BE DISCLOSED, COPIED OR USED FOR PROCUREMENT OR MANUFACTURE WITHOUT EXPRESS WRITTEN PERMISSION.

REVISIONS			
REV	DESCRIPTIONS	DATE	APPROVED
Y	REVISED PER ECO 16503	12/11/07	KMC



**RED INDICATES ORIGINAL**

5. MATES WITH SPC8P
- 4 NOT TO EXCEED  $\phi$ .257 AFTER HEX CRIMP
- 3 NOT TO EXCEED  $\phi$ .276 OVER SEALING SLEEVE AFTER RECOVERY
2. FINISH: TFS-1B (0.000050 GOLD)
1. SCOOP PROOF CONTACT (SIZE 8) SOCKET FOR MIL-C-38999 SERIES I, III & IV MULTIPIN CONNECTORS (NOTE: -201 IS SIMILAR TO M39029/91-530)

NOTES: UNLESS OTHERWISE SPECIFIED.

INTERPRET DRAWING PER MIL-STD-100. DIMENSIONS ARE IN INCHES AND INCLUDE FINISH THICKNESS UNLESS OTHERWISE SPECIFIED.		TOL: UNLESS SPECIFIED. .XX ± .02 .XXX ± .010 ANGLE ± 1°				
DRN CJJ 12-5-07	MATERIAL:	TITLE:  SPC8S				
CHK MWS 12-12-07	QUALITY	FINISH:	SIZE A	CAGE CODE 14949	DRAWING NO. 3-0082	REV. Y
MANUF	APPROVED EJM 12/12/07	DO NOT SCALE DWG	SCALE 3/1	DATE 2-21-83	SHEET 1C	
NEXT ASSY	PROJ FILE NO. 3-0082					

## X-ON Electronics

Largest Supplier of Electrical and Electronic Components

*Click to view similar products for [RF Connectors / Coaxial Connectors](#) category:*

*Click to view products by [Bel Fuse](#) manufacturer:*

Other Similar products are found below :

[8915-1511-000](#) [89674-0827](#) [6001-7071-019](#) [6002-7051-003](#) [6002-7551-202](#) [6059674-1](#) [619550-1](#) [630059-000](#) [M39030/3-01N](#) [6500-7071-046](#) [6769](#) [CX050L2AQ](#) [7002-1541-010](#) [7002-1542-011](#) [7004-1512-000](#) [7009-1511-004](#) [7010-1511-000](#) [7029-1511-060](#) [7101-1541-010](#) [7101-1571-002](#) [7145-1521-002](#) [7203-1571-003](#) [7209-1511-011](#) [7210-1511-015](#) [7210-1511-019](#) [73137-5015](#) [73216-2241](#) [73404-2300](#) [7405-1521-005](#) [7405-1521-802](#) [8527](#) [8547](#) [FS11V](#) [877931](#) [9049-9513-000](#) [9074-9513-000](#) [9101-9573-002](#) [910A205F](#) [9130-9573-002](#) [PL11SC-026](#) [PL375-33](#) [PL40-5](#) [PL74C-221](#) [PL75MC-217](#) [PL803-7](#) [980-8666-005](#) [1200690078](#) [1-201144-1](#) [R107003010W](#) [R110A172100](#)