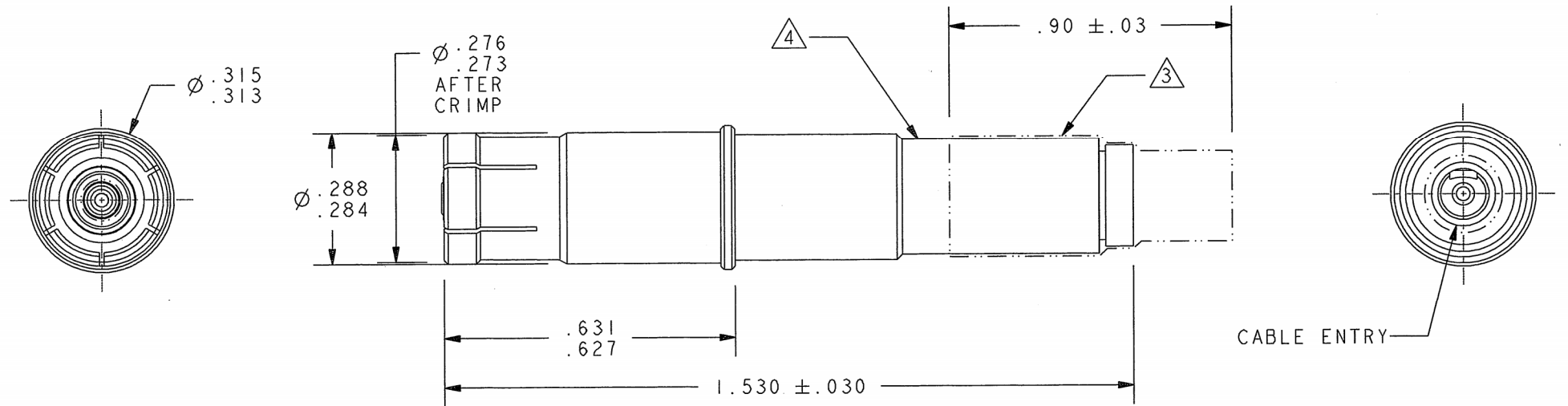
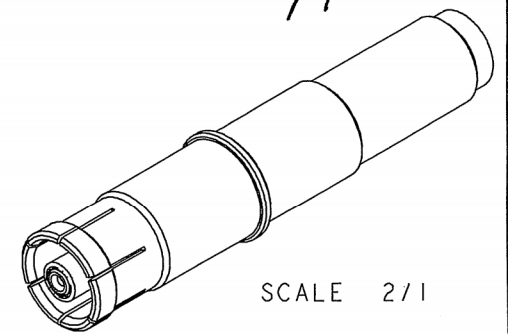
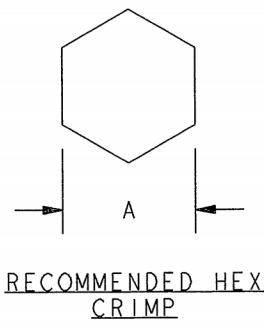


| DASH NO | CABLES ACCOMMODATED  | A HEX | ASSEMBLE PER |         |
|---------|--|-------|--------------|---------|
| -201    | M17176-00002   | .218  | TAI-132      |         |
| -202    | TWC-78-1, TEI  |       |              |         |
| -203    | TWC-124-1A, TEI  |       |              |         |
| -204    | 10602, 10612 RAYCHEM   |       |              |         |
| -205    | TWAC-78-1F2, TEI   |       |              |         |
| -208    | 2023927, MICRODOT  |       |              |         |
| -217    | M27500-22RC2S06  |       |              |         |
| -218    | EPD221888, RAYCHEM   |       |              |         |
| -221    | 10614, RAYCHEM<br>05A4077-1, NORTHROP<br>GC875TM24H, GRUMMAN |       |              |         |
| -222    | 10613, RAYCHEM   |       |              |         |
| -223    | HMS2-1149, HUGHES  |       |              |         |
| -301    | GC875GC1, GRUMMAN  |       |              |         |
| -302    | GC875GB1, GRUMMAN  |       |              |         |
| -303    | 7528A5314, RAYCHEM   |       |              | TAI-150 |

DATA CONTAINED IN THIS DOCUMENT IS PROPRIETARY TO TROMPETER ELECTRONICS INC. AND SHALL NOT BE DISCLOSED, COPIED OR USED FOR PROCUREMENT OR MANUFACTURE WITHOUT EXPRESS WRITTEN PERMISSION.

| REVISIONS |                       |          |          |
|-----------|-----------------------|----------|----------|
| REV       | DESCRIPTIONS          | DATE     | APPROVED |
| Y         | REVISED PER ECO 16503 | 12/11/07 | KMC      |



**RED INDICATES ORIGINAL**

- MATES WITH SPC8P
- NOT TO EXCEED  $\phi$ .257 AFTER HEX CRIMP
- NOT TO EXCEED  $\phi$ .276 OVER SEALING SLEEVE AFTER RECOVERY
- FINISH: TFS-1B (0.000050 GOLD)
- SCOOP PROOF CONTACT (SIZE 8) SOCKET FOR MIL-C-38999 SERIES I, III & IV MULTIPIN CONNECTORS (NOTE: -201 IS SIMILAR TO M39029/91-530)

NOTES: UNLESS OTHERWISE SPECIFIED.

|  |                          |  |  |              |                    |
|--|--------------------------|--|--|--------------|--------------------|
| INTERPRET DRAWING PER MIL-STD-100. DIMENSIONS ARE IN INCHES AND INCLUDE FINISH THICKNESS UNLESS OTHERWISE SPECIFIED. |                          | TOL: UNLESS SPECIFIED.<br>.XX ± .02<br>.XXX ± .010<br>ANGLE ± 1° |  |              |                    |
| DRN<br>CJJ 12-5-07   | MATERIAL:                | TITLE:<br>SPC8S  |  |              |                    |
| CHK<br>MWS 12-12-07  | QUALITY                  | FINISH:  |  | SIZE<br>A    | CAGE CODE<br>14949 |
| MANUF  | APPROVED<br>EJM 12/12/07 | DRAWING NO.<br>3-0082  |  | REV.<br>Y    |                    |
| NEXT ASSY  | PROJ FILE NO.<br>3-0082  | DO NOT SCALE DWG   |  | SCALE<br>3/1 | DATE<br>2-21-83    |
|  |                          |  |  | SHEET<br>1C  |                    |

## X-ON Electronics

Largest Supplier of Electrical and Electronic Components

*Click to view similar products for [RF Connectors / Coaxial Connectors](#) category:*

*Click to view products by [Bel Fuse](#) manufacturer:*

Other Similar products are found below :

[8915-1511-000](#) [89674-0827](#) [6001-7071-019](#) [6002-7051-003](#) [6002-7551-202](#) [6059674-1](#) [619550-1](#) [630059-000](#) [M39030/3-01N](#) [6500-7071-046](#) [6769](#) [CX050L2AQ](#) [7002-1541-010](#) [7002-1542-011](#) [7004-1512-000](#) [7009-1511-004](#) [7010-1511-000](#) [7029-1511-060](#) [7101-1541-010](#) [7101-1571-002](#) [7145-1521-002](#) [7203-1571-003](#) [7209-1511-011](#) [7210-1511-015](#) [7210-1511-019](#) [73137-5015](#) [73216-2241](#) [73404-2300](#) [7405-1521-005](#) [7405-1521-802](#) [8527](#) [8547](#) [FS11V](#) [877931](#) [8808-1511-001](#) [9049-9513-000](#) [9074-9513-000](#) [9101-9573-002](#) [910A205F](#) [9130-9573-002](#) [PL11SC-026](#) [PL375-33](#) [PL40-5](#) [PL74C-221](#) [PL75MC-217](#) [PL803-7](#) [1200690078](#) [1-201144-1](#) [R107003010W](#) [R110A172100](#)