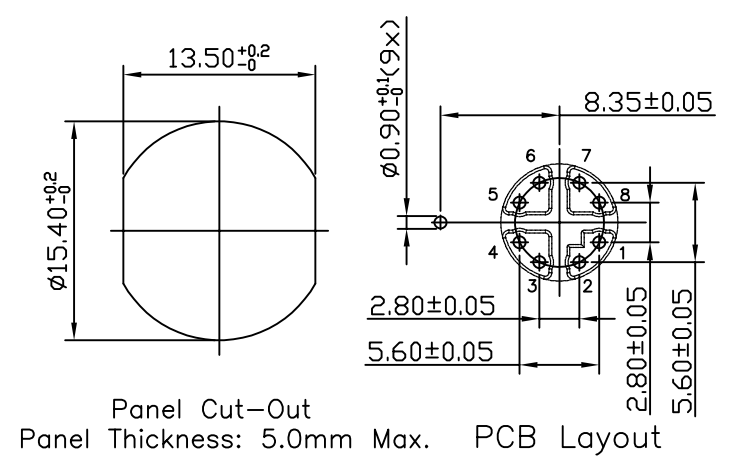
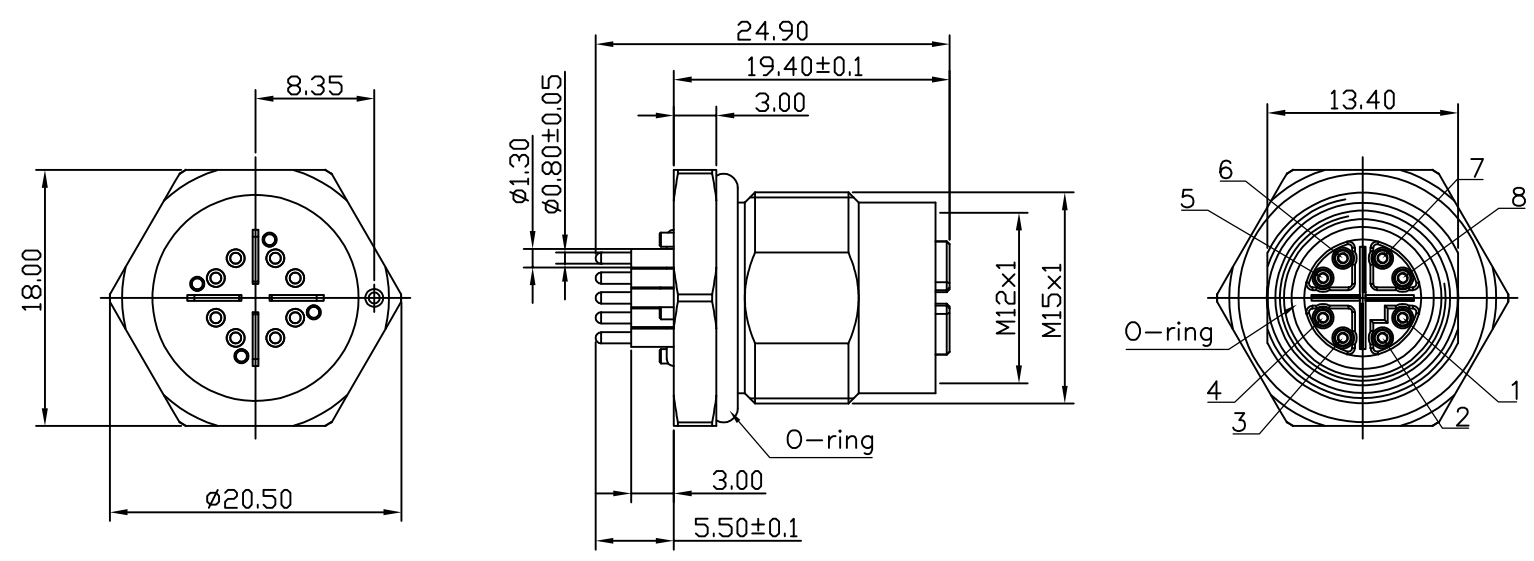
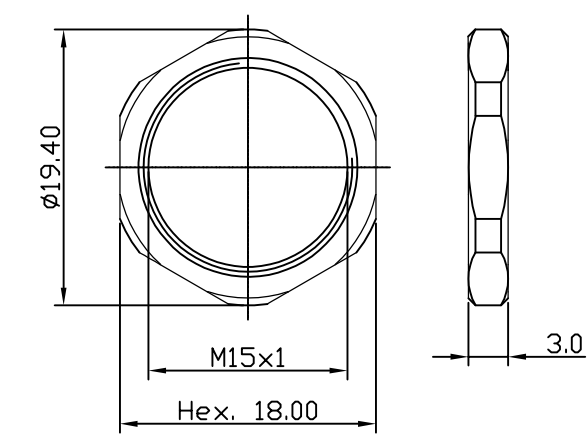


DATE	REV	REVISION CHANGES	ECN	APPR. BY
3/11/21	A0	AS DRAWN	-	BTS



- NOTES:
- CONNECTOR MATERIALS:  
HOUSING: PA  
CONTACTS: COPPER ALLOY, GOLD PLATED  
SHELL: COPPER ALLOYS, NICKEL PLATED  
SEALING: NBR (INTERNAL) AND EPDM (EXTERNAL)  
JAM NUT: COPPER ALLOY, NICKEL PLATED
  - FOR PRODUCT SPECIFICATIONS SEE PRO39-01
  - DIMENSIONS AND TOLERANCES COMPLY WITH IEC 61076-2-109 STANDARD
  - CODING TYPE: X
  - CURRENT RATING: 0.5 AMPS MAX PER CONTACT
  - VOLTAGE RATING: 48V PER CONTACT
  - DEGREE OF PROTECTION: IP68
  - NUT TORQUE: 16 TO 18KG-CM

SS-12400-003  
PART NUMBER

<p>THIRD ANGLE PROJECTION</p>	<p>11118 Susquehanna Trail South Glen Rock, PA 17327-9199 (717) 235-7512 <a href="http://www.stewartconnector.com">http://www.stewartconnector.com</a></p>	<p>FILE: M12 X-Code, Vertical, Rear Mount PCB Receptacle</p>	
		<p>DO NOT SCALE DRAWING DRAWING IS SUBJECT TO CHANGE WITHOUT NOTICE</p>	<p>DATE: 03/8/21</p>
<p>DIMENSIONS: METRIC</p>	<p>UNLESS OTHERWISE SPECIFIED TOLERANCES ARE AS FOLLOWS: ANGLES ARE 25°</p>	<p>DATE: 03/11/21</p>	<p>DATE: 03/11/21</p>
<p>SHEET NO. 1 OF 1</p>	<p>THIS DRAWING AND THE SUBJECT MATTER SHOWN THEREON ARE CONFIDENTIAL AND THE PROPRIETARY PROPERTY OF STEWART CONNECTOR AND SHALL NOT BE REPRODUCED, COPIED, OR USED IN ANY MANNER WITHOUT PRIOR WRITTEN CONSENT OF STEWART CONNECTOR. ONE OR MORE U.S. PATENTS MAY APPLY TO THIS PRODUCT. FOR DETAILS, PLEASE VISIT: <a href="http://REFUSE.COM/STEWART/PATENTS/">HTTP://REFUSE.COM/STEWART/PATENTS/</a></p>	<p>APPV BY: BTS</p>	<p>DATE: 03/11/21</p>
		<p>DWG NO. CT120016</p>	<p>REV. A0</p>



## X-ON Electronics

Largest Supplier of Electrical and Electronic Components

*Click to view similar products for [Modular Connectors / Ethernet Connectors](#) category:*

*Click to view products by [Bel Fuse](#) manufacturer:*

Other Similar products are found below :

[8949-H88/06BLKA/SN](#) [74441-0010/BKN](#) [MP1010RX-1000](#) [MP44RX-1000](#) [PHJ-4P4C-1-V-4](#) [PHP-6P6C-5](#) [GAX-3-66](#) [GAX-8-62](#) [GDCX-PA-66-50](#) [GDCX-PN-64](#) [GDCX-PN-66](#) [GDCX-PN-66-50](#) [GDLX-A-66](#) [GDLX-N-66](#) [GDLX-S-66](#) [GDLX-S-88K](#) [GDLX-SMT-S-88](#) [GDTX-S-88-50](#) [GDX-PA-1010](#) [GLX-N-1010M-BLK](#) [GLX-S-88M-BLK](#) [GMX-N-1010](#) [GMX-S-1010](#) [GMX-S-66](#) [GMX-SMT4-N-88](#) [GPX-2-64](#) [GSGX-N-2-88](#) [GSGX-N-4-88](#) [GSX-NS2-88-3.05](#) [GSX-NS2-88-3.05-50](#) [GSX-NS-88-3.05-50](#) [PT-108A-8C-UL](#) [PT-J951-8C](#) [PTS-J531-8CS-50UL](#) [1-1775629-2](#) [A-2014-0-4](#) [GWLX-S-88-GR](#) [GWLX-S9-88-YG](#) [DC-1021-8-WH-6](#) [1300530003](#) [1324640-4](#) [RJ11FTVC2G](#) [RJ11FTVC2N](#) [RJFTVX2SA1G](#) [132764-001](#) [1413235](#) [MP88X-1000](#) [MPS88RX-5000](#) [E5288-S000K3-L](#) [E5908-15A242-L](#)