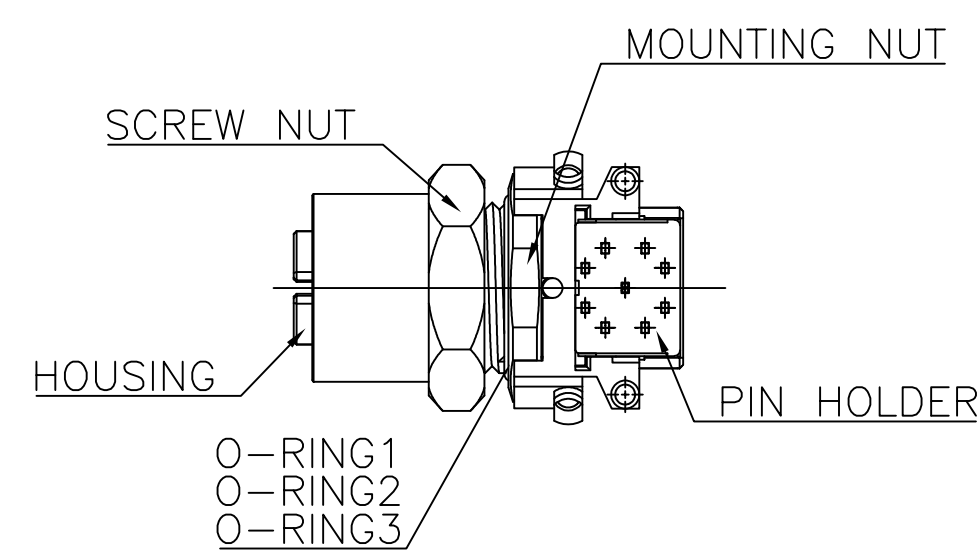
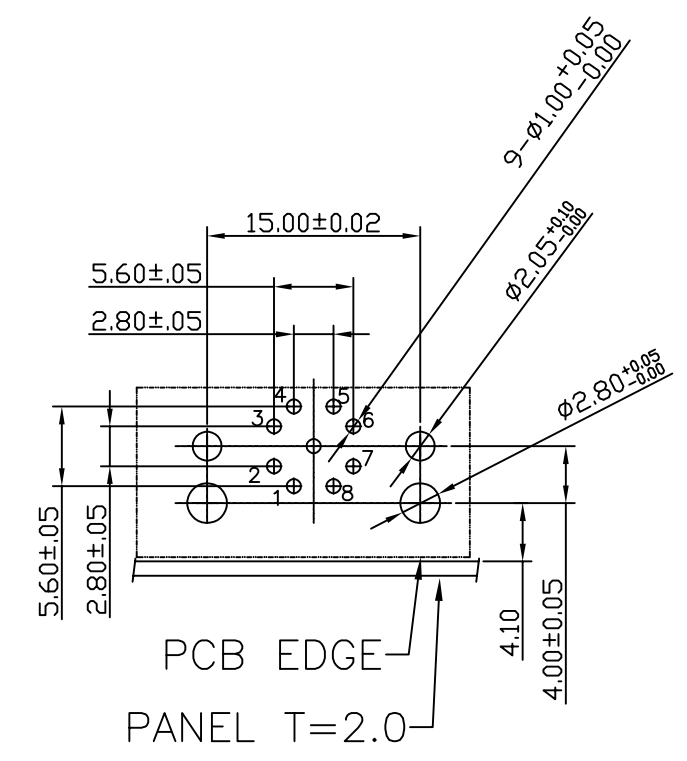
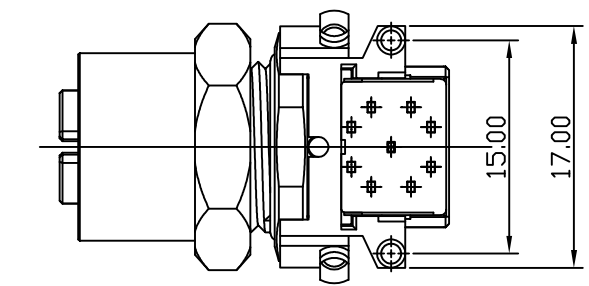
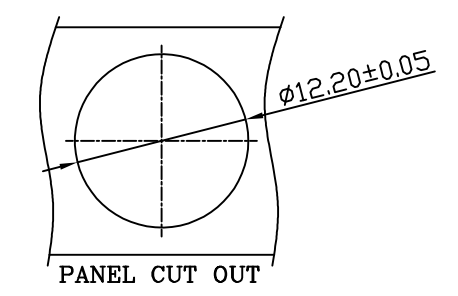
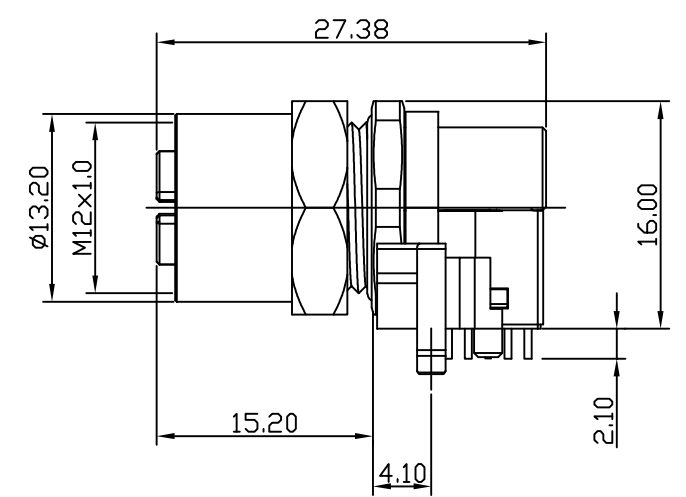
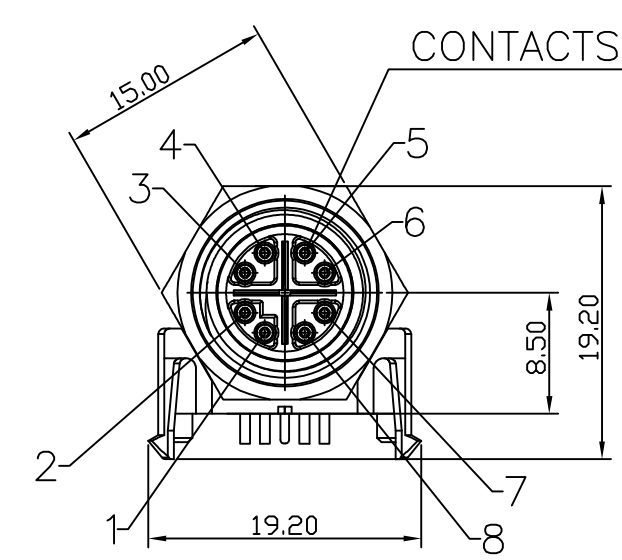


DATE	REV	REVISION CHANGES	ECN	APP'D BY
3/11/21	A0	AS DRAWN	-	BTS



NOTES:

- CONNECTOR MATERIALS:
HOUSING: PBT, GREEN
CONTACTS: COPPER ALLOY, GOLD PLATED
SHELL: COPPER ALLOYS, NICKEL PLATED
PIN HOLDER: PBT, BLACK
O-RING 1: NBR
O-RING 3: EPDM
SCREW NUT: COPPER ALLOY, NICKEL PLATED
MOUNTING NUT: COPPER ALLOY, NICKEL PLATED
- FOR PRODUCT SPECIFICATIONS SEE PRO39-01
- DIMENSIONS AND TOLERANCES COMPLY WITH IEC 61076-2-109 STANDARD
- CODING TYPE: X
- CURRENT RATING: 0.5 AMPS MAX PER CONTACT
- VOLTAGE RATING: 48V PER CONTACT
- DEGREE OF PROTECTION: IP68

SS-12400-004
PART NUMBER

<p>THIRD ANGLE PROJECTION</p>	<p>11118 Susquehanna Trail South Glen Rock, PA 17327-9199 (717) 235-7512 http://www.stewartconnector.com</p>	DATE: 03/8/21 APP'D BY: JE
		DATE: 03/11/21 APP'D BY: BTS
DO NOT SCALE DRAWING DRAWING IS SUBJECT TO CHANGE WITHOUT NOTICE	FILE: M12 X-Code, Right Angle, Rear Mount PCB Receptacle	DWG NO.: CT120017 REV.: A0
DIMENSIONS: METRIC UNLESS OTHERWISE SPECIFIED TOLERANCES ARE AS FOLLOWS: ANGLES ARE ±1°	THIS DRAWING AND THE SUBJECT MATTER SHOWN THEREON ARE CONFIDENTIAL AND THE PROPRIETARY PROPERTY OF STEWART CONNECTOR AND SHALL NOT BE REPRODUCED, COPIED, OR USED IN ANY MANNER WITHOUT PRIOR WRITTEN CONSENT OF STEWART CONNECTOR. ONE OR MORE U.S. PATENTS MAY APPLY TO THIS PRODUCT. FOR DETAILS, PLEASE VISIT: HTTP://HELP.FUSE.COM/STEWART/PATENTS/	SHEET NO.: 1 OF 1

X-ON Electronics

Largest Supplier of Electrical and Electronic Components

Click to view similar products for [Modular Connectors / Ethernet Connectors](#) category:

Click to view products by [Bel Fuse](#) manufacturer:

Other Similar products are found below :

[8949-H88/06BLKA/SN](#) [74441-0010/BKN](#) [MP1010RX-1000](#) [MP44RX-1000](#) [PHJ-4P4C-1-V-4](#) [PHP-6P6C-5](#) [GAX-3-66](#) [GAX-8-62](#) [GDCX-PA-66-50](#) [GDCX-PN-64](#) [GDCX-PN-66](#) [GDCX-PN-66-50](#) [GDLX-A-66](#) [GDLX-N-66](#) [GDLX-S-66](#) [GDLX-S-88K](#) [GDLX-SMT-S-88](#) [GDTX-S-88-50](#) [GDX-PA-1010](#) [GLX-N-1010M-BLK](#) [GLX-S-88M-BLK](#) [GMX-N-1010](#) [GMX-S-1010](#) [GMX-S-66](#) [GMX-SMT4-N-88](#) [GPX-2-64](#) [GSGX-N-2-88](#) [GSGX-N-4-88](#) [GSX-NS2-88-3.05](#) [GSX-NS2-88-3.05-50](#) [GSX-NS-88-3.05-50](#) [PT-108A-8C-UL](#) [PT-J951-8C](#) [PTS-J531-8CS-50UL](#) [1-1775629-2](#) [A-2014-0-4](#) [GWLX-S-88-GR](#) [GWLX-S9-88-YG](#) [DC-1021-8-WH-6](#) [1300530003](#) [1324640-4](#) [RJ11FTVC2G](#) [RJ11FTVC2N](#) [RJFTVX2SA1G](#) [132764-001](#) [1413235](#) [MP88X-1000](#) [MPS88RX-5000](#) [E5288-S000K3-L](#) [E5908-15A242-L](#)