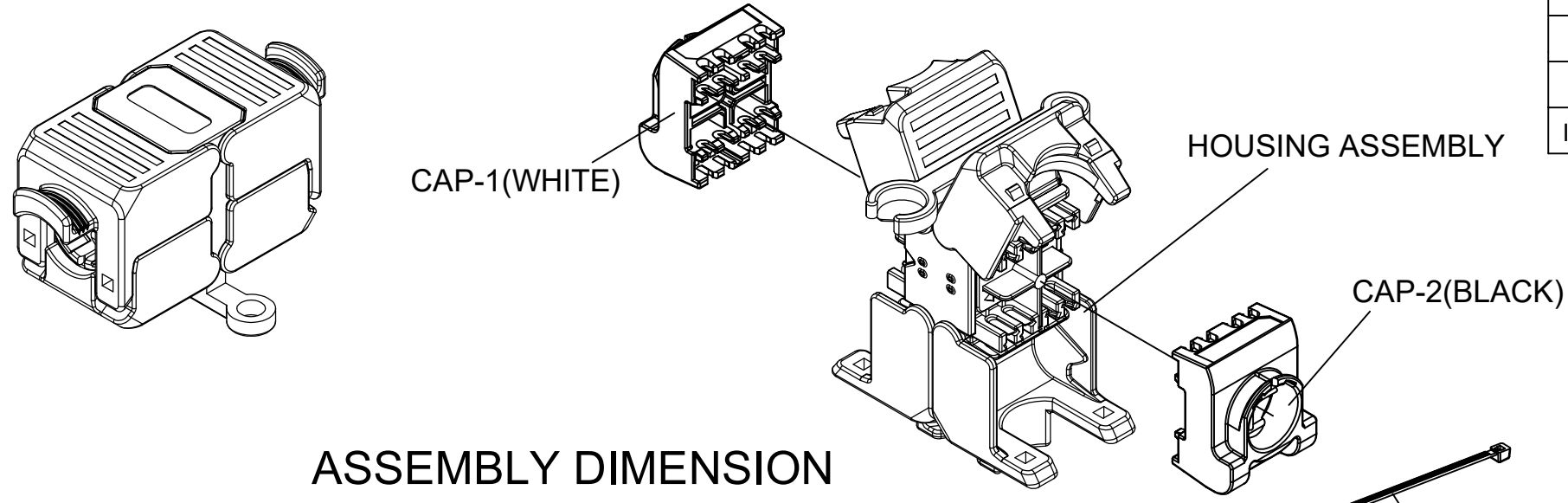
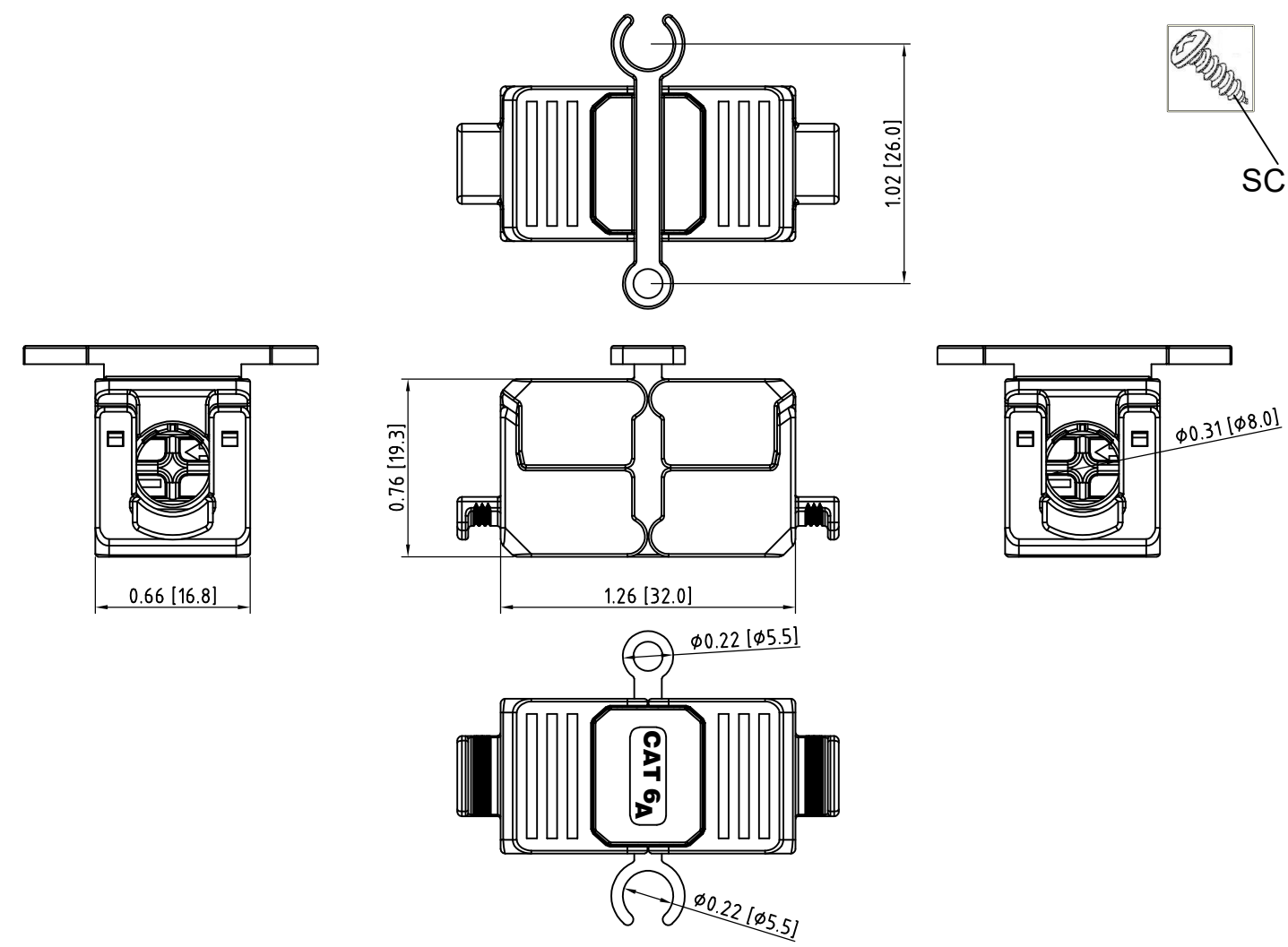


COMPONENTS		
ITEM	PART NAME	Q'TY
5	SCREW, M3 x 10, SELF-TAP	2
4	CABLE TIE	2
3	CAP-2(BLACK)	1
2	CAP-1(WHITE)	1
1	HOUSING ASSEMBLY	1

DATE	REV	ECN	APP'D. BY
10/15/20	A0	-	ADB
11/04/20	A1	11655	JE



ASSEMBLY DIMENSION



- NOTES:
- SUITABLE FOR USE IN EXISTING CABLE SYSTEMS UP TO CATEGORY 6A PERFORMANCE.
 - PHYSICAL
HOUSING: ZINC ALLOY, FULLY SHIELDED
IDC: PHOSPHOR BRONZE ALLOY WITH 100μIN TIN PLATING
 - ELECTRICAL
INSULATION RESISTANCE: 500MOHM MIN. @ 100VDC
DIELECTRIC WITHSTANDING VOLTAGE: IEC 60603-7
CONTACT TO CONTACT: 1000 VDC OR AC PEAK
CONTACT TO SHIELD: 1500 VDC OR AC PEAK
 - MECHANICAL
IDC WIRE GAUGE: 22 - 26 AWG, SOLID OR STRANDED
A SMALLER AWG CANNOT BE USED IN A PREVIOUSLY USED IDC.

SS-82120-002
PART NUMBER



THIRD ANGLE PROJECTION			11118 Susquehanna Trail South Glen Rock, PA 17327-9199 (717) 235-7512 http://www.stewartconnector.com
DO NOT SCALE DRAWING DRAWING IS SUBJECT TO CHANGE WITHOUT NOTICE	TITLE: CAT 6A TOOL-LESS CABLE SPLICER		
DIMENSIONS: INCHES [METRIC]	THIS DRAWING AND THE SUBJECT MATTER SHOWN THEREON ARE CONFIDENTIAL AND THE PROPRIETARY PROPERTY OF STEWART CONNECTOR AND SHALL NOT BE REPRODUCED, COPIED, OR USED IN ANY MANNER WITHOUT PRIOR WRITTEN CONSENT OF STEWART CONNECTOR. ONE OR MORE U.S. PATENTS MAY APPLY TO THIS PRODUCT. FOR DETAILS, PLEASE VISIT: HTTP://BELFUSE.COM/STEWART/STEWART_PATENTS/		
UNLESS OTHERWISE SPECIFIED TOLERANCES ARE ±.005 [0.13] ANGLES ARE ± 1°	DRN BY: JE	DATE: 09/28/20	
SHEET NO. 1 OF 1	APPD BY: ADB	DATE: 10/15/20	
	DWG NO. CT820036	REV. A1	

B

B

A

A

X-ON Electronics

Largest Supplier of Electrical and Electronic Components

Click to view similar products for [Modular Connectors / Ethernet Connectors](#) category:

Click to view products by [Bel Fuse](#) manufacturer:

Other Similar products are found below :

[8949-H88/06BLKA/SN](#) [74441-0010/BKN](#) [PHP-6P6C-5](#) [GAX-3-66](#) [GAX-8-62](#) [GDCX-PN-66](#) [GLX-A-44](#) [GLX-N-1010M-BLK](#) [GMX-SMT4-N-88](#) [GSGX-N-2-88](#) [GSGX-N-4-88](#) [GSX-NS2-88-3.05](#) [GSX-NS-88-3.68](#) [PT-108A-8C-UL](#) [PTS-J531-8CS-50UL](#) [A-2014-0-4](#) [GWLX-S9-88-YG](#) [DC-1021-8-WH-6](#) [1300530003](#) [1324640-4](#) [RJ11FTVC2G](#) [RJ11FTVC2N](#) [RJFTVX2SA1G](#) [132764-001](#) [1413235](#) [MPS88RX-5000](#) [E5288-S000K3-L](#) [155302-001](#) [AX101050](#) [AX101063](#) [AX101065](#) [AX101072](#) [AX101307](#) [AX101315](#) [AX101318](#) [AX102271](#) [AX102282](#) [AX102288](#) [AX102651](#) [AX102660](#) [AX103259](#) [AX104024](#) [J0012D21NL](#) [J0026D01ENL](#) [PC4D0018P](#) [8949-B88/6](#) [2-6609208-5](#) [937-SP-3088-2PC-A192](#) [303066VFL](#) [303068V](#)