

Type SSQC & SSTC

RoHS 6 Compliant

2410 size SMD fuses, pre-assembled in SMD clips



RoHS6 Compliant

Conflict free metals



These fuse/clip assemblies can be efficiently placed in a single pass. Once reflowed, fuse replacement requires no resoldering.

Electrical Specification

Maximum Recommended Fuse Current Rating 8Amperes,125Volts. Use of SSQ fuses rated higher than 8A, i.e. 10A, 12A, 15A may be suitable with proper evaluation. (Consult with Bel engineering)

Environmental Specification

Operating Temperature	-55 °C to +125 °C
Shock Resistance	MIL-STD-202G, Method 213B, Test Condition I (100 G's peak for 6 milliseconds; Sawtooth Waveform)
Vibration Resistance	MIL-STD-202G, Method 201A (10-55 Hz, 0.06 inch, total excursion).
Solderability	MIL-STD-202G, Method 208H
Insulation Resistance	MIL-STD-202, Method 302, Test Condition A (After Opening) 10,000 ohms minimum.
Thermal Shock	MIL-STD-202G, Method 107G, Test Condition B (-65 °C to +125 °C).

Features

- Surface mount, 2410 assembly
- Allows solderless field replacement of open fuse
- Available in rating of SSQC 250mA to 8A and SSTC 375mA to 7A
- Wide operating temperature range
- Tape and Reel for automatic placement

Applications

- Notebook
- LCD monitor
- PC computer
- Office electronic equipment
- Industrial equipment
- Medical equipment
- POE, POE+
- LCD / LED monitor
- Power supply
- LCD / LED TV

HALOGEN FREE = **HF**

LEAD FREE = **Pb**

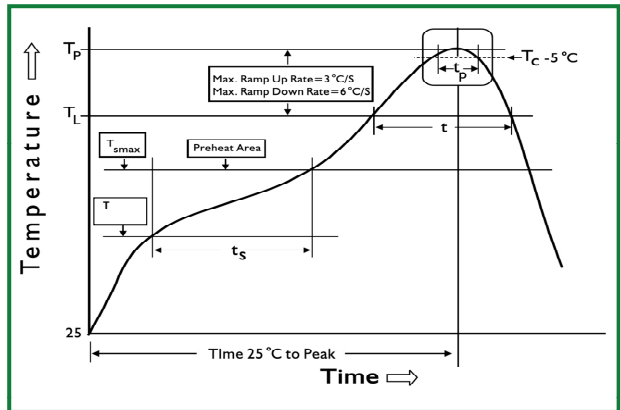
RoHS 6 Compliant Product

Lead-free IR Reflow Profile (IPC/JEDEC J-STD-020D)	
Reflow Parameter	
Minimum preheat temperature (TsMIN)	150°C
Maximum preheat temperature (TsMAX)	200°C
Preheat Time	60-180 seconds
TsMAX to TL ramp-up rate	3°C / second max.
Time above temperature TL (TL)	217 °C 60-120 seconds
Peak Temperature (TP)	260 °C max.
Time Within +0 °C / -5 °C of Peak TP	20 - 40 seconds.
Ramp-down rate	6°C / second max.

SSQ Square Ceramic Surface mount Quick Action Fuse	
Catalog Number	Ampere Rating
SSQC 250	250mA
SSQC 375	375mA
SSQC 500	500mA
SSQC 750	750mA
SSQC 1	1A
SSQC 1.25	1.25A
SSQC 1.5	1.5A
SSQC 2	2A
SSQC 2.5	2.5A
SSQC 3	3A
SSQC 3.5	3.5A
SSQC 4	4A
SSQC 5	5A
SSQC 6.3	6.3A
SSQC 7	7A
SSQC 8	8A

Consult manufacturer for other ratings

SST Square Ceramic Surface mount Slow Blow Fuse	
Catalog Number	Ampere Rating
SSTC 375	375mA
SSTC 500	500mA
SSTC 625	625mA
SSTC 750	750mA
SSTC 1	1A
SSTC 1.5	1.5A
SSTC 2	2A
SSTC 2.5	2.5A
SSTC 3	3A
SSTC 3.5	3.5A
SSTC 4	4A
SSTC 5	5A
SSTC 7	7A



Physical Specification

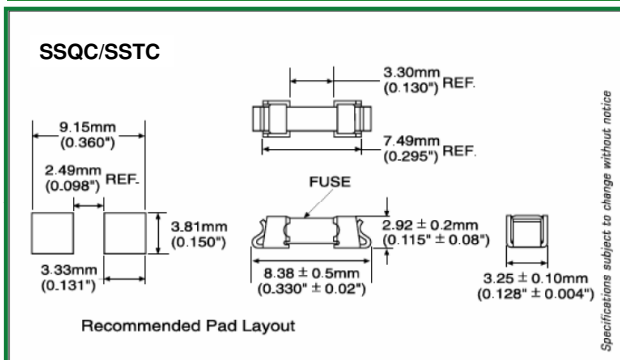
Materials	Clip Terminals: Matte Tin Plated Inconel Alloy
-----------	--

Specifications Subject to change without notice.

Packaging

Packaging Tape & Reel	Packaging Specification	Quantity	Part Number Code	Type
16 mm wide tape, 8mm pitch with 7 inches Diameter reel	EIA Standard 481-D	500	0679-XXXX-12	SSQC
16 mm wide tape, 8mm pitch with 7 inches Diameter reel	EIA Standard 481-D	500	0680-XXXX-12	SSTC

Mechanical Dimensions



X-ON Electronics

Largest Supplier of Electrical and Electronic Components

Click to view similar products for [Surface Mount Fuses](#) category:

Click to view products by [Bel Fuse](#) manufacturer:

Other Similar products are found below :

[FHC20402ADTP](#) [NFVC6125S0R50TRF](#) [SFT-125MA](#) [TF16SN2.00TTD](#) [TR/3216LR-500MA](#) [CCP2B20TTE](#) [FCC16501ABTP](#)
[FHC16322ADTP](#) [0308.250UR](#) [0308.375UR](#) [0308.500UR](#) [030801.5UR](#) [FCC16202ABTP](#) [03081.25UR](#) [F0603G0R03FNTR](#) [SKY87604-11](#)
[3404.0110.22](#) [SEF 0.375A 125V \(G\)](#) [1211015](#) [S1206-F-3.0A](#) [9321315278](#) [S0603-F-4.0A](#) [SMT1315AP](#) [0603TD-4A](#) [1240FH-30A](#)
[R451003.L](#) [R451.500L](#) [R451001.L](#) [3-103-119](#) [3-103-123](#) [3-103-127](#) [0154002.DRL](#) [0154008.DRL](#) [0154.500DRL](#) [189140.1,25](#) [189140.0,8](#)
[189140.0,4](#) [189140.0,63](#) [189140.0,25](#) [0468003.WR](#) [0494001.NRHF](#) [0494002.NRHF](#) [0494003.NRHF](#) [049402.5NRHF](#) [049403.5NRHF](#)
[0494.250NRHF](#) [0494.375NRHF](#) [0494.500NRHF](#) [CF06V3T1R60](#) [CF06V3T2R50](#)