

# RED INDICATES ORIGINAL

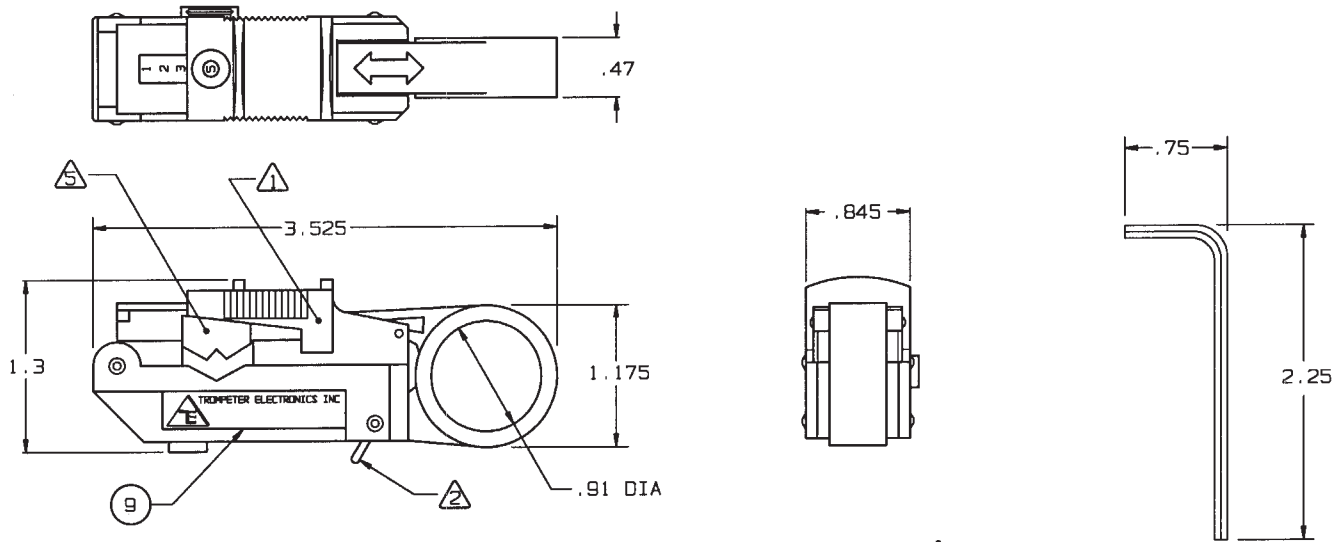
V-BLOCK		
COLOR	CABLE TYPE	SLIDE PROGRESSION
RED	RG174	3,2,1
RED	RG182	3,2,1
RED	RG122	4,3
BLUE	RG142	3,2,1
BLUE	RG58	4,3,2
BLUE	RG59	5,4
YELLOW	8281	4,3,2
WHITE	RG174, 188,316	4,3

INCH	MM
.3185	8.09
.39	9.91
.47	11.94
.75	19.05
.845	21.46
.86	21.84
.91	23.11
1.175	29.84
1.3	33.02
2.25	57.15
3.525	89.54

DWG SIZE  
B

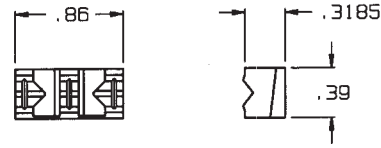
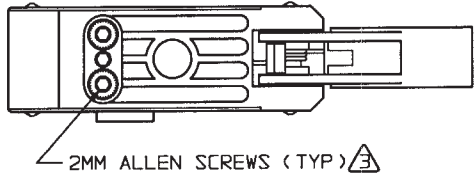
DATA CONTAINED IN THIS DOCUMENT IS PROPRIETARY TO TROMPETER ELECTRONICS INC. AND SHALL NOT BE DISCLOSED, COPIED OR USED FOR PROCUREMENT OR MANUFACTURE WITHOUT EXPRESS WRITTEN PERMISSION.

REVISIONS			010-0028		SH
REV	EO	DESCRIPTION	DWN	APPROVED	DATE
C	10440	ITEM 2 "BOX W/LABLES WAS" "CARRING CASE"	DKC	BM, RY	7/22/93



STRIPPING TOOL

2MM ALLEN WRENCH



V-BLOCK

- 7. ALL DIM ARE IN INCHES
- 6. CASSETTES TO BE ORDERED SEPARATELY REFER TO DWG NO: 010-0029
- SHOWN WITH ONE V-BLOCK INSTALLED
- V-BLOCKS MAY BE USED WITH CABLES OTHER THAN THOSE LISTED IN TABLE
- CASSETTE BLADE ADJUSTMENT SCREWS
- CASSETTE REMOVAL LEVER
- CUTTING DEPTH SLIDE

1	LABEL	B-0993-1	9
1	V-BLOCK-WHITE	-108	8
1	OPERATION MANUAL (NOT SHOWN)	-107	7
1	2MM ALLEN WRENCH	-106	6
1	V-BLOCK-YELLOW	-105	5
1	V-BLOCK-BLUE	-104	4
1	V-BLOCK-RED	-103	3
1	BOX W/LABLES (NOT SHOWN)	-102	2
1	STRIPPING TOOL	-101	1
QTY	DESCRIPTION	PART NUMBER	ITEM

TOL UNLESS SPECIFIED				ST1	
.XX ±	.XXX ±	.XXXX ±	ANGLE ±		
DWN	DKC	9-3-93	MATERIAL	CODE IDENT	DRAWING NO.
CHK	BM	9-22-93		14949	010-0028
ENGR					
APPR	RY	7-22-93	SCALE	DATE 8/5/81	SHEET

010-0054  
NEXT ASSY

## X-ON Electronics

Largest Supplier of Electrical and Electronic Components

*Click to view similar products for [Wire Stripping & Cutting Tools](#) category:*

*Click to view products by [Bel Fuse](#) manufacturer:*

Other Similar products are found below :

[6-690504-4](#) [693855-1](#) [813066-2](#) [844764-5](#) [844765-5](#) [1-240642-7](#) [133900-001](#) [1-356885-4](#) [1424635-1](#) [1424649-1](#) [1424650-1](#) [1440-0013-84](#)  
[1-458031-5](#) [1-458030-5](#) [MT10-250Q](#) [1755](#) [2-539783-7](#) [L-5211](#) [1633578-3](#) [F10-10Q](#) [1-844765-9](#) [251465-1](#) [R282066100](#) [313808-1](#)  
[CST596711](#) [458031-9](#) [462839-1](#) [467281-1](#) [4-690504-2](#) [406339-3](#) [L-4994](#) [45-265](#) [453653-1](#) [45-418](#) [455177-1](#) [455671-4](#) [458144-8](#) [462007-](#)  
[1](#) [462548-1](#) [464661-1](#) [224186-1](#) [679746-1](#) [809687-1](#) [852080-2](#) [856695-8](#) [11-40-4082](#) [458030-1](#) [679326-7](#) [605744-1](#) [690784-2](#)