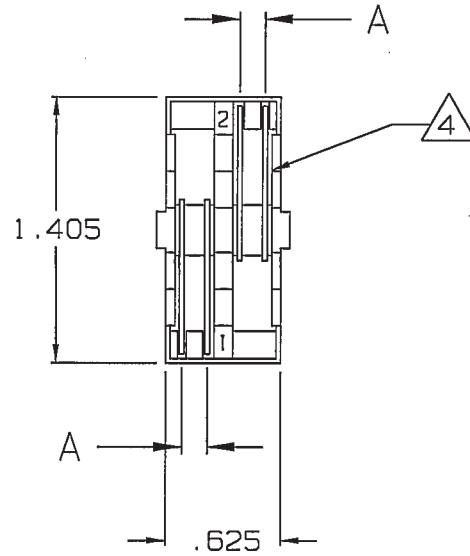
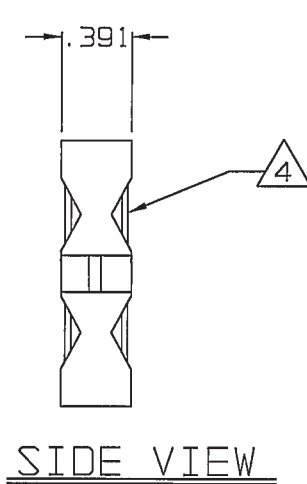


DASH NO	MODEL NO	COLOR	A DIM	B DIM	C DIM
-1	STC-W	GRAY	.156	—	—
-2	STC-F	LT GRN	—	.108/3	.330/3
-3	STC-FR	CLEAR	.439	.203	—
-4	STC-WM	BLUE	.125	—	—
-5	STC-DF	BLACK	—	.161	.236
-6	STC-DF2	DK GRN	.125	—	—

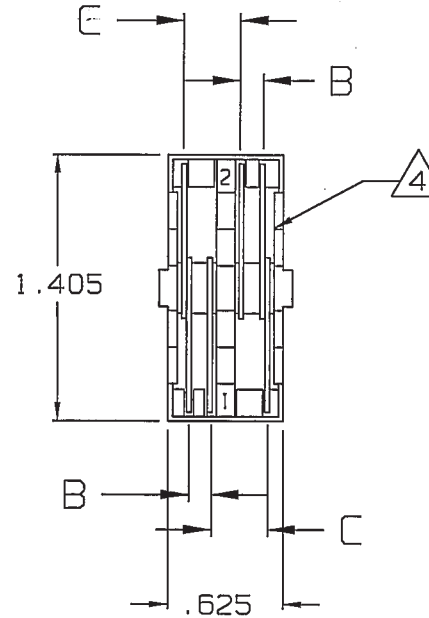
DATA CONTAINED IN THIS DOCUMENT IS PROPRIETARY TO TROMPETER ELECTRONICS INC. AND SHALL NOT BE DISCLOSED, COPIED OR USED FOR PROCUREMENT OR MANUFACTURE WITHOUT EXPRESS WRITTEN PERMISSION OF TROMPETER ELECTRONICS INC.

REVISIONS		010-0029	SH 1
REV	DESCRIPTION	DATE	APPROVED
H	REVISED PER ECD 15861	5-19-05	BS

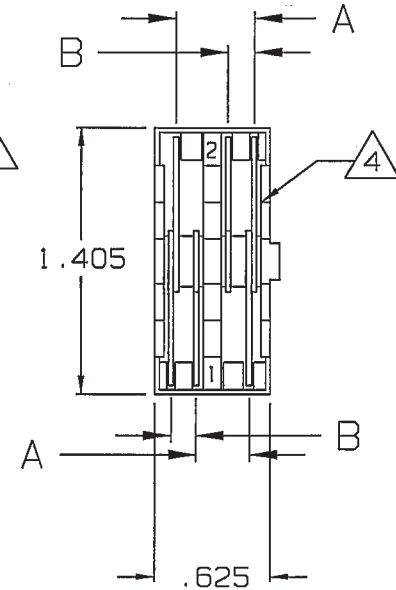
**RED INDICATES ORIGINAL**



-1/-4/-6  
2-BLADE



-2/-5  
3-BLADE



-3  
3 - BLADE

4 SHARP EDGE OF BLADES  
FACE NUMBERED SIDE  
OF UNITS: -1, -2, & -4

3 MAY BE USED FOR TEI STANDARD  
3-STEP STRIP DIMENSION REQUIREMENT

2. STRIPPING TOOL CASSETTE BOTH "W"  
(WRENCH CRIMP), "F" (FULL CRIMP) "FR"  
(FULL CRIMP RIGHT ANGLE UPLRN220), AND  
"WM" (WRENCH CRIMP MINIATURE, PL50)  
VERSIONS FOR USE WITH ST1 TOOL

1. ALL DIM ARE IN INCHES

INTERPRET DRAWING PER MIL-STD-100 DIMENSIONS ARE IN INCHES AND INCLUDE FINISH THICKNESS UNLESS OTHERWISE SPECIFIED		TOL: UNLESS SPECIFIED .XX .XXX ±.003 .XXXX ±.0010 ANGLES ±0°30'	
DRAWN AAH	DATE 5-11-05	MATERIAL:	TITLE:
CHECKED S. Khan	5-11-05		STC
QUALITY MS	5/12/05	FINISH:	SIZE A
MANUF JK	5/12/05		CAGE CODE 14949
APPROVED BS	5-11-05	DO NOT SCALE DWG	DRAWING NO. 010-0029
	CAD FILE NO. 010-0029H		REV. H
NEXT ASSY		SCALE 1/1	DATE: 5-18-79
			SHEET 1C

## X-ON Electronics

Largest Supplier of Electrical and Electronic Components

*Click to view similar products for [Wire Stripping & Cutting Tools](#) category:*

*Click to view products by [Bel Fuse](#) manufacturer:*

Other Similar products are found below :

[6-690504-4](#) [693855-1](#) [813066-2](#) [844764-5](#) [844765-5](#) [1-240642-7](#) [133900-001](#) [1-356885-4](#) [1424635-1](#) [1424649-1](#) [1424650-1](#) [1440-0013-84](#)  
[1-458031-5](#) [1-458030-5](#) [MT10-250Q](#) [1755](#) [2-539783-7](#) [L-5211](#) [1633578-3](#) [F10-10Q](#) [1-844765-9](#) [251465-1](#) [R282066100](#) [313808-1](#)  
[CST596711](#) [458031-9](#) [462839-1](#) [467281-1](#) [4-690504-2](#) [406339-3](#) [L-4994](#) [45-265](#) [453653-1](#) [45-418](#) [455177-1](#) [455671-4](#) [458144-8](#) [462007-](#)  
[1](#) [462548-1](#) [464661-1](#) [224186-1](#) [679746-1](#) [809687-1](#) [852080-2](#) [856695-8](#) [11-40-4082](#) [458030-1](#) [679326-7](#) [605744-1](#) [690784-2](#)