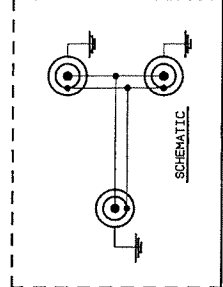
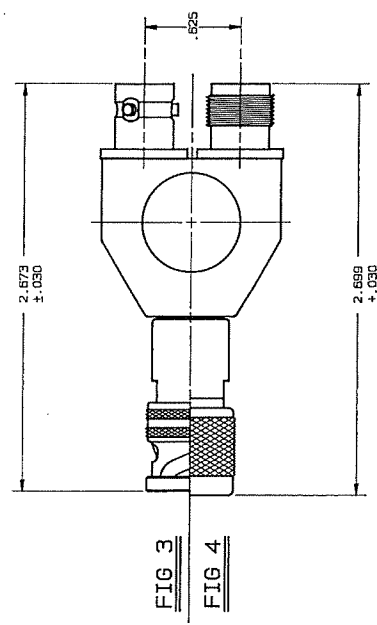
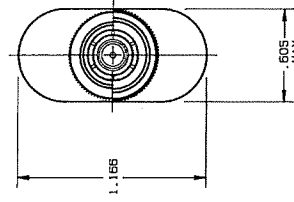
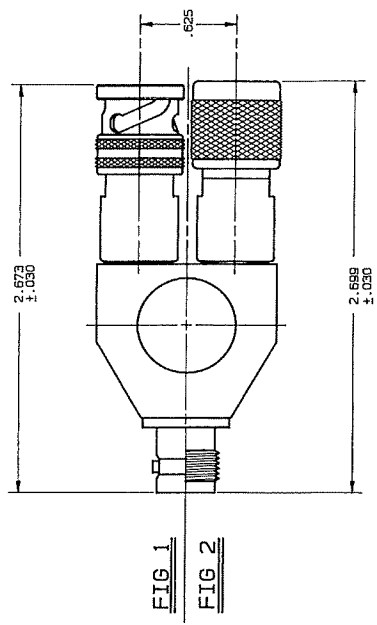
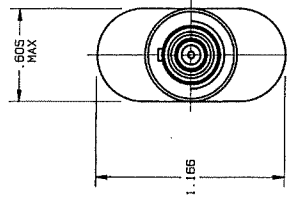


DRG #	DWG SIZE	DATA CONTAINED IN THIS DOCUMENT IS THE PROPERTY OF TROMPETER ELECTRONICS, INC. FOR EXCLUSIVE USE OF THE CUSTOMER. NO PART OF THIS DOCUMENT IS TO BE REPRODUCED OR TRANSMITTED IN ANY FORM OR BY ANY MEANS, ELECTRONIC OR MECHANICAL, INCLUDING PHOTOCOPYING, RECORDING, OR BY ANY INFORMATION STORAGE AND RETRIEVAL SYSTEM.	REVISED	DESCRIPTION	REVISIONS	DWN	APPROVED	SH 1
C4	C		L	8/722 .605 MAX WAS .600 & BECOMING .605 MAX		AAH	1-0252	DATE 1/2/72

DASH NO	MODEL NO	CONN TYPE	FIG NO
-1	TN2	3-LUG	1
-2	TN2A	3-LUG	3
-3	TN2T	THREADED	2
-4	TN2TA	2-LUG	4
-5	TN2TL	2-LUG	1
-6	TN2TLLA	4-LUG	3
-7	TN2TFL	4-LUG	1
-8	TN2FLA	4-LUG	3

INCH	MM
.005	0.13
.030	0.76
.600	15.24
.625	15.88
1.165	29.62
2.673	67.86
2.699	68.55



3. FIXED PARALLEL NETWORKS, CONCENTRIC TWINAX, TRIAX, 2, 3, 4-LUG & THREADED PLUG(S) & JACK(S)
2. FINISH: TFS-1A (NICKEL)
1. ALL DIM ARE IN INCHES

QTY	DESCRIPTION	PART NUMBER	ITEM
10, UNLESS SPECIFIED	TROMPETER	TN2/2A/2T/2TA/2TL/2TLA/2FL/2FLA	
.XX ± .005	ELECTRONICS, INC.		
.5000E			
UNLESS OTHERWISE SPECIFIED			
DRY TAP 12-11-86	MATERIAL CODE IDENT	DRAWING NO.	REV
1/27/87	14949	1-0252	L
12/27/89			
APPR 12/27/89	SCALE 2/1	DATE 12-29-85	SHEET 1 OF 2

RED INDICATES ORIGINAL

X-ON Electronics

Largest Supplier of Electrical and Electronic Components

Click to view similar products for [RF Adapters - Tee category](#):

Click to view products by [Bel Fuse manufacturer](#):

Other Similar products are found below :

[R142782000](#) [R114780000W](#) [R142780000W](#) [R143780000](#) [R143782000](#) [344A505](#) [TN2](#) [443A505](#) [5207-1501-000](#) [R125780000](#) [BNC-TA-JJJ\(40\)](#) [R125780001](#) [034-1023](#) [ADP-BNCF-2BNCF](#) [73148-5003](#) [31-208-1051](#) [CT3312](#) [53S301-K00N5](#) [CT2411](#) [43_SMB-50-0-2/111_NE](#) [32K301-K00L5](#) [46_SMA-50-0-1/111_NE](#) [51S303-K00N5](#) [32S301-K00L5](#) [43_N-50-0-1/133_NE](#) [CPAD705](#) [BN153](#) [031-208-1051](#) [031-70036](#) [082-102](#) [112455](#) [112456](#) [112459](#) [112461](#) [112462](#) [112567](#) [112590](#) [122354](#) [122356](#) [132216](#) [132217](#) [142300](#) [172125](#) [172127](#) [172233](#) [21900](#) [31-208](#) [31-208-RFX](#) [31-2208](#) [31-8](#)