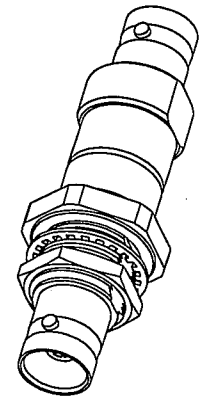
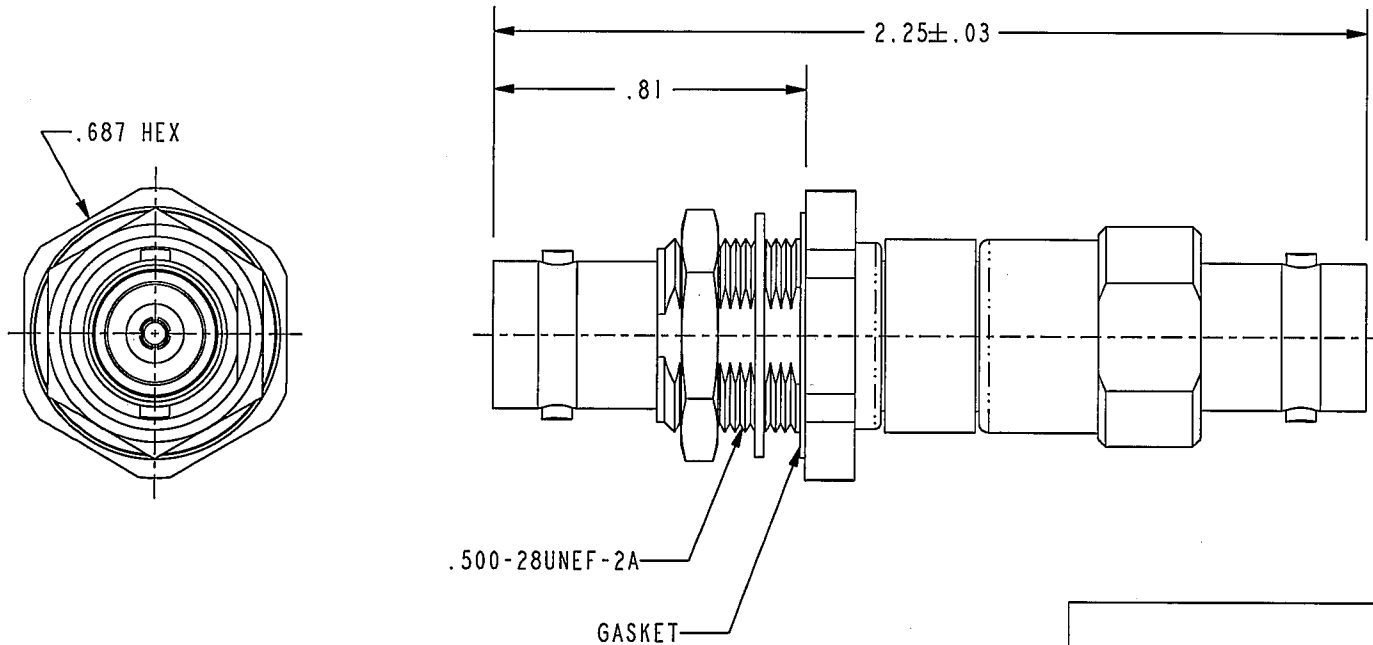


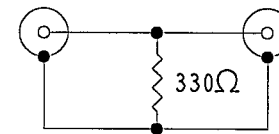
DATA CONTAINED IN THIS DOCUMENT IS PROPRIETARY TO TROMPETER ELECTRONICS INC. AND SHALL NOT BE DISCLOSED, COPIED OR USED FOR PROCUREMENT OR MANUFACTURE WITHOUT EXPRESS WRITTEN PERMISSION.

REVISIONS			
REV	DESCRIPTIONS	DATE	APPROVED
A	PRODUCTION RELEASE		

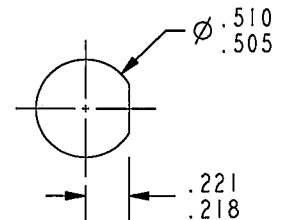


SCALE 1/1

RED INDICATES ORIGINAL



SCHMATIC



RECOMMENDED PANEL CUTOUT
SCALE 1/1

3. FINISH-
HOUSING: TFS-1A (NICKEL)
CONTACTS: TFS-1B (GOLD)
2. MAXIMUM PANEL THICKNESS: 0.218
1. 50Ω BNC RECEPTACLE TO 50Ω BNC RECEPTACLE BULKHEAD MOUNT ADAPTER WITH 330Ω , 1W, 2% RESISTOR

NOTES: UNLESS OTHERWISE SPECIFIED.

INTERPRET DRAWING PER MIL-STD-100. DIMENSIONS ARE IN INCHES AND INCLUDE FINISH THICKNESS UNLESS OTHERWISE SPECIFIED.

TOL: UNLESS SPECIFIED.
.XX $\pm .02$
.XXX $\pm .010$
ANGLE $\pm 1^\circ$



DRN	JCM	4-18-02	MATERIAL:	TITLE:
CHK	AAH	4-18-02	FINISH:	TNA2-50 SPECIAL
QUAL		4-19-02	SEE NOTE 3	
MANUF		4/19/02		
APPROVED		4/18/02		

SIZE	CAGE CODE	DRAWING NO.	REV.
A	14949	105-2143	A
SCALE	DATE	SHEET	
2/1	4-19-02	1 OF 2	

NEXT ASSY

PROJ FILE NO.
105-2143

DO NOT SCALE DWG

X-ON Electronics

Largest Supplier of Electrical and Electronic Components

Click to view similar products for [RF Terminators](#) category:

Click to view products by [Bel Fuse](#) manufacturer:

Other Similar products are found below :

[M390303-02N](#) [M39030/3-04S](#) [M39030/3-09S](#) [M39030/3-11N](#) [TNG1-9-78-D3](#) [TNA2-50](#) [TNG1-6-78](#) [TNH1-1-50](#) [R404280000](#) [TNGFL1-1-78](#) [R4042N5000](#) [53S1RR-001N3](#) [142275](#) [56S1RR-001N4](#) [65_BNC-50-0-7/133_NE](#) [71S1RR-001N4](#) [02S17R-001D3](#) [R404240120](#) [R404260000](#) [HT-10-2](#) [FL LCX 50-OHM-RSMA](#) [M39030/3-04N](#) [TNA1-6-50](#) [131-3801-811](#) [TNA1-1-50](#) [65_N-50-0-51/113_NE](#) [65_BNC-50-0-2/133_NE](#) [65_N-50-0-1/133_NE](#) [65002_N-50-1/122_NE](#) [65_MMCX-50-0-31/111_OE](#) [18K15R-0.5E3](#) [2702702](#) [TRM-2161-M0-35M-02](#) [53S17R-001N3](#) [1100.19.0001](#) [6701.01.B](#) [18S24H-40ML5](#) [TRM-2053-M0-NNN-02](#) [R404759000](#) [M39030/6-02N](#) [TRM-2053-MC-NNN-02](#) [M39030/3-03S](#) [SF8012-6009](#) [6701.01.A](#) [65_MCX-50-0-4/111_NE](#) [65_716-50-0-2/003_-E](#) [65_SMB-50-0-1/111_NE](#) [M39030/3-12N](#) [82-5722-RFX](#) [8018-6174](#)