

| DASH NO | DESCRIPTION | DASH NO | DESCRIPTION |
|---------|----------------------------|---------|---|
| -1 | TERM (NO CHAIN) | -12 | TERM WITH 2.5 JACKETED STAINLESS STEEL ROPE |
| -2 | TERM WITH 2.5 BRASS CHAIN | -13 | TERM WITH 3.0 JACKETED STAINLESS STEEL ROPE |
| -3 | TERM WITH 2.5 NYLON CHAIN | -14 | TERM WITH 6.0 JACKETED STAINLESS STEEL ROPE |
| -4 | TERM WITH 3.0 BRASS CHAIN | -15 | TERM WITH 4.0 JACKETED STAINLESS STEEL ROPE |
| -5 | TERM WITH 3.0 NYLON CHAIN | -16 | TERM WITH 7.0 JACKETED STAINLESS STEEL ROPE |
| -6 | TERM WITH 6.0 BRASS CHAIN | -17 | TERM WITH 4.5 JACKETED STAINLESS STEEL ROPE |
| -7 | TERM WITH 6.0 NYLON CHAIN | | |
| -8 | TERM WITH 4.0 BRASS CHAIN | | |
| -9 | TERM WITH 4.0 NYLON CHAIN | | |
| -10 | TERM WITH 10.0 BRASS CHAIN | | |
| -11 | TERM WITH 10.0 NYLON CHAIN | | |

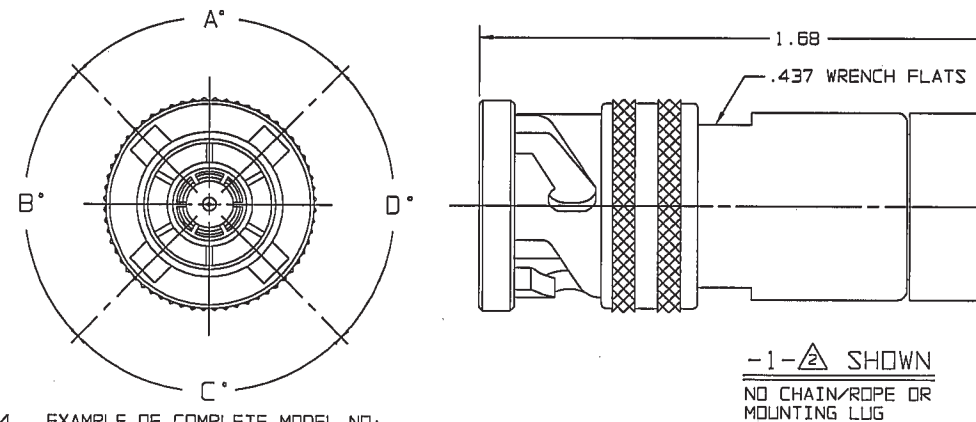
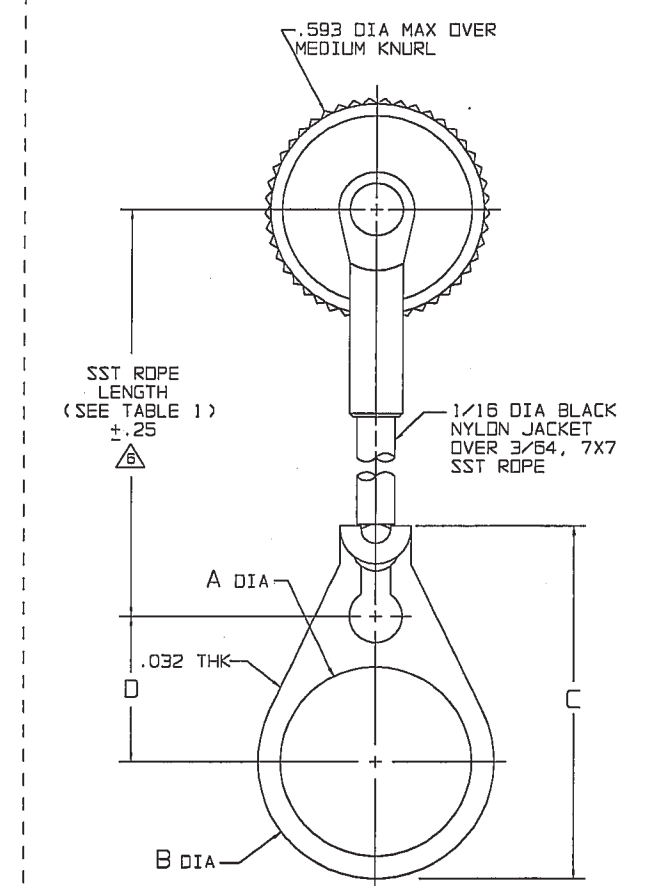
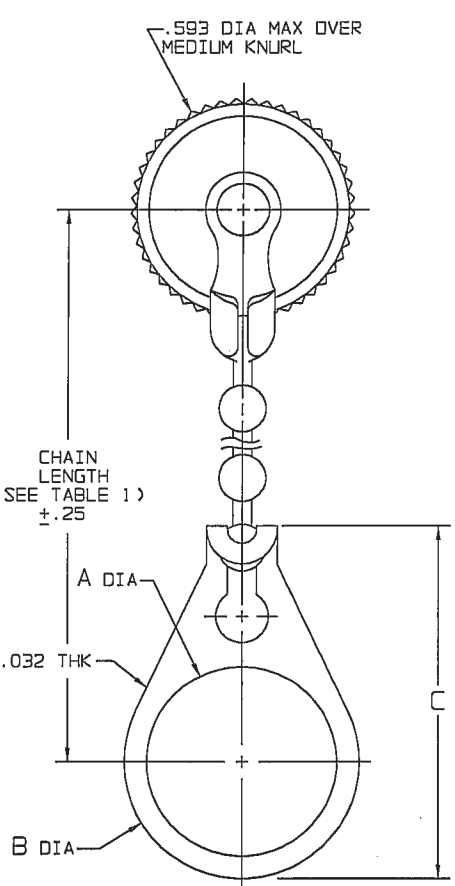
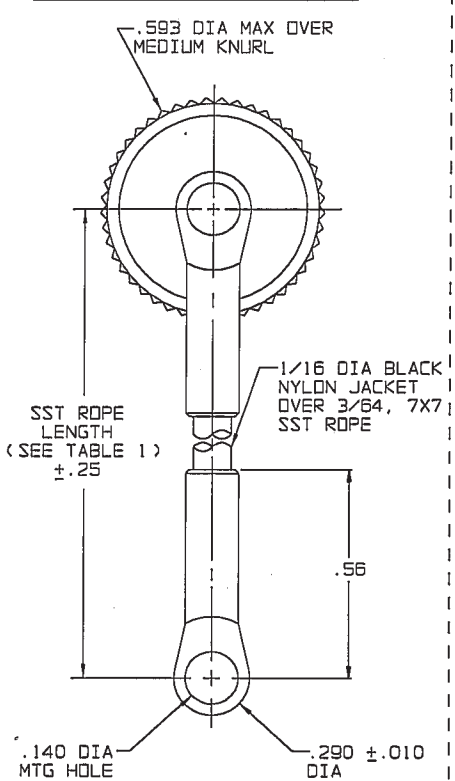
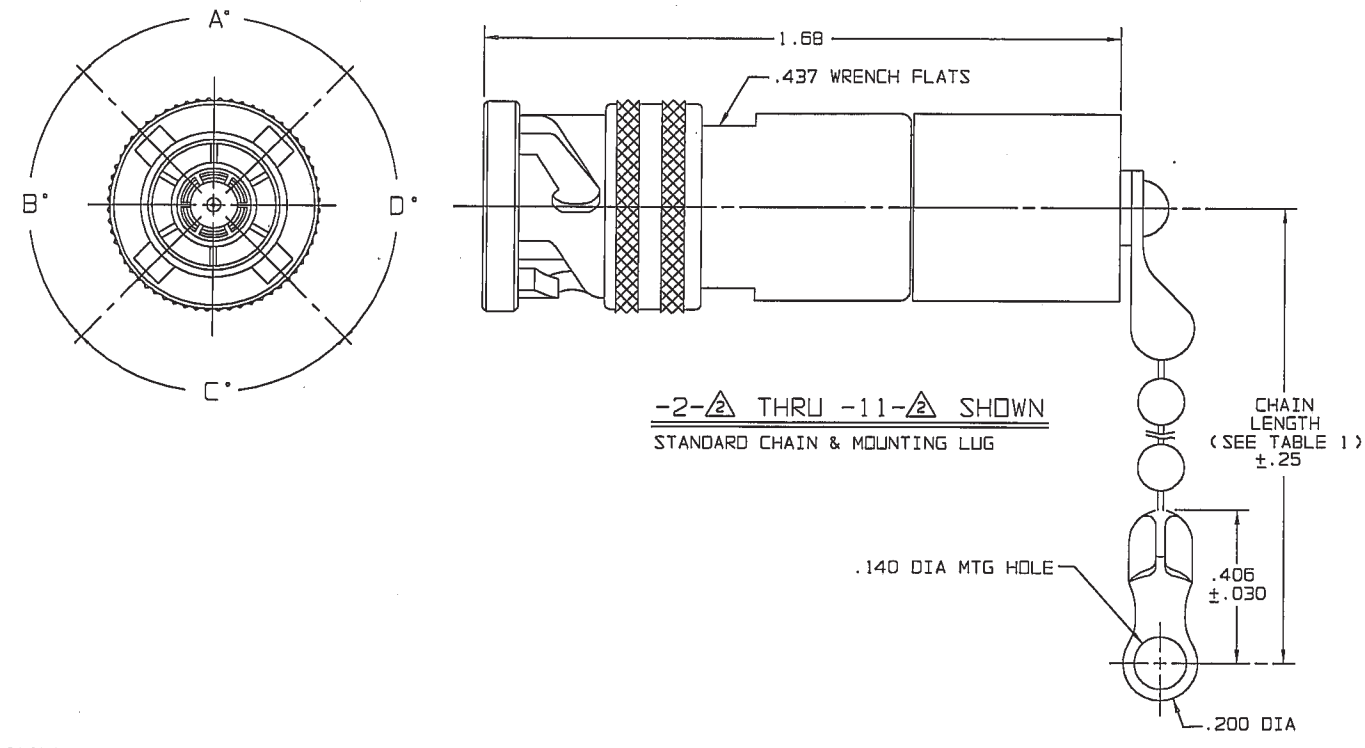
| MODEL NO | TYPE CONN | POLARIZATION | | | |
|----------|-----------|--------------|----------|----------|----------|
| | | A DEGREE | B DEGREE | C DEGREE | D DEGREE |
| TNG1 | 3 LUG | 120° | 120° | 120° | — |
| TNGFL1 | 4 LUG | 90° | 90° | 90° | 90° |
| TNGTL1 | 2 LUG | 180° | 180° | — | — |
| TNG1T | 3 LUG | 100° | 150° | 110° | — |
| TNG1U | | 120° | 130° | 110° | — |
| TNG1V | | 115° | 130° | 115° | — |
| TNG1W | | 125° | 110° | 125° | — |
| TNG1X | | 130° | 100° | 130° | — |
| TNG1Y | | 110° | 140° | 110° | — |
| TNG1Z | | 100° | 160° | 100° | — |
| TNG1S | | 135° | 135° | 90° | — |

| DASH NO | "A" DIA | "B" DIA | "C" DIM | "D" DIM |
|---------|---------|---------|---------|---------|
| -D1 | .755 | .875 | 1.191 | .512 |
| -D2 | .630 | .750 | 1.066 | .450 |
| -D3 | .505 | .625 | .941 | .388 |
| -D4 | .439 | .562 | .878 | .355 |
| -D5 | .380 | .500 | .816 | .325 |
| -D6 | .317 | .437 | .753 | .295 |
| -D7 | .281 | .406 | .722 | .278 |
| -D8 | .610 | .750 | 1.066 | .450 |
| -D9 | .567 | .687 | 1.003 | .419 |
| -DD8 | .330 | .450 | .766 | .300 |

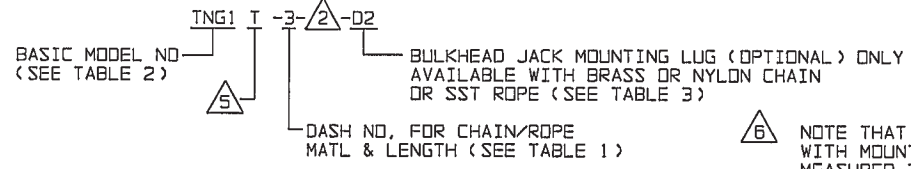
DATA CONTAINED IN THIS DOCUMENT IS PROPRIETARY TO TROMPETER ELECTRONICS INC. AND SHALL NOT BE DISCLOSED, COPIED OR USED FOR PROCUREMENT OR MANUFACTURE WITHOUT EXPRESS WRITTEN PERMISSION OF TROMPETER ELECTRONICS INC.

| REVISIONS | | 310-0033 | SH 1C |
|-----------|------------------------|----------|----------|
| REV | DESCRIPTION | DATE | APPROVED |
| AF | REVISED PER ECO #14443 | 3-5-02 | MM |

RED INDICATES ORIGINAL



4. EXAMPLE OF COMPLETE MODEL NO:



3. 2, 3 & 4 LUG CONCENTRIC TWINAX/TRIAX TERMINATION PLUG WITH CHAIN, SST ROPE AND MOUNTING LUG OPTIONS

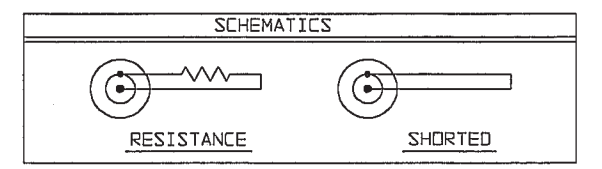
2. RESISTANCE VALUE IN OHMS, 1/2W, 1%. "S" = CONTACT SHORTED TO INNER SHIELD (NO RESISTOR) "D" = LOOSELY ASSEMBLED (NO RESISTOR)

1. ALL DIMENSION ARE IN INCHES

6. NOTE THAT LENGTH FOR SST ROPE WITH MOUNTING LUG OPTION IS NOT MEASURED TO CENTER OF BULKHEAD MOUNTING LUG

5. POLARIZATION LETTER; NONE REQUIRED FOR STANDARD POLARIZATION LETTER CODE (SEE TABLE 2)

| INCH | MM | INCH | MM | INCH | MM | INCH | MM | INCH | MM |
|------|------|------|-------|------|-------|------|-------|-------|--------|
| .005 | 0.13 | .295 | 7.49 | .437 | 11.10 | .625 | 15.88 | 1.003 | 25.48 |
| .010 | 0.25 | .300 | 7.62 | .439 | 11.15 | .630 | 16.00 | 1.066 | 27.08 |
| .030 | 0.76 | .317 | 8.05 | .450 | 11.43 | .687 | 17.45 | 1.68 | 42.67 |
| .032 | 0.81 | .325 | 8.26 | .500 | 12.70 | .722 | 18.34 | 2.5 | 63.50 |
| .140 | 3.56 | .330 | 8.38 | .505 | 12.83 | .750 | 19.05 | 3.0 | 76.20 |
| .200 | 5.08 | .355 | 9.02 | .56 | 14.22 | .753 | 19.13 | 4.0 | 101.60 |
| .25 | 6.35 | .380 | 9.65 | .562 | 14.27 | .766 | 19.46 | 4.5 | 114.30 |
| .278 | 7.06 | .388 | 9.86 | .567 | 14.40 | .816 | 20.73 | 6.0 | 152.40 |
| .281 | 7.14 | .406 | 10.31 | .593 | 15.06 | .878 | 22.30 | 7.0 | 177.80 |
| .290 | 7.37 | .419 | 10.64 | .610 | 15.49 | .941 | 23.90 | 10.0 | 254.00 |



| | | | | |
|--|------------------|--|-------------|------------------------|
| INTERPRET DRAWING PER MIL-STD-100 DIMENSIONS ARE IN INCHES AND INCLUDE FINISH THICKNESS UNLESS OTHERWISE SPECIFIED | | TOL: UNLESS SPECIFIED .XX ± .02 .XXX ± .010 .XXXX ANGLES | | |
| DRAWN PD | DATE 2-19-02 | CHECKED | DATE 3-1-02 | |
| QUALITY | DATE 3-5-02 | FINISH: | | SIZE CAGE CODE A 14949 |
| APPROVED | DATE 3/5/02 | DRAWING NO. | 310-0033 | REV. AF |
| CAD FILE NO. 310-0033AE1 | DO NOT SCALE DWG | SCALE | 4/1 | DATE: 7-15-66 SHEET 1C |

NEXT ASSY

X-ON Electronics

Largest Supplier of Electrical and Electronic Components

Click to view similar products for [RF Connectors / Coaxial Connectors](#) category:

Click to view products by [Bel Fuse](#) manufacturer:

Other Similar products are found below :

[8915-1511-000](#) [89674-0827](#) [6001-7071-019](#) [6002-7051-003](#) [6002-7551-202](#) [6059674-1](#) [619550-1](#) [630059-000](#) [M39030/3-01N](#) [6500-7071-046](#) [6769](#) [CX050L2AQ](#) [7002-1541-010](#) [7002-1542-011](#) [7004-1512-000](#) [7009-1511-004](#) [7010-1511-000](#) [7029-1511-060](#) [7101-1541-010](#) [7101-1571-002](#) [7145-1521-002](#) [7203-1571-003](#) [7209-1511-011](#) [7210-1511-015](#) [7210-1511-019](#) [73137-5015](#) [73216-2241](#) [73404-2300](#) [7405-1521-005](#) [7405-1521-802](#) [8527](#) [8547](#) [FS11V](#) [877931](#) [8808-1511-001](#) [9049-9513-000](#) [9074-9513-000](#) [9101-9573-002](#) [910A205F](#) [9130-9573-002](#) [PL11SC-026](#) [PL375-33](#) [PL40-5](#) [PL74C-221](#) [PL75MC-217](#) [PL803-7](#) [980-8666-005](#) [1200690078](#) [1-201144-1](#) [R107003010W](#)