

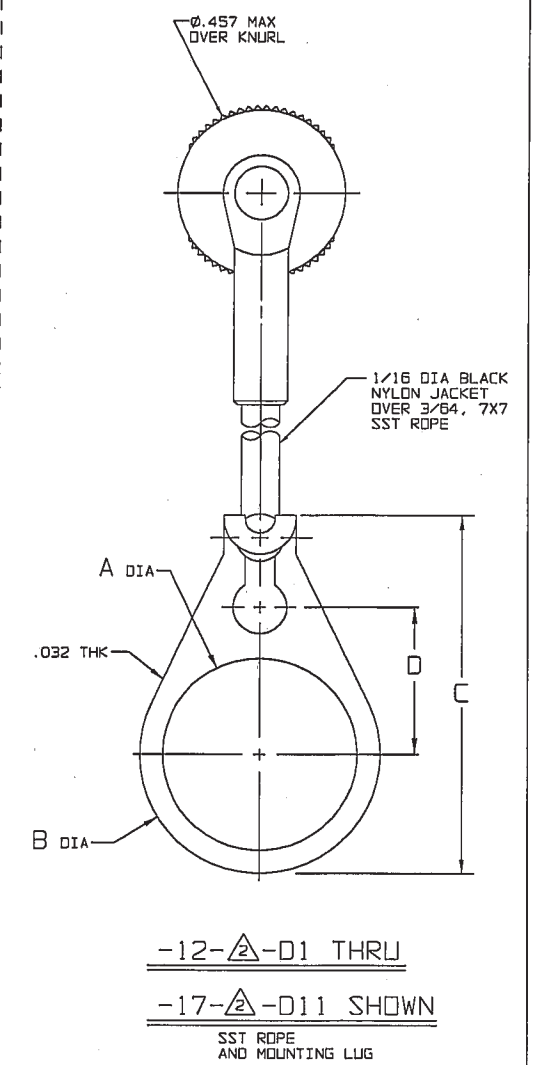
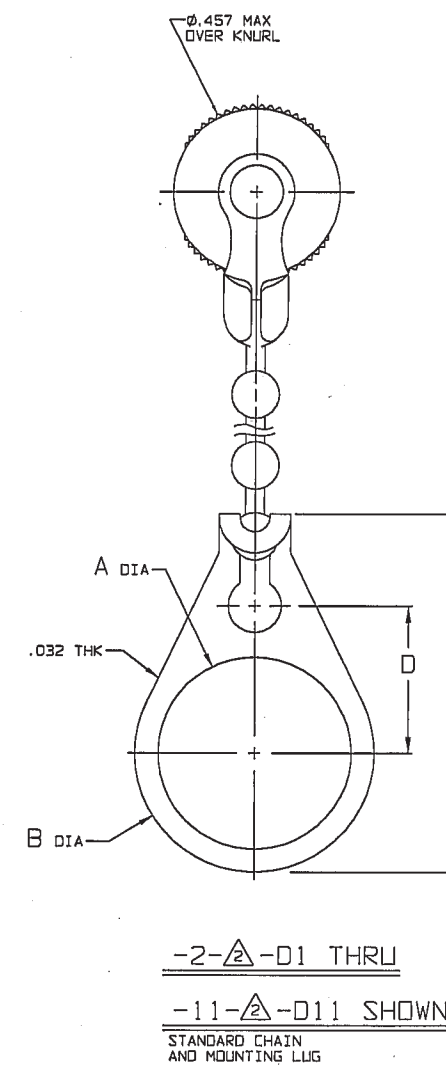
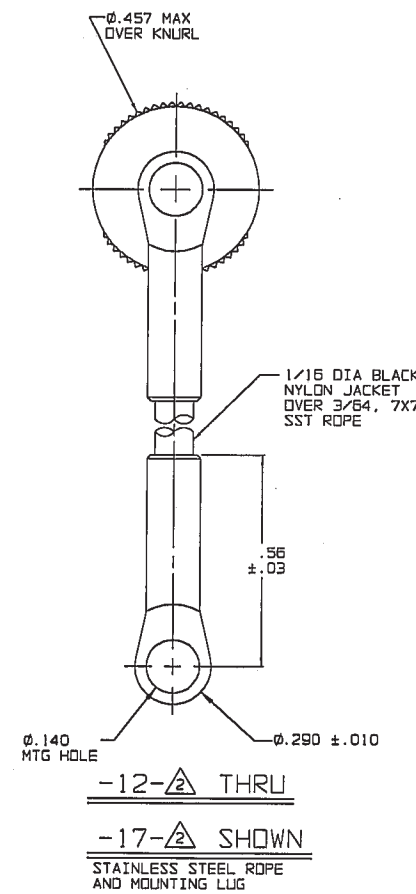
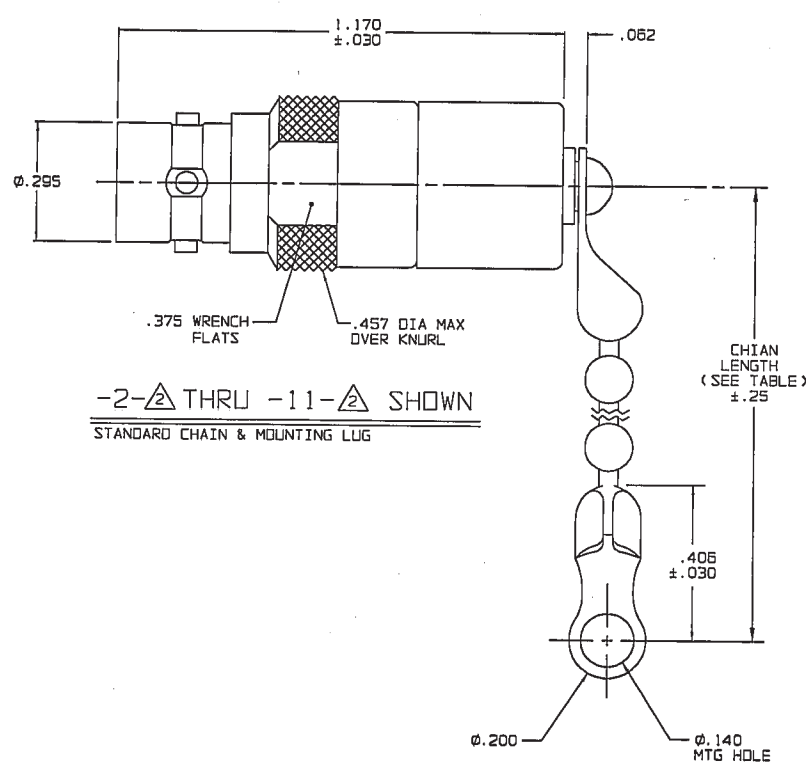
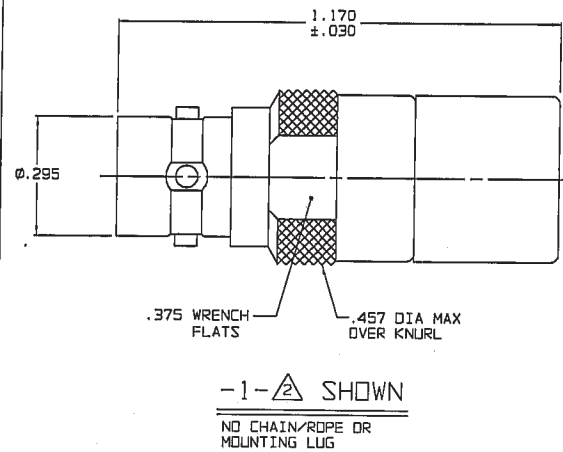
DASH NO	TABLE 1
-1	TERM (NO CHAIN)
-2	TERM WITH 2.5 BRASS CHAIN
-3	TERM WITH 2.5 NYLON CHAIN
-4	TERM WITH 3.0 BRASS CHAIN
-5	TERM WITH 3.0 NYLON CHAIN
-6	TERM WITH 6.0 BRASS CHAIN
-7	TERM WITH 6.0 NYLON CHAIN
-8	TERM WITH 4.0 BRASS CHAIN
-9	TERM WITH 4.0 NYLON CHAIN
-10	TERM WITH 10.0 BRASS CHAIN
-11	TERM WITH 10.0 NYLON CHAIN
-12	TERM WITH 2.5 SST ROPE
-13	TERM WITH 3.0 SST ROPE
-14	TERM WITH 6.0 SST ROPE
-15	TERM WITH 4.0 SST ROPE
-16	TERM WITH 7.0 SST ROPE
-17	TERM WITH 4.5 SST ROPE

DASH NO	"A" DIA	"B" DIA	"C" DIM	"D" DIM
-D1	0.755	0.875	1.191	0.513
-D2	0.630	0.750	1.066	0.450
-D3	0.505	0.625	0.941	0.388
-D4	0.439	0.562	0.878	0.356
-D5	0.380	0.500	0.816	0.325
-D6	0.317	0.437	0.753	0.294
-D7	0.281	0.406	0.722	0.278
-D8	0.610	0.750	1.066	0.450
-DD8	0.330	0.450	0.766	0.300
-D9	0.567	0.687	1.003	0.419
-D10	0.192	0.312	0.628	0.231
-D11	1.005	1.125	1.441	0.638

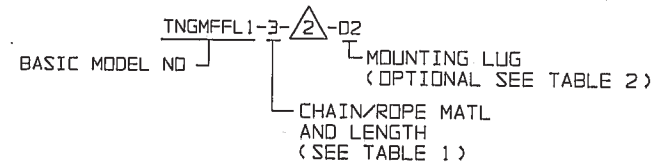
DATA CONTAINED IN THIS DOCUMENT IS PROPRIETARY TO TROMPETER ELECTRONICS, INC. AND SHALL NOT BE DISCLOSED, COPIED OR USED FOR PROCUREMENT OR MANUFACTURE WITHOUT EXPRESS WRITTEN PERMISSION OF TROMPETER ELECTRONICS, INC.

REVISIONS		3-0240	SH 1
REV	DESCRIPTION	DATE	APPROVED
E	REVISED PER ECO 14546	5-21-02	MM

RED INDICATES ORIGINAL



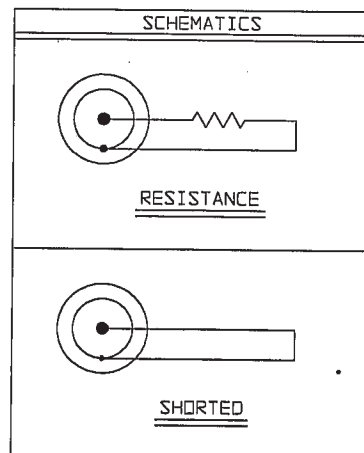
4. EXAMPLE OF COMPLETE MODEL NO:



3. SUBMINIATURE 4-LUG CONCENTRIC TWINAX/TRIAX TERMINATION JACK WITH OR WITHOUT CHAIN/ROPE AND MTG LUG OPTION

△ STANDARD RESISTANCE VALUE IN OHMS 1/8W, 1%
 "S" = CONTACT SHORTED TO INNER SHIELD (NO RESISTOR)
 "O" = LOOSELY ASSEMBLED (NO RESISTOR)

1. FINISH: TFS-1A (NICKEL)



INTERPRET DRAWING PER MIL-STD-100 DIMENSIONS ARE IN INCHES AND INCLUDE FINISH THICKNESS UNLESS OTHERWISE SPECIFIED		TOL: UNLESS SPECIFIED .XX .XXX .XXXX ANGLES	
DRAWN: AAH	DATE: 5-17-02	MATERIAL:	TITLE: TNGMFFL1
CHECKED: JLM	DATE: 5-20-02	FINISH:	SIZE: B 14949
QUALITY: JLM	DATE: 5-21-02	DO NOT SCALE DWG	DRAWING NO.: 3-0240
APPROVED: RM/MSA	DATE: 5/20/02	SCALE: 3/1	DATE: 2/18/85
CAD FILE NO: 3-0240E1			SHEET: 1C

X-ON Electronics

Largest Supplier of Electrical and Electronic Components

Click to view similar products for [RF Terminators](#) category:

Click to view products by [Bel Fuse](#) manufacturer:

Other Similar products are found below :

[M390303-02N](#) [M39030/3-04S](#) [M39030/3-09S](#) [M39030/3-11N](#) [TNG1-9-78-D3](#) [TNA2-50](#) [TNG1-6-78](#) [TNH1-1-50](#) [TNGFL1-1-78](#)
[R4042N5000](#) [53S1RR-001N3](#) [142275](#) [56S1RR-001N4](#) [65_BNC-50-0-7/133_NE](#) [71S1RR-001N4](#) [02S17R-001D3](#) [R404240120](#) [R404260000](#)
[HT-10-2](#) [FL LCX 50-OHM-RSMA](#) [M39030/3-04N](#) [TNA1-6-50](#) [131-3801-811](#) [TNA1-1-50](#) [65_N-50-0-51/113_NE](#) [65_BNC-50-0-2/133_NE](#)
[65_N-50-0-1/133_NE](#) [65002_N-50-1/122_NE](#) [65_MMCX-50-0-31/111_OE](#) [18K15R-0.5E3](#) [2702702](#) [TRM-2161-M0-35M-02](#) [53S17R-](#)
[001N3](#) [1100.19.0001](#) [6701.01.B](#) [18S24H-40ML5](#) [TRM-2053-M0-NNN-02](#) [R404759000](#) [M39030/6-02N](#) [TRM-2053-MC-NNN-02](#)
[M39030/3-03S](#) [SF8012-6009](#) [6701.01.A](#) [65_MCX-50-0-4/111_NE](#) [65_716-50-0-2/003_-E](#) [65_SMB-50-0-1/111_NE](#) [M39030/3-12N](#) [82-](#)
[5722-RFX](#) [8018-6174](#) [SF8018-6005](#)