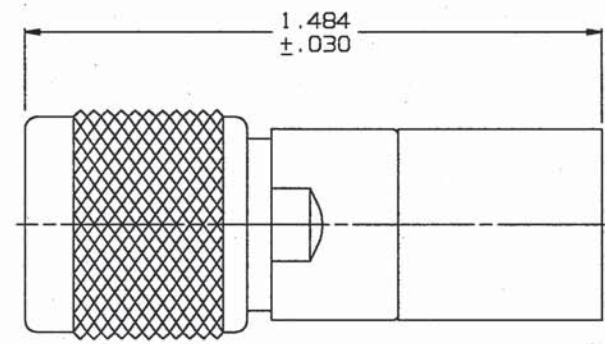


DATA CONTAINED IN THIS DOCUMENT IS PROPRIETARY TO TROMPETER ELECTRONICS INC. AND SHALL NOT BE DISCLOSED, COPIED OR USED FOR PROCUREMENT OR MANUFACTURE WITHOUT EXPRESS WRITTEN PERMISSION.

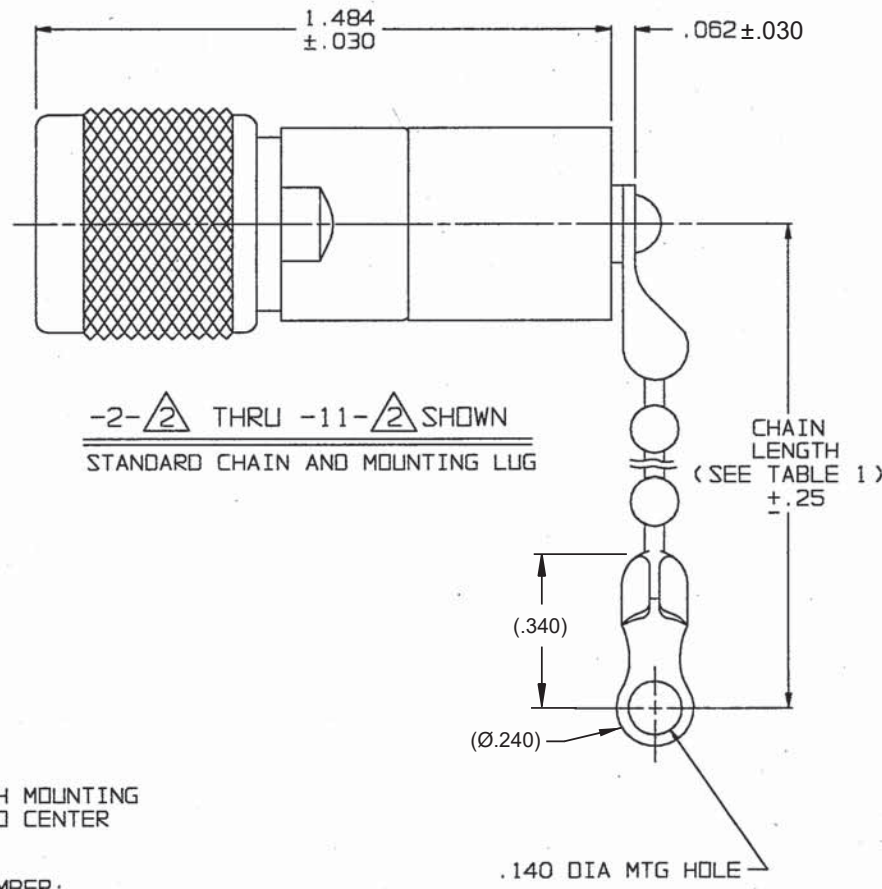
REVISIONS		102-0008	SH 1
REV	DESCRIPTION	APPROVED	DATE
P	REVISED PER ECO 16910	<i>MMK</i>	4/20/09

DASH NO	DESCRIPTION
-1	TERM (NO CHAIN)
-2	TERM WITH 2.5 BRASS CHAIN
-3	TERM WITH 2.5 NYLON CHAIN
-4	TERM WITH 3.0 BRASS CHAIN
-5	TERM WITH 3.0 NYLON CHAIN
-6	TERM WITH 6.0 BRASS CHAIN
-7	TERM WITH 6.0 NYLON CHAIN
-8	TERM WITH 4.0 BRASS CHAIN
-9	TERM WITH 4.0 NYLON CHAIN
-10	TERM WITH 10.0 BRASS CHAIN
-11	TERM WITH 10.0 NYLON CHAIN
-12	TERM WITH 2.5 SST ROPE
-13	TERM WITH 3.0 SST ROPE
-14	TERM WITH 6.0 SST ROPE
-15	TERM WITH 4.0 SST ROPE
-16	TERM WITH 7.0 SST ROPE
-17	TERM WITH 4.5 SST ROPE
-18	TERM WITH 12.0 SST ROPE
-19	TERM WITH 18.0 SST ROPE

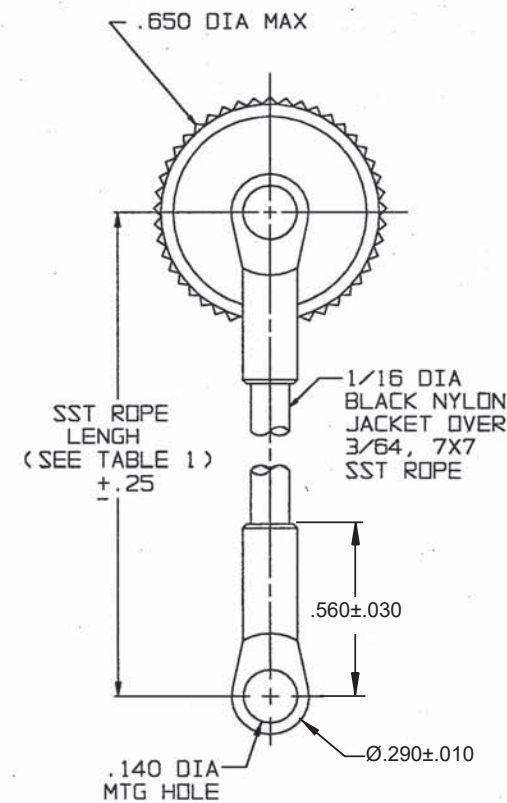
DASH NO	"A" DIA	"B" DIA	"C" DIM	"D" DIA
-D2	.630	.750	1.066	.450
-D3	.505	.625	.941	.388
-D4	.439	.562	.878	.356
-D5	.380	.500	.816	.325
-D6	.317	.437	.753	.294
-D7	.281	.406	.722	.278
-D8	.610	.750	1.066	.450
-D9	.567	.687	1.003	.419
-D10	.192	.312	.628	.231
-D08	.330	.450	.766	.300



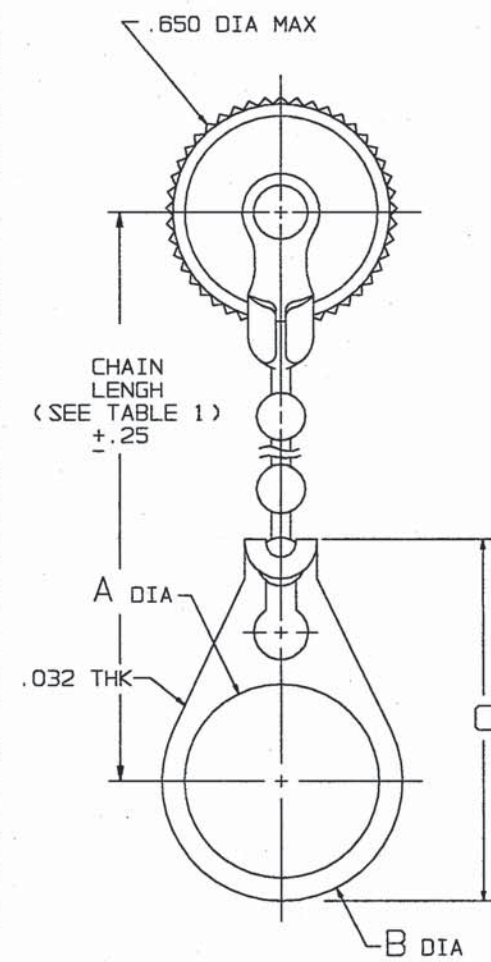
-1- \triangle SHOWN
NO CHAIN OR MOUNTING LUG



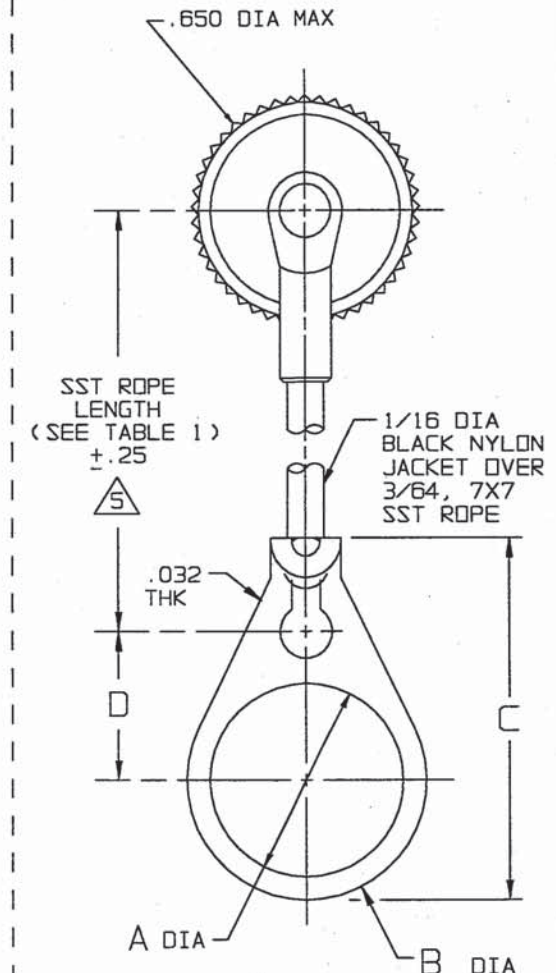
-2- \triangle THRU -11- \triangle SHOWN
STANDARD CHAIN AND MOUNTING LUG



-12- \triangle THRU
-19- \triangle SHOWN
STAINLESS STEEL ROPE AND MOUNTING LUG



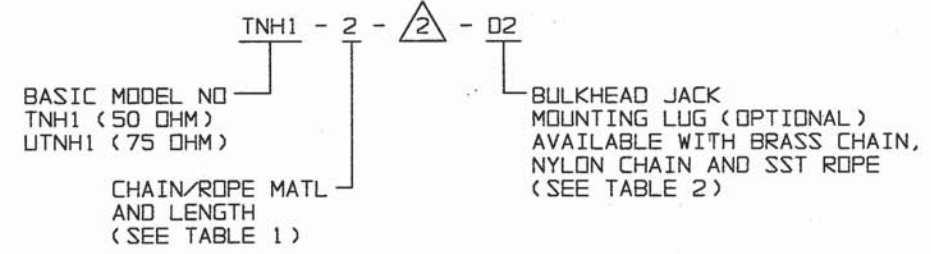
-2- \triangle -D2 THRU
-11- \triangle -D08 SHOWN
STANDARD CHAIN AND BULKHEAD JACK MOUNTING LUG



-12- \triangle -D2 THRU
-19- \triangle -D08 SHOWN
STAINLESS STEEL ROPE AND BULKHEAD JACK MOUNTING LUG

\triangle NOTE LENGTH FOR SST ROPE WITH MOUNTING LUG OPTION IS NOT MEASURED TO CENTER OF BULKHEAD MOUNTING LUG

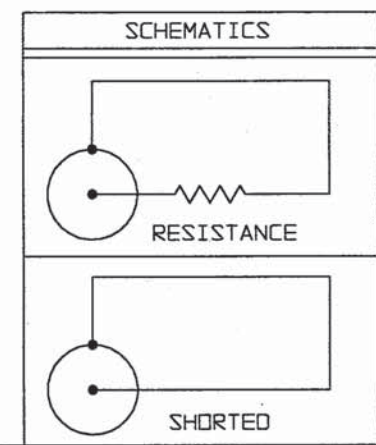
4. EXAMPLE OF COMPLETE MODEL NUMBER:



3. TERMINATED MALE COAXIAL 50 & 75 OHMS TNC TYPE PLUG WITH CHAIN AND MOUNTING LUG OPTIONS

\triangle RESISTANCE VALUE IN OHMS (1/2W, 2%)
S = PIN SHORTED TO CASE (NO RESISTOR)

1. FINISH: NICKEL



QTY	DESCRIPTION	PART NUMBER	ITEM
TOL UNLESS SPECIFIED .xx ± .02 .xxx ± .005 .xxxx ± ANGLES ±	TROMPETER ELECTRONICS, INC.	TNH1/UTNH1	
DWN L.M. 4/14/09	MATERIAL	CODE IDENT	DRAWING NO.
CHK <i>m.j 4-16-09</i>		14949	102-0008
ENGR			
APPR <i>Am4/17/09</i>	SCALE 4/1	DATE 7-12-68	SHEET 1 OF 1

X-ON Electronics

Largest Supplier of Electrical and Electronic Components

Click to view similar products for [RF Terminators](#) category:

Click to view products by [Bel Fuse](#) manufacturer:

Other Similar products are found below :

[M390303-02N](#) [R404105000](#) [M39030/3-03N](#) [TNG1-9-78-D3](#) [TNA2-50](#) [TNH1-1-50](#) [R404518000](#) [53S1RR-001N3](#) [142275](#) [65_BNC-50-0-7/133_NE](#) [R404240120](#) [R404260000](#) [HT-10-2](#) [M39030/3-04N](#) [M39030/3-11S](#) [TNA1-6-50](#) [131-3801-811](#) [TNA1-1-50](#) [R404101000](#) [1-221629-6](#) [SF8015-6007](#) [SF8016-6404](#) [6550.17.AA](#) [65_N-50-0-51/113_NE](#) [65_BNC-50-0-2/133_NE](#) [65_BNC-75-0-1/133_NE](#) [65_QMA-50-0-4/111_NE](#) [65_N-50-0-1/133_NE](#) [65_MMCX-50-0-31/111_OE](#) [65_BNC-50-0-6/113_NE](#) [18K15R-0.5E3](#) [2702702](#) [53S17R-001N3](#) [1100.19.0001](#) [6701.01.B](#) [18S24H-40ML5](#) [R404759000](#) [TRM-2080-M0-NNN-07](#) [TRM-2053-MC-NNN-02](#) [M39030/3-03S](#) [6701.01.A](#) [65_MCX-50-0-4/111_NE](#) [65_716-50-0-2/003_-E](#) [6701.17.A](#) [M39030/3-12N](#) [M39030/5-06N](#) [82-5722-RFX](#) [27-9662](#) [8018-6174](#) [SF8018-6005](#)