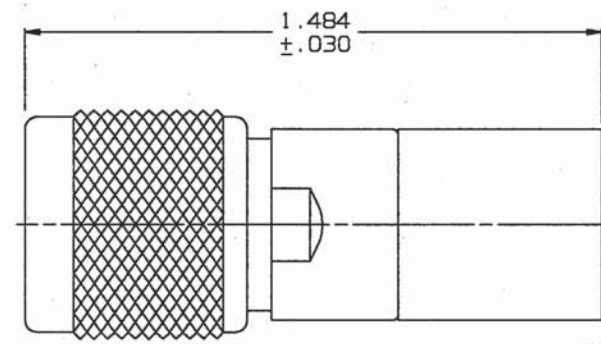


DATA CONTAINED IN THIS DOCUMENT IS PROPRIETARY TO TROMPETER ELECTRONICS INC. AND SHALL NOT BE DISCLOSED, COPIED OR USED FOR PROCUREMENT OR MANUFACTURE WITHOUT EXPRESS WRITTEN PERMISSION.

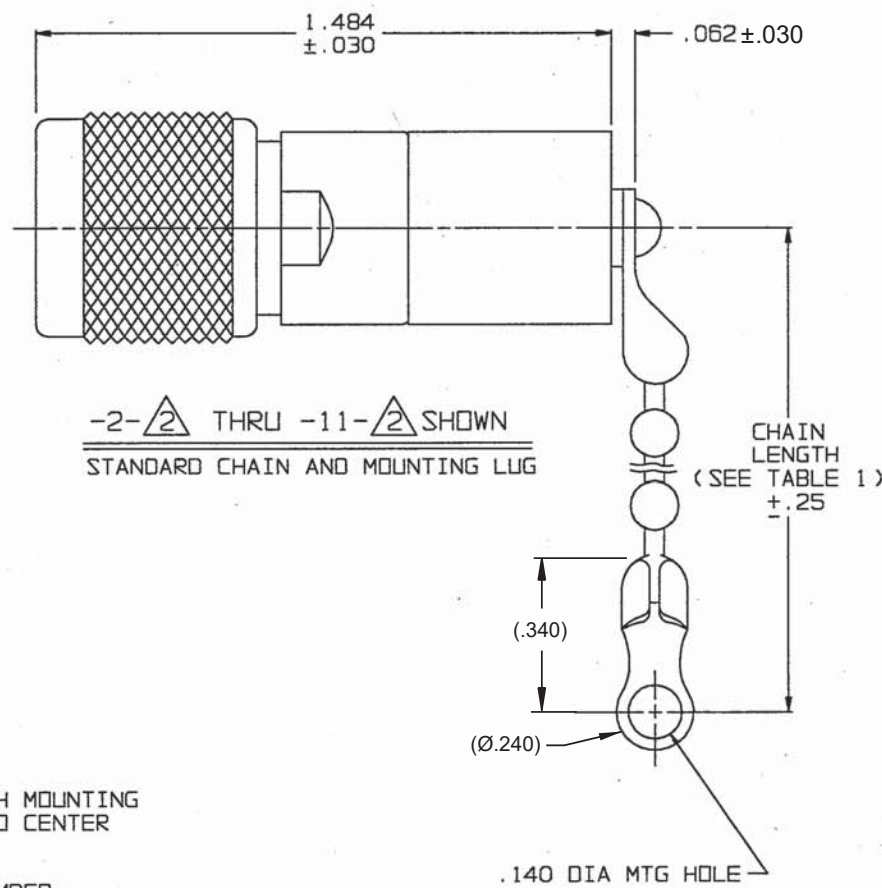
REVISIONS		102-0008	SH 1
REV	DESCRIPTION	APPROVED	DATE
P	REVISED PER ECO 16910	<i>MMK</i>	4/20/09

DASH NO	DESCRIPTION
-1	TERM (NO CHAIN)
-2	TERM WITH 2.5 BRASS CHAIN
-3	TERM WITH 2.5 NYLON CHAIN
-4	TERM WITH 3.0 BRASS CHAIN
-5	TERM WITH 3.0 NYLON CHAIN
-6	TERM WITH 6.0 BRASS CHAIN
-7	TERM WITH 6.0 NYLON CHAIN
-8	TERM WITH 4.0 BRASS CHAIN
-9	TERM WITH 4.0 NYLON CHAIN
-10	TERM WITH 10.0 BRASS CHAIN
-11	TERM WITH 10.0 NYLON CHAIN
-12	TERM WITH 2.5 SST ROPE
-13	TERM WITH 3.0 SST ROPE
-14	TERM WITH 6.0 SST ROPE
-15	TERM WITH 4.0 SST ROPE
-16	TERM WITH 7.0 SST ROPE
-17	TERM WITH 4.5 SST ROPE
-18	TERM WITH 12.0 SST ROPE
-19	TERM WITH 18.0 SST ROPE

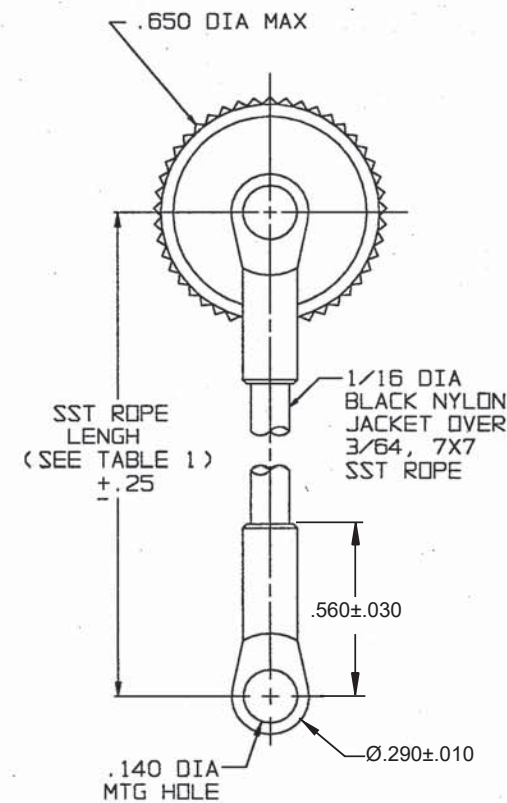
DASH NO	"A" DIA	"B" DIA	"C" DIM	"D" DIA
-D2	.630	.750	1.066	.450
-D3	.505	.625	.941	.388
-D4	.439	.562	.878	.356
-D5	.380	.500	.816	.325
-D6	.317	.437	.753	.294
-D7	.281	.406	.722	.278
-D8	.610	.750	1.066	.450
-D9	.567	.687	1.003	.419
-D10	.192	.312	.628	.231
-D08	.330	.450	.766	.300



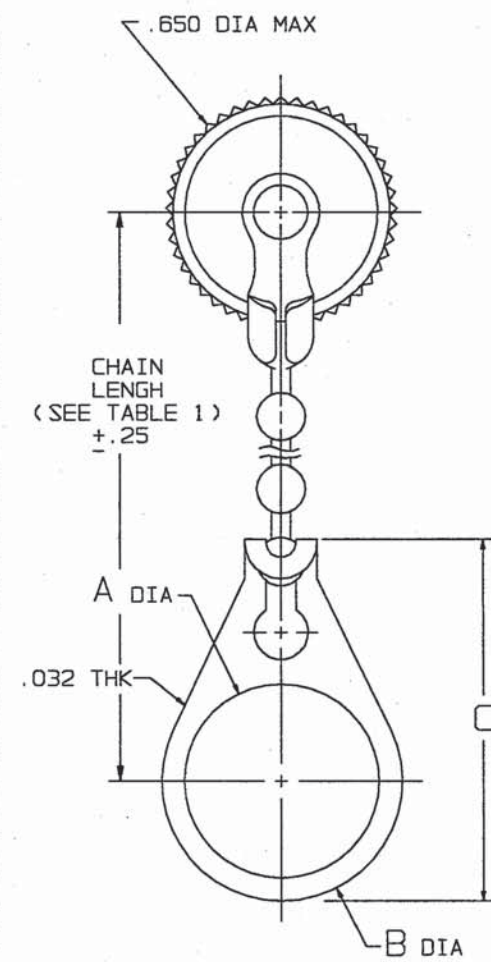
-1- $\triangle$  SHOWN  
NO CHAIN OR MOUNTING LUG



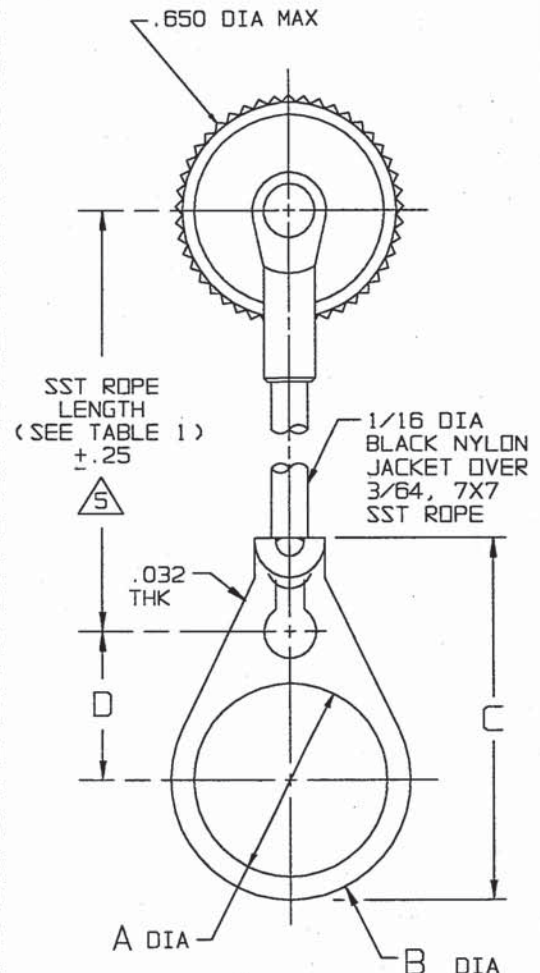
-2- $\triangle$  THRU -11- $\triangle$  SHOWN  
STANDARD CHAIN AND MOUNTING LUG



-12- $\triangle$  THRU  
-19- $\triangle$  SHOWN  
STAINLESS STEEL ROPE AND MOUNTING LUG



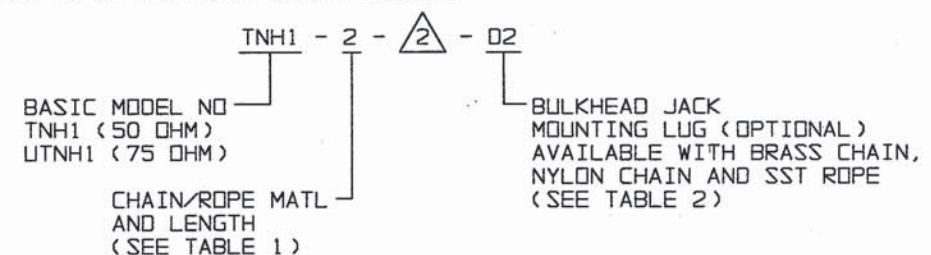
-2- $\triangle$ -D2 THRU  
-11- $\triangle$ -D08 SHOWN  
STANDARD CHAIN AND BULKHEAD JACK MOUNTING LUG



-12- $\triangle$ -D2 THRU  
-19- $\triangle$ -D08 SHOWN  
STAINLESS STEEL ROPE AND BULKHEAD JACK MOUNTING LUG

$\triangle$  NOTE LENGTH FOR SST ROPE WITH MOUNTING LUG OPTION IS NOT MEASURED TO CENTER OF BULKHEAD MOUNTING LUG

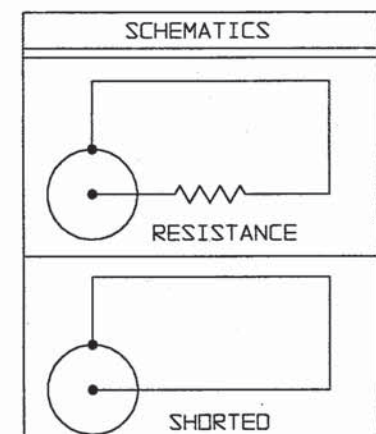
4. EXAMPLE OF COMPLETE MODEL NUMBER:



3. TERMINATED MALE COAXIAL 50 & 75 OHMS TNC TYPE PLUG WITH CHAIN AND MOUNTING LUG OPTIONS

$\triangle$  RESISTANCE VALUE IN OHMS (1/2W, 2%)  
S = PIN SHORTED TO CASE (NO RESISTOR)

1. FINISH: NICKEL



QTY	DESCRIPTION	PART NUMBER	ITEM
TOL UNLESS SPECIFIED .xx ± .02 .xxx ± .005 .xxxx ± ANGLES ±	TROMPETER ELECTRONICS, INC.	TNH1/UTNH1	
DWN L.M. 4/14/09	MATERIAL	CODE IDENT	DRAWING NO.
CHK <i>m.j 4-16-09</i>		14949	102-0008
ENGR			
APPR <i>Am4/17/09</i>	SCALE 4/1	DATE 7-12-68	SHEET 1 OF 1

## X-ON Electronics

Largest Supplier of Electrical and Electronic Components

*Click to view similar products for [RF Connectors / Coaxial Connectors](#) category:*

*Click to view products by [Bel Fuse](#) manufacturer:*

Other Similar products are found below :

[8915-1511-000](#) [89674-0827](#) [6002-7051-003](#) [6059674-1](#) [619550-1](#) [630059-000](#) [M39012/25-3026](#) [M39030/3-01N](#) [6501-1071-002](#) [6769](#)  
[7002-1541-010](#) [7002-1572-002](#) [7003-1542-011](#) [7004-1512-000](#) [7009-1511-004](#) [7029-1511-060](#) [7101-1541-010](#) [7101-1571-002](#) [7105-1521-](#)  
[002](#) [7203-1571-003](#) [7209-1511-011](#) [7210-1511-040](#) [7242-1511-000](#) [73216-2241](#) [73404-2300](#) [7405-1521-005](#) [7405-1521-802](#) [8527](#) [8547](#)  
[FS11V](#) [877931](#) [8808-1511-001](#) [9074-9513-000](#) [910A205F](#) [PL40-36](#) [PL71-9](#) [980-8666-005](#) [1200690078](#) [1-201144-1](#) [120919](#)  
[R107003010W](#) [R110A172100](#) [R112186000](#) [R113053000W](#) [R113182000W](#) [R113236000](#) [R113240000](#) [R113240097](#) [R113666000](#)  
[R114073000W](#)