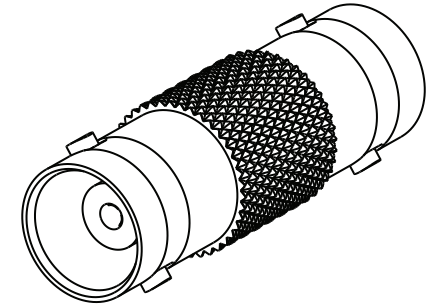


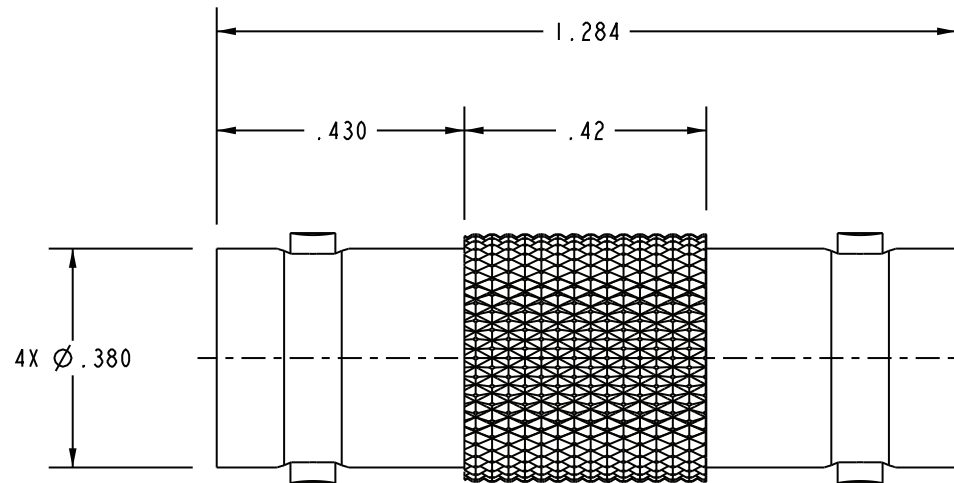
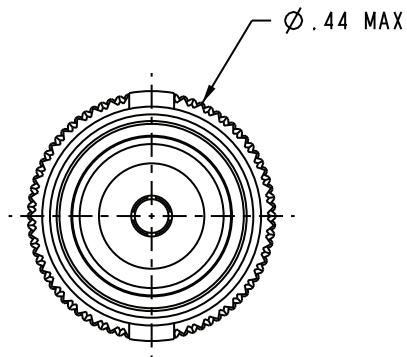
MODEL NUMBER	$\Omega$
AD228	50
UAD228	75

DATA CONTAINED IN THIS DOCUMENT IS PROPRIETARY TO EMERSON CONNECTIVITY SOLUTIONS AND SHALL NOT BE DISCLOSED, COPIED OR USED FOR PROCUREMENT OR MANUFACTURE WITHOUT EXPRESS WRITTEN PERMISSION

REVISIONS			
REV	DESCRIPTIONS	DATE	APPROVED
C	REVISED PER ECO 16820	9/16/09	LM



SCALE 2/1



2. WITHIN SERIES FEMALE BNC FEEDTHRU ADAPTER, 50 $\Omega$  AND 75 $\Omega$  VERSIONS

1. FINISH: TFS-1A (NICKEL)

NOTES: UNLESS OTHERWISE SPECIFIED.

INTERPRET DRAWING PER MIL-STD-100. DIMENSIONS ARE IN INCHES AND INCLUDE FINISH THICKNESS UNLESS OTHERWISE SPECIFIED.

TOL: UNLESS SPECIFIED.  
 .XX  $\pm$  .02  
 .XXX  $\pm$  .010  
 ANGLE  $\pm$  1°



Cinch Connectivity Solutions  
 299 Johnson Ave. Ste. 100  
 Waseca, MN 56093  
 1-800-247-8256

DRN W. JOHNSON 12/8/08

CHK LM 9/15/09

QUALITY

MANUF

APPROVED

PROJ TITLE NO. 1-0623

MATERIAL:

FINISH:

DO NOT SCALE DWG

SCALE 3/1

DATE 4/11/02

SHEET 1 OF 2

TITLE: U/AD228

SIZE CAGE CODE DRAWING NO. REV. A 14949 1-0623 C

DATE 4/11/02

SCALE 3/1

DATE 4/11/02

SHEET 1 OF 2

## X-ON Electronics

Largest Supplier of Electrical and Electronic Components

*Click to view similar products for [RF Adapters - In Series category:](#)*

*Click to view products by [Bel Fuse manufacturer:](#)*

Other Similar products are found below :

[5916-1103-603](#) [5919-1503-000](#) [651A505](#) [82-5552](#) [9030-9523-502](#) [PN2C](#) [A0407000](#) [R114703000W](#) [R125771001](#) [R141710000W](#)  
[R141723161](#) [R141730000](#) [R143730700](#) [R143770000](#) [R161703000W](#) [R161753000W](#) [R161791530W](#) [R201705000](#) [R222705200](#)  
[R222M40010W](#) [R223703180](#) [R316754000](#) [R405006000](#) [R443162000](#) [AD78TL](#) [HRM-513S](#) [1996352-2](#) [2157155-1](#) [252169-75](#) [AD158](#)  
[2101130-1](#) [252186](#) [R114704000W](#) [R114720000W](#) [R125705001](#) [R125705701](#) [R125771000](#) [R125771001W](#) [R127704001](#) [R127.870.001](#)  
[R127872001](#) [R141717000](#) [R142710000](#) [R142723000](#) [R143703000](#) [R143704000](#) [R143705700](#) [R161715000W](#) [R161771000W](#) [R176754000](#)