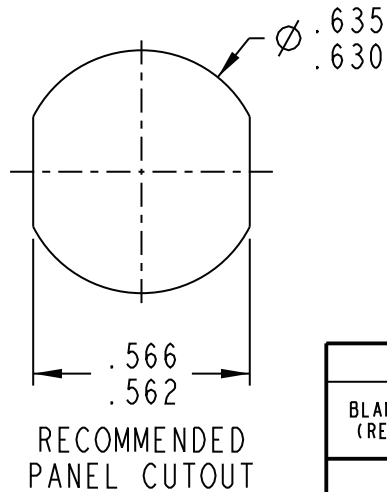
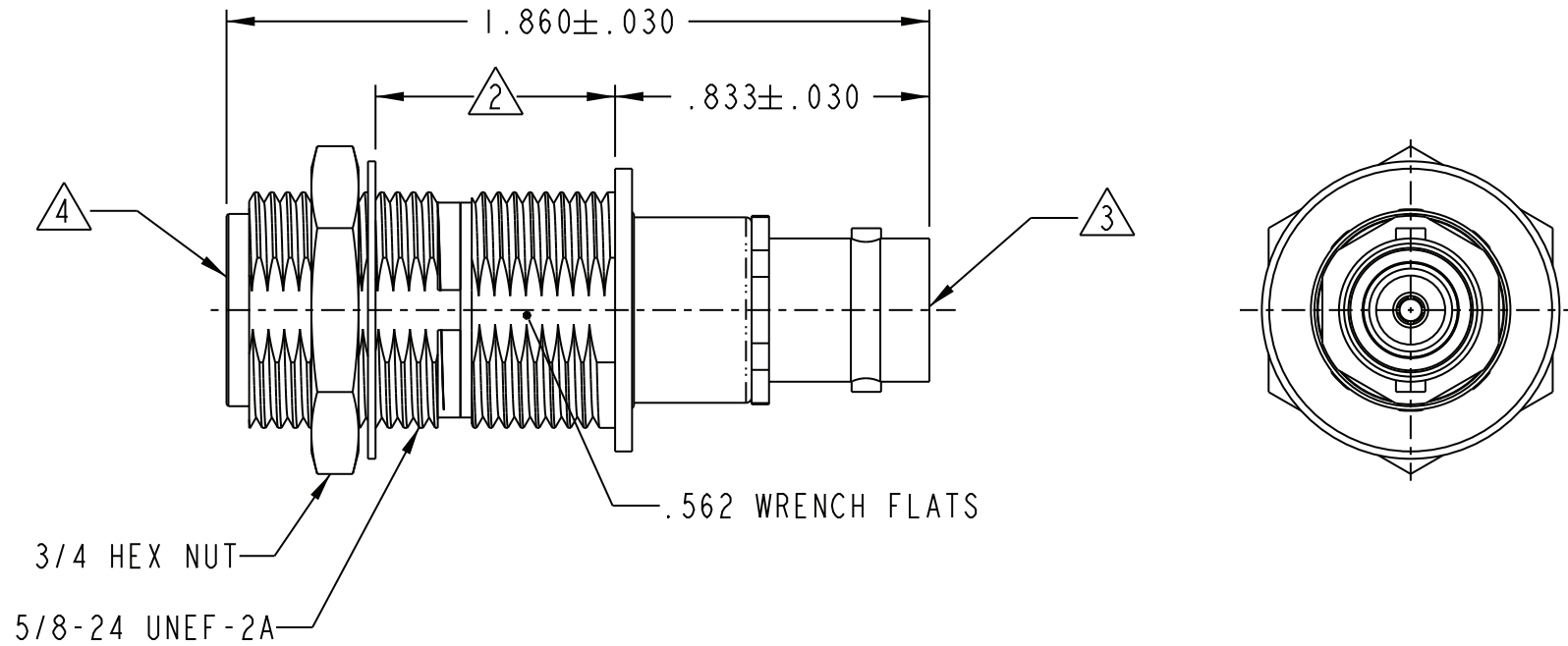


DASH NO	MODEL NO	IMPD OHMS
-1	AD195	50
-2	UAD195	75

DATA CONTAINED IN THIS DOCUMENT IS PROPRIETARY TO EMERSON CONNECTIVITY SOLUTIONS AND SHALL NOT BE DISCLOSED, COPIED OR USED FOR PROCUREMENT OR MANUFACTURE WITHOUT EXPRESS WRITTEN PERMISSION

REVISIONS			
REV	DESCRIPTIONS	DATE	APPROVED
H	ECO 52570	8/27/10	T. KOHLER



- ④ FEMALE TYPE N 50 AND 75 OHM INSULATED BULKHEAD JACK.
- ③ FEMALE 50 AND 75 OHM TYPE BNC JACK.
- ② MAXIMUM PANEL THICKNESS .203
- ① FINISH: TFS-1A (NICKEL).

NOTES: UNLESS OTHERWISE SPECIFIED.

INTERPRET DRAWING PER MIL-STD-100. DIMENSIONS ARE IN INCHES AND INCLUDE FINISH THICKNESS UNLESS OTHERWISE SPECIFIED.

TOL: UNLESS SPECIFIED.  
 .XX ± .01  
 .XXX ± .003  
 .XXXX ± .0010  
 ANGLE ± 1° 00'  
 CRITICAL



Cinch Connectivity Solutions  
 299 Johnson Ave. Ste. 100  
 Waseca, MN 56093  
 1-800-247-8256

DRN B. RYAN 7-15-11	CHK T. KOHLER 7-16-11	MATERIAL:	TITLE:  AD195/UAD195
N/A	QUALITY	FINISH: ①	SIZE A
BLANK LENGTH (REF. ONLY)	MANUF	CAGE CODE 14949	DRAWING NO. 105-0186
N/A	APPROVED	SCALE 2/1	REV. H
SURFACE AREA	PROJ TITLE NO. 105-0186	DO NOT SCALE DWG	DATE 5/25/11
			SHEET 1 OF 2

## X-ON Electronics

Largest Supplier of Electrical and Electronic Components

*Click to view similar products for [RF Connectors / Coaxial Connectors](#) category:*

*Click to view products by [Bel Fuse](#) manufacturer:*

Other Similar products are found below :

[89674-0827](#) [6059674-1](#) [630059-000](#) [6501-1071-002](#) [6769](#) [7002-1541-010](#) [7002-1572-002](#) [7004-1512-000](#) [7009-1511-004](#) [7101-1541-010](#)  
[7101-1571-002](#) [7105-1521-002](#) [7203-1571-003](#) [7209-1511-011](#) [7210-1511-040](#) [7242-1511-000](#) [7405-1521-005](#) [7405-1521-802](#)  
[804S01D04M040](#) [8527](#) [8547](#) [FS11V](#) [877931](#) [8808-1511-001](#) [9049-9513-000](#) [9074-9513-000](#) [PL11C-026](#) [PL40-36](#) [9408-1113-000](#) [980-](#)  
[8666-005](#) [11 SMA-50-2-6 / 111 NE](#) [11 SMA-50-3-6 / 111 NE](#) [1-201144-1](#) [120919](#) [R107003010W](#) [R112186000](#) [R113053000W](#) [R113082097](#)  
[R113236000](#) [R114083000](#) [R114670000W](#) [R123415000W](#) [R124076320](#) [R124076450](#) [R124175123](#) [R125075000W](#) [R125075001](#)  
[R125172000W](#) [R125415030](#) [R141007161](#)