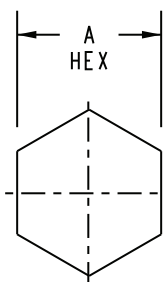


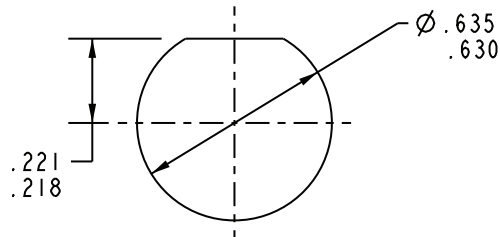
DASH NUMBER	CABLES ACCOMMODATED	A HEX	ASSEMBLE PER
-001	RG-178, -196	.178	TAI-A118
-002	HEWLETT PACKARD 8120-1107	.197	
-003	RG-174, 316	.178	
-004	RG-179, 187		
-005	NORTHERN ELECTRIC DBL-SHLD RG-187	.197	
-006	GC875GPI, GRUMMAN DBL-SHLD RG-188		
-007	275-3991, MICRODOT	.178	
-008	RG-195, -180 421-111, ESSEX		
-009	8218, BELDEN YR23023 BELDEN 21-597, ESSEX		
-011	RG-58; RG-141; RG-303	.213	TAI-A118
-013	RG-59	.255	
-013A	TCC-75-2		
-013B	RG-62		
-014	8212, BELDEN	TAI-A118	
-015	730A, AT&T	.290	
-015A	RG-71	TAI-C118	
-016	724, AT&T 8281, BELDEN	.324	
-017	RG-6	.344	
-018	9268, BELDEN	.255	
-019	8279, BELDEN		
-020	9248, BELDEN	.290	
-021	88240, BELDEN	.213	
-022	88241, 88269, BELDEN	.255	TAI-C118
-023	89108, BELDEN	.290	
-024	89120, BELDEN		
-025	734A, AT&T		
-026	735A, AT&T		
-027	HS19224L2, AT&T		.178

DATA CONTAINED IN THIS DOCUMENT IS PROPRIETARY TO TROMPETER ELECTRONICS INC. AND SHALL NOT BE DISCLOSED, COPIED OR USED FOR PROCUREMENT OR MANUFACTURE WITHOUT EXPRESS WRITTEN PERMISSION.

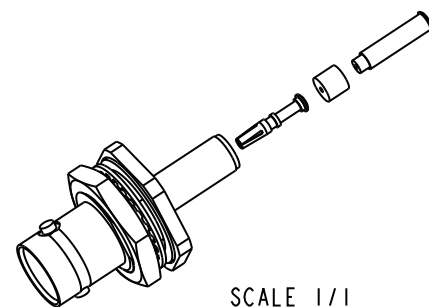
REVISIONS			
REV	DESCRIPTIONS	DATE	APPROVED
C	REVISED PER ECO 16784		



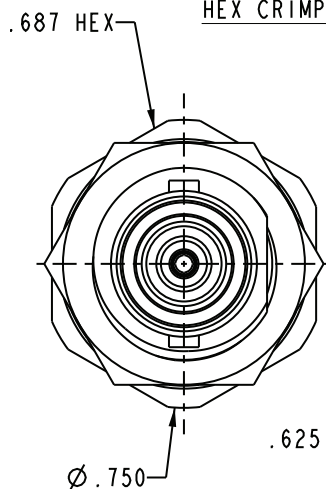
RECOMMENDED HEX CRIMP



RECOMMENDED PANEL CUTOUT

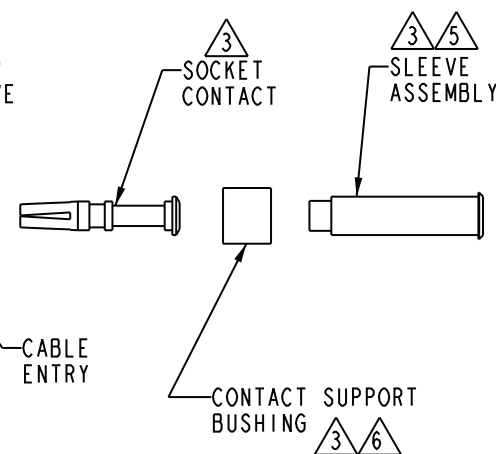
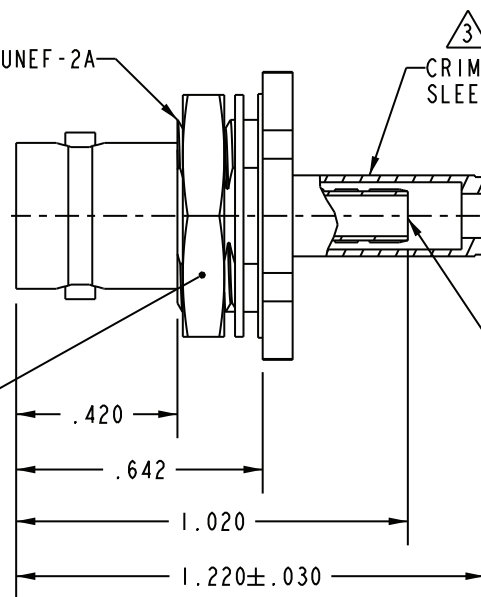


SCALE 1/1



.500-28UNEF-2A

.625 HEX NUT



△6 CONTACT SUPPORT BUSHING REQUIRED ON -013B, -015A & -22 ONLY

△5 SLEEVE REQUIRED ON -001 THRU -007 & -027 ONLY

4. MAXIMUM PANEL THICKNESS: .100

△3 CRIMP SLEEVE, SOCKET CONTACT, SLEEVE ASSEMBLY AND CONTACT SUPPORT BUSHING ARE SUPPLIED LOOSE

2. RF COAXIAL 75 Ω BNC FULL CRIMP BULKHEAD MOUNT RECEPTACLE

1. FINISH: TFS-1A (NICKEL)

NOTES: UNLESS OTHERWISE SPECIFIED.

INTERPRET DRAWING PER MIL-STD-100. DIMENSIONS ARE IN INCHES AND INCLUDE FINISH THICKNESS UNLESS OTHERWISE SPECIFIED.

TOL: UNLESS SPECIFIED.  
 .XX ± .02  
 .XXX ± .010  
 ANGLE ± 1°

**TROMPETER**  
 RF connectivity  
 a cinch connectivity solutions brand

DWN R JOHNSON 10-24-08

CHK

QUALITY

MANUF

APPROVED

MATERIAL:

FINISH:

TITLE:

UBJ220

SIZE	CAGE CODE	DRAWING NO.	REV.
△	14949	1-0515	C

NEXT ASSY	PROJ TITLE NO.	DO NOT SCALE DWG	SCALE	DATE	SHEET
	1-0515		2/1	4-11-94	1C

## X-ON Electronics

Largest Supplier of Electrical and Electronic Components

*Click to view similar products for [RF Connectors / Coaxial Connectors](#) category:*

*Click to view products by [Bel Fuse](#) manufacturer:*

Other Similar products are found below :

[8915-1511-000](#) [89674-0827](#) [6001-7071-019](#) [6002-7051-003](#) [6002-7551-202](#) [6059674-1](#) [619550-1](#) [630059-000](#) [M39030/3-01N](#) [6500-7071-046](#) [6769](#) [CX050L2AQ](#) [7002-1541-010](#) [7002-1542-011](#) [7004-1512-000](#) [7009-1511-004](#) [7010-1511-000](#) [7029-1511-060](#) [7101-1541-010](#) [7101-1571-002](#) [7145-1521-002](#) [7203-1571-003](#) [7209-1511-011](#) [7210-1511-015](#) [7210-1511-019](#) [73137-5015](#) [73216-2241](#) [73404-2300](#) [7405-1521-005](#) [7405-1521-802](#) [8527](#) [8547](#) [FS11V](#) [877931](#) [8808-1511-001](#) [9049-9513-000](#) [9074-9513-000](#) [9101-9573-002](#) [910A205F](#) [9130-9573-002](#) [PL11SC-026](#) [PL375-33](#) [PL40-5](#) [PL74C-221](#) [PL75MC-217](#) [PL803-7](#) [1200690078](#) [1-201144-1](#) [R107003010W](#) [R110A172100](#)