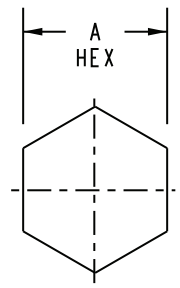
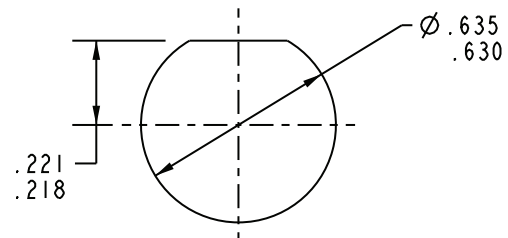


DASH NUMBER	CABLES ACCOMMODATED	A HEX	ASSEMBLE PER	
-001	RG-178, -196	.178	TAI-A118	
-002	HEWLETT PACKARD 8120-1107	.197		
-003	RG-174, 316	.178		
-004	RG-179, 187			
-005	NORTHERN ELECTRIC DBL-SHLD RG-187	.197		
-006	GC875GPI, GRUMMAN DBL-SHLD RG-188			
-007	275-3991, MICRODOT	.178		
-008	RG-195, -180 421-111, ESSEX			
-009	8218, BELDEN YR23023 BELDEN 21-597, ESSEX			
-011	RG-58; RG-141; RG-303	.213	TAI-A118	
-013	RG-59	.255		
-013A	TCC-75-2			
-013B	RG-62			
-014	8212, BELDEN	TAI-A118		
-015	730A, AT&T	.290		
-015A	RG-71	TAI-C118		
-016	724, AT&T 8281, BELDEN	.324		TAI-A118
-017	RG-6	.344		
-018	9268, BELDEN	.255		
-019	8279, BELDEN	.290		
-020	9248, BELDEN			
-021	88240, BELDEN	.213	TAI-C118	
-022	88241, 88269, BELDEN	.255		
-023	89108, BELDEN	.290	TAI-A118	
-024	89120, BELDEN			
-025	734A, AT&T			
-026	735A, AT&T			
-027	HS19224L2, AT&T	.178		

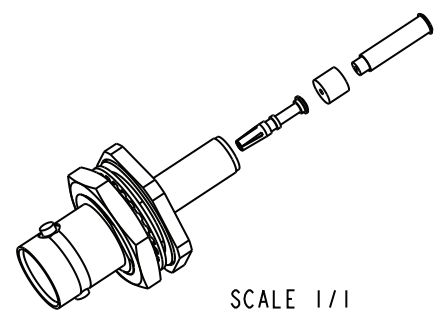
REVISIONS			
REV	DESCRIPTIONS	DATE	APPROVED
C	REVISED PER ECO 16784		



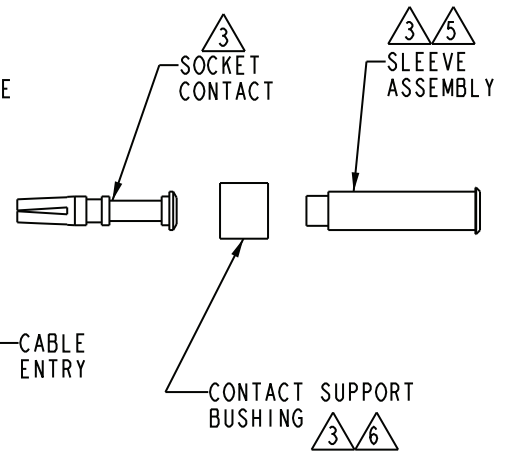
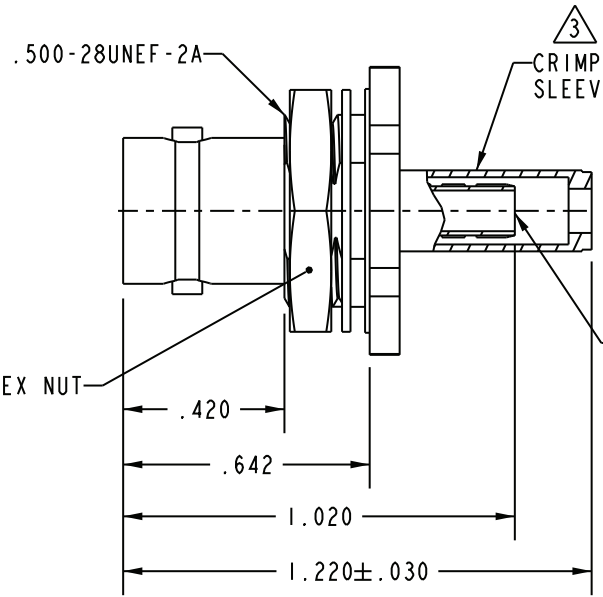
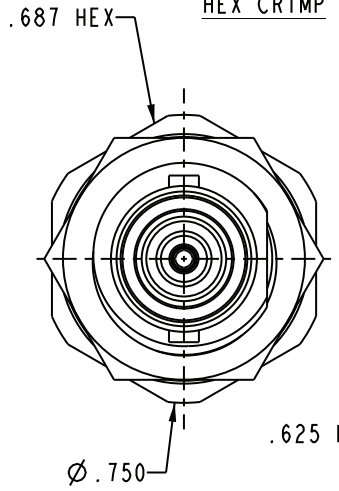
RECOMMENDED HEX CRIMP



RECOMMENDED PANEL CUTOUT



SCALE 1/1



- △6 CONTACT SUPPORT BUSHING REQUIRED ON -013B, -015A & -22 ONLY
- △5 SLEEVE REQUIRED ON -001 THRU -007 & -027 ONLY
- 4. MAXIMUM PANEL THICKNESS: .100
- △3 CRIMP SLEEVE, SOCKET CONTACT, SLEEVE ASSEMBLY AND CONTACT SUPPORT BUSHING ARE SUPPLIED LOOSE
- 2. RF COAXIAL 75 Ω BNC FULL CRIMP BULKHEAD MOUNT RECEPTACLE
- 1. FINISH: TFS-1A (NICKEL)

NOTES: UNLESS OTHERWISE SPECIFIED.

INTERPRET DRAWING PER MIL-STD-100. DIMENSIONS ARE IN INCHES AND INCLUDE FINISH THICKNESS UNLESS OTHERWISE SPECIFIED.		TOL: UNLESS SPECIFIED. .XX ± .02 .XXX ± .010 ANGLE ± 1°				
DWN R JOHNSON	10-24-08	MATERIAL:	TITLE:  UBJ220			
CHK		FINISH:	SIZE △ 14949	CAGE CODE 17949	DRAWING NO. 1-0515	REV. C
QUALITY			SCALE 2/1	DATE 4-11-94	SHEET 1C	
MANUF						
APPROVED						
NEXT ASSY	PROJ TITLE NO. 1-0515	DO NOT SCALE DWG				

## X-ON Electronics

Largest Supplier of Electrical and Electronic Components

*Click to view similar products for [RF Connectors / Coaxial Connectors](#) category:*

*Click to view products by [Bel Fuse](#) manufacturer:*

Other Similar products are found below :

[8915-1511-000](#) [89674-0827](#) [6001-7071-019](#) [6002-7051-003](#) [6002-7551-202](#) [6059674-1](#) [619550-1](#) [630059-000](#) [M39030/3-01N](#) [6500-7071-046](#) [6769](#) [CX050L2AQ](#) [7002-1541-010](#) [7002-1542-011](#) [7004-1512-000](#) [7009-1511-004](#) [7010-1511-000](#) [7029-1511-060](#) [7101-1541-010](#) [7101-1571-002](#) [7145-1521-002](#) [7203-1571-003](#) [7209-1511-011](#) [7210-1511-015](#) [7210-1511-019](#) [73137-5015](#) [73216-2241](#) [73404-2300](#) [7405-1521-005](#) [7405-1521-802](#) [8527](#) [8547](#) [FS11V](#) [877931](#) [9049-9513-000](#) [9074-9513-000](#) [9101-9573-002](#) [910A205F](#) [9130-9573-002](#) [PL11SC-026](#) [PL375-33](#) [PL40-5](#) [PL74C-221](#) [PL75MC-217](#) [PL803-7](#) [980-8666-005](#) [1200690078](#) [1-201144-1](#) [R107003010W](#) [R110A172100](#)