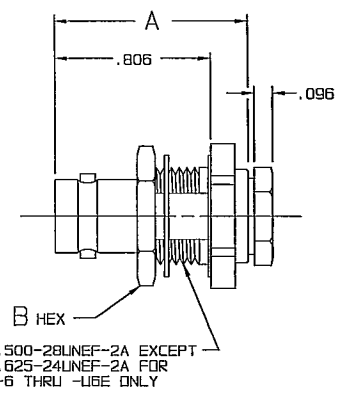


DATA CONTAINED IN THIS DOCUMENT IS PROPRIETARY TO TROMPETER ELECTRONICS INC. AND SHALL NOT BE DISCLOSED, COPIED OR USED FOR PROCUREMENT OR MANUFACTURE WITHOUT EXPRESS WRITTEN PERMISSION.

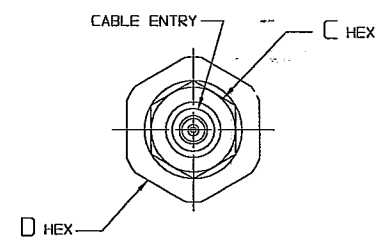
REVISIONS			1-0126		SH 1
REV	ECD	DESCRIPTION	DWN	APPROVED	DATE
U	16244	REVISED PER ECD 16244	L.M.	<i>M.M.C.</i>	10/20/68

DASH NO	FIG	CABLES ACCOMMODATED	A DIM	B HEX	C HEX	D HEX	E DIM	F DIA	ASSEMBLE PER
-1		RG-58, 142, 400							
-U1		ESSEX 621-715							
-2		RG-59							
-U2									
-2A		BELODEN 8279							
-U2A									
-2B		W.E.CO. 730A							
-U2B									
-3	1,3	RG-223	1.000	.625	.437	.687	.221	.510	
-U3							.218	.505	
-3A		RG-55							
-U3A									
-4		RG-122							
-U4		BELODEN 8218							
-5		RG-174							
-U5		RG-187							
-5A		RG-196							
-U5A									
-5B		HEWLETT-PACKARD 8120-1107							
-U5B									
-6	1	BELODEN 9231	1.030	.750	.500	.750	.284	.635	TAI-101
-U6							.281	.630	
-6E		RG-5							
-U6E		RG-6							
-21		RG-303, RG-141							
-U21									
-22		RG-180							
-U22									
-31		GRILMAN GC875GP1							
-U31		RG-187 DBL SHLD							
-34	1,3	BELODEN 8228	1.000	.625	.437	.687	.221	.510	
-U34							.218	.505	
-36		275-3991 MICRODOT							
-U36		616-569 AMPEX							
-37		810 RAYCHEM							
-U37									
-41		RG-304							
-U41		9248 BELODEN							
-44		BRAND-REX B749							
-U44		GORE C06C032							
-51	1	88281 BELODEN	1.030	.750	.500	.750	.284	.635	
-U51							.281	.630	
-52		89120 BELODEN							
-U52									
-53	1,3	89555 BELODEN							
-U53									
-63		734A, AT&T							
-U63			1.000	.625	.437	.687	.221	.510	
-086		RG-405							
-U086									
-141	2	RG-402							TAI-130
-U141									

FIG 1
-1 SHOWN

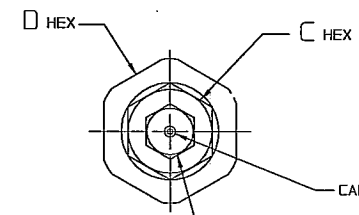
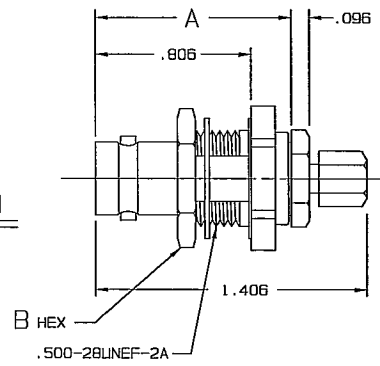


RED INDICATES ORIGINAL



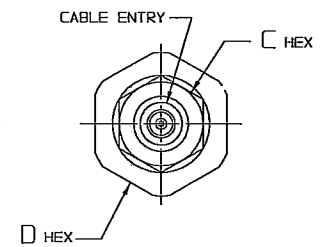
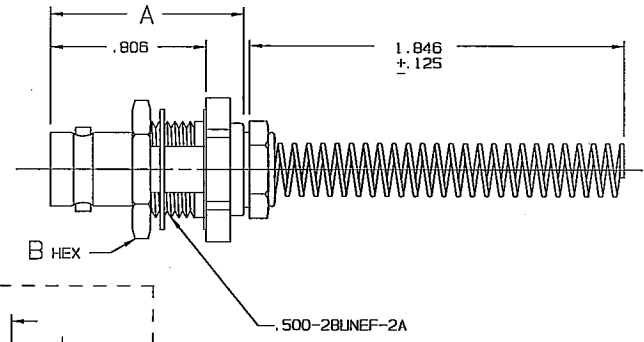
INCH	MM
.005	0.13
.096	2.44
.125	3.18
.218	5.54
.221	5.61
.250	6.35
.281	7.14
.284	7.21
.312	7.92
.437	11.10
.500	12.70
.505	12.83
.510	12.95
.625	15.88
.630	16.00
.635	16.13
.687	17.45
.750	19.05
.806	20.47
1.000	25.40
1.030	26.16
1.406	35.71
1.846	46.89

FIG 2
-086 SHOWN



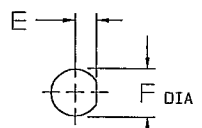
.250 HEX (-086, -U086)
.312 HEX (-141, -U141)

FIG 3
-1 SHOWN



IF BEND RELIEF SPRING REQUIRED (FIG 3) ADD SUFFIX "BR" TO MODEL NO (NOT AVAILABLE WITH CABLE GROUPS -6, -U6, -6E, -U6E, -51, -U51, -52, -U52, -63, -U63, -086, -U086, -141 & -U141)

5. FEMALE TYPE BNC COAXIAL BULKHEAD JACKS, BOTH 50 & 75 OHM VERSIONS
4. MAX PANEL THK .218
3. DASH NO DENOTES CABLE GROUP EXCEPT "U" PREFIX DENOTES 75 OHM VERSION
2. FINISH: TFS-1A (NICKEL)
1. ALL DIM ARE IN INCHES



RECOMMENDED
PANEL CUTOUT
SCALE: NONE

QTY	DESCRIPTION	PART NUMBER	ITEM
155-0347	TOL UNLESS SPECIFIED		
155-0338	.xx ±		
155-0297	.xxx ± .005		
155-0280	.xxx ±		
	ANGLE ±		
105-1016	DWN L.M. 10-5-06	MATERIAL	CODE IDENT
105-1004	CHK <i>gl 10-6-68</i>	14949	14949
105-0158	ENGR		
110-0003	ENGR		
105-0717	NEXT ASSY		

TROMPETER ELECTRONICS, INC.		PART NUMBER		ITEM	
		BJ29/UBJ29			
		BJ29BR/UBJ29BR			
DRAWING NO.	REV	DRAWING NO.	REV	DRAWING NO.	REV
1-0126	U	1-0126	U	1-0126	U
SCALE 2/1	DATE 12/31/68	SHEET 1 OF 2			

X-ON Electronics

Largest Supplier of Electrical and Electronic Components

Click to view similar products for [RF Connectors / Coaxial Connectors](#) category:

Click to view products by [Bel Fuse](#) manufacturer:

Other Similar products are found below :

[8915-1511-000](#) [89674-0827](#) [6001-7071-019](#) [6002-7051-003](#) [6002-7551-202](#) [6059674-1](#) [619550-1](#) [630059-000](#) [M39030/3-01N](#) [6500-7071-046](#) [6769](#) [CX050L2AQ](#) [7002-1541-010](#) [7002-1542-011](#) [7004-1512-000](#) [7009-1511-004](#) [7010-1511-000](#) [7029-1511-060](#) [7101-1541-010](#) [7101-1571-002](#) [7145-1521-002](#) [7203-1571-003](#) [7209-1511-011](#) [7210-1511-015](#) [7210-1511-019](#) [73137-5015](#) [73216-2241](#) [73404-2300](#) [7405-1521-005](#) [7405-1521-802](#) [8527](#) [8547](#) [FS11V](#) [877931](#) [8808-1511-001](#) [9049-9513-000](#) [9074-9513-000](#) [9101-9573-002](#) [910A205F](#) [9130-9573-002](#) [PL11SC-026](#) [PL375-33](#) [PL40-5](#) [PL74C-221](#) [PL75MC-217](#) [PL803-7](#) [1200690078](#) [1-201144-1](#) [R107003010W](#) [R110A172100](#)