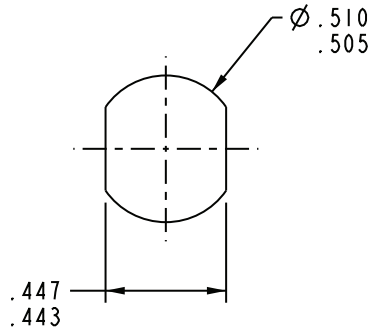
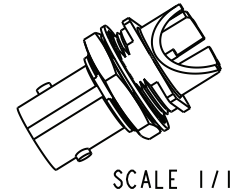
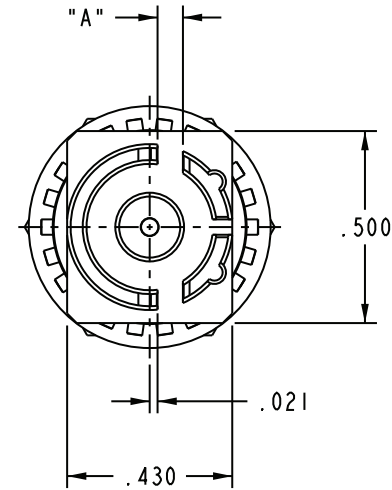
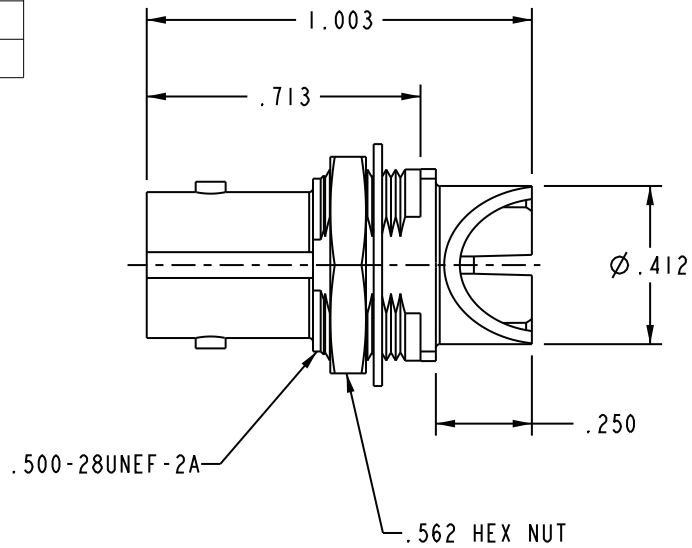


PART NUMBER	"A" BOARD THICKNESS
UCBBJE20-1	.060-.064
UCBBJE20-2	.028-.033
UCBBJE20-3	.084
UCBBJE20-4	.120

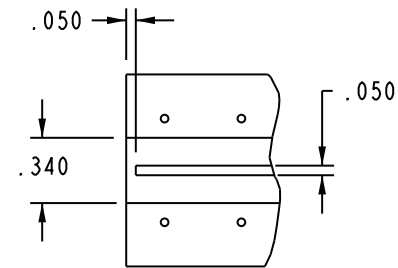
REV	ECO	DATE
G	ECO #56746	01JUN2017

- 1 SHOWN



RECOMMENDED
PANEL CUT-OUT

SCALE 2/1



RECOMMENDED
PCB LAYOUT

SCALE 1/1

3. MAXIMUM PANEL THICKNESS .179
2. FINISH: BODY: TFS-1B (GOLD, 2G)
CONTACT: TFS-1B (GOLD, 5G)
HARDWARE: TFS-1A (NICKEL)
1. 75Ω CIRCUIT BOARD BULKHEAD EDGE MOUNT "BNC" STYLE RECEPTACLE

NOTES: UNLESS OTHERWISE SPECIFIED.

<p>This PROPRIETARY Document is property of Cinch Connectivity Solutions. It is confidential in nature, non-transferable, and issued with the clear understanding that it is not traced or copied without permission and is returnable upon demand.</p> <p>INTERPRET DRAWING IN ACCORDANCE WITH ASME Y14.5-2009.</p>	Model No:	1-0583	TROMPETER		
	RoHS (EU)/2015/863 COMPLIANT	Cage Code	UCBBJE20		
	UNLESS OTHERWISE SPECIFIED UNITS: INCH	3RD ANGLE PROJECTION	Drawing No.	1-0583	REV. G
	.X ± .02 .XX ± .010 .XXX ± .010 ANGLE ± 1°	Drawn by: C. MONAHAN Date: 06/01/2017	Size A	DO NOT SCALE DRAWING	Workmanship Std: NONE

X-ON Electronics

Largest Supplier of Electrical and Electronic Components

Click to view similar products for [RF Connectors / Coaxial Connectors](#) category:

Click to view products by [Bel Fuse](#) manufacturer:

Other Similar products are found below :

[8915-1511-000](#) [89674-0827](#) [6001-7071-019](#) [6002-7051-003](#) [6002-7551-202](#) [6059674-1](#) [619550-1](#) [630059-000](#) [M39030/3-01N](#) [6500-7071-046](#) [6769](#) [CX050L2AQ](#) [7002-1541-010](#) [7002-1542-011](#) [7004-1512-000](#) [7009-1511-004](#) [7010-1511-000](#) [7029-1511-060](#) [7101-1541-010](#) [7101-1571-002](#) [7145-1521-002](#) [7203-1571-003](#) [7209-1511-011](#) [7210-1511-015](#) [7210-1511-019](#) [73137-5015](#) [73216-2241](#) [73404-2300](#) [7405-1521-005](#) [7405-1521-802](#) [8527](#) [8547](#) [FS11V](#) [877931](#) [8808-1511-001](#) [9049-9513-000](#) [9074-9513-000](#) [9101-9573-002](#) [910A205F](#) [9130-9573-002](#) [PL11SC-026](#) [PL375-33](#) [PL40-5](#) [PL74C-221](#) [PL75MC-217](#) [PL803-7](#) [1200690078](#) [1-201144-1](#) [R107003010W](#) [R110A172100](#)