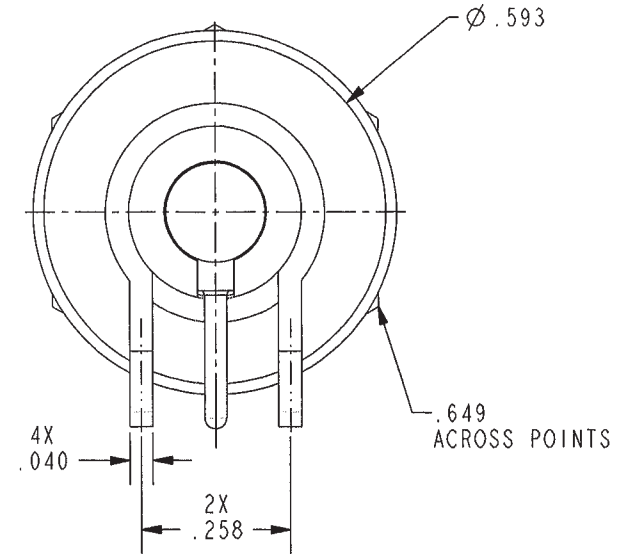
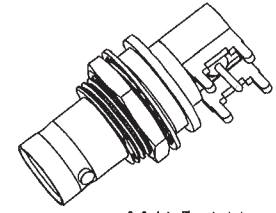
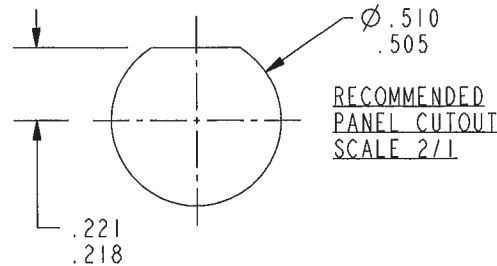
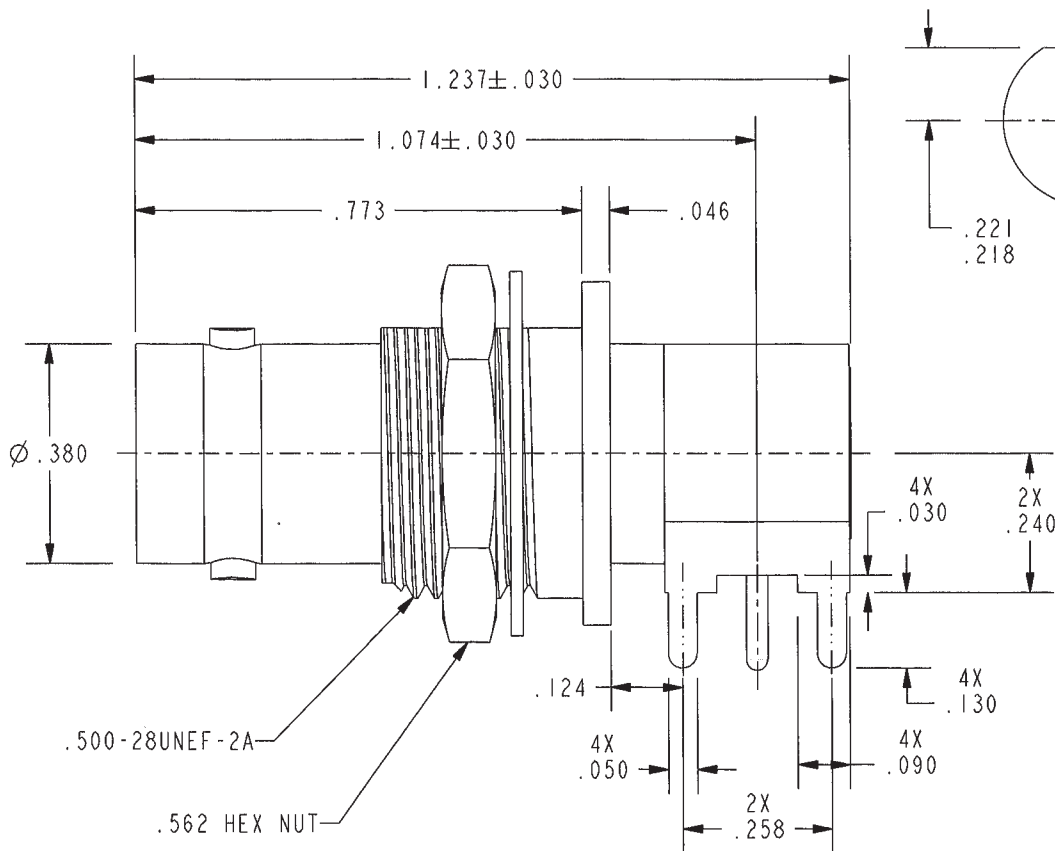


DASH NUMBER	MODEL NUMBER	LETTER CODE	IMPD Ω	A DIA
-1	CBBJR229		50	.046
-2	UCBBJR229		75	.029

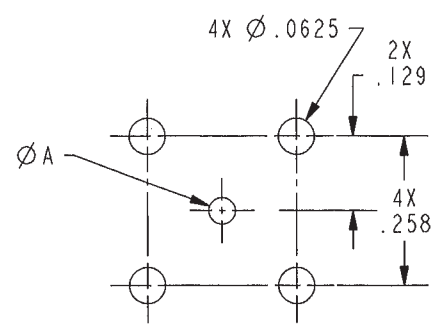
DATA CONTAINED IN THIS DOCUMENT IS PROPRIETARY TO TROMPETER ELECTRONICS INC. AND SHALL NOT BE DISCLOSED, COPIED OR USED FOR PROCUREMENT OR MANUFACTURE WITHOUT EXPRESS WRITTEN PERMISSION.

REVISIONS			
REV	DESCRIPTIONS	DATE	APPROVED
D	REVISED PER ECO 16628	7-18-08	ORama



- 1 SHOWN


RED INDICATES ORIGINAL



RECOMMENDED
MTG HOLE PATTERN
SCALE 3/1

- MAXIMUM PANEL THICKNESS .179
- FINISH: TFS-1A (NICKEL)
- 50 & 75 Ω RIGHT ANGLE CIRCUIT BOARD AND BULKHEAD MOUNTING BNC RECEPTACLE

NOTES: UNLESS OTHERWISE SPECIFIED.

INTERPRET DRAWING PER MIL-STD-100. DIMENSIONS ARE IN INCHES AND INCLUDE FINISH THICKNESS UNLESS OTHERWISE SPECIFIED.		TOL: UNLESS SPECIFIED. .XX ± .02 .XXX ± .010 ANGLE ± 1°		 a cinch connectivity solutions brand	
DRN W JOHNSON CH Jm QUANTITY MANUF APPROVED Jm DATE 7/17/08	5-19-08 6-23-06	MATERIAL:	TITLE: U/CBBJR229	SIZE A 14949	CAGE CODE 1-0580
NEXT ASSY	PROTE FILE NO. 1-0580	DO NOT SCALE DWG	SCALE 3/1	DRAWING NO. 1-0580	REV. D
			DATE 8-10-99	SHEET 1C	

X-ON Electronics

Largest Supplier of Electrical and Electronic Components

Click to view similar products for [RF Connectors / Coaxial Connectors](#) category:

Click to view products by [Bel Fuse](#) manufacturer:

Other Similar products are found below :

[R125315120](#) [8915-1511-000](#) [89674-0827](#) [5916-1103-603](#) [0106-001-000](#) [6-0001-3](#) [6001-7071-019](#) [6002-7051-003](#) [6002-7551-202](#) [6059674-1](#) [619550-1](#) [630059-000](#) [M39012/25-0021](#) [M39012/79-3008](#) [M39030/3-01N](#) [M39030/3-03N](#) [M3933/25-29N](#) [M3933/25-36N](#) [6500-7071-046](#) [6501-1071-002](#) [M83723/72W24576](#) [M83723/72W2457N](#) [6769](#) [CX050L2AQ](#) [7002-1541-010](#) [7002-1572-002](#) [7003-1572-002](#) [7004-1512-000](#) [7009-1511-004](#) [7010-1511-000](#) [7029-1511-060](#) [7101-1541-010](#) [7101-1571-002](#) [7105-1521-002](#) [7145-1521-002](#) [7209-1511-011](#) [7210-1511-012](#) [7210-1511-015](#) [7210-1511-019](#) [7210-1511-040](#) [7225-1512-050](#) [7242-1511-000](#) [73137-5015](#) [73251-0111](#) [73251-0672](#) [73276-1501](#) [73366-0013](#) [73404-2300](#) [73413-6080](#) [734151610](#)