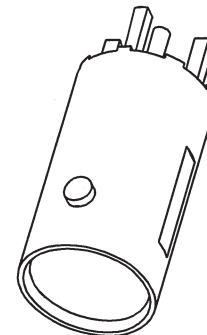
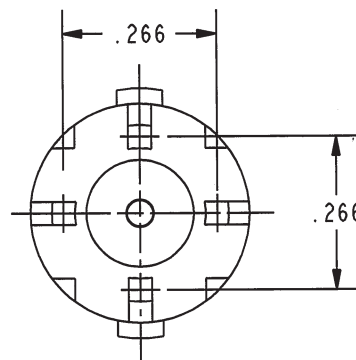
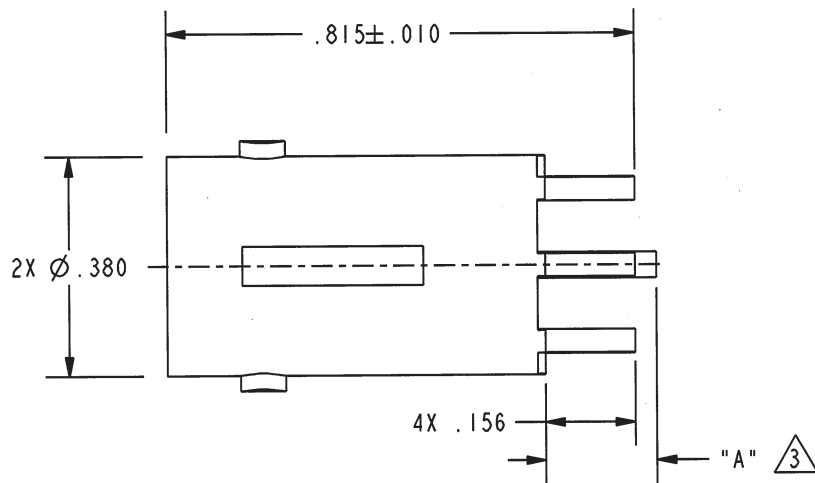


PART NO	"A" DIMENSION	CENTER CONTACT PLATING: TFS-1B
UCBJ224	.193±.015	5G; .000050 GOLD
UCBJ224-1	.156±.015	3G; .000030 GOLD

DATA CONTAINED IN THIS DOCUMENT IS PROPRIETARY TO TROMPETER ELECTRONICS INC. AND SHALL NOT BE DISCLOSED, COPIED OR USED FOR PROCUREMENT OR MANUFACTURE WITHOUT EXPRESS WRITTEN PERMISSION.

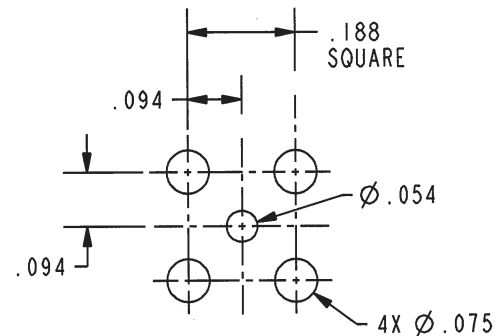
REVISIONS

REV	DESCRIPTIONS	DATE	APPROVED
L	REVISED PER ECO # 16861	4/16/09	<i>[Signature]</i>



SCALE 2/1

SCALE 3/1



RECOMMENDED MTG HOLE PATTERN SCALE 3/1

RED INDICATES ORIGINAL

4. PRE-TIN LEGS .0015 MAXIMUM THICK WITH SN63 OR EQUIVALENT SOLDER PER QQ-S-571 TO WITHIN .060 MAXIMUM OF SHOULDER

△ CENTER CONTACT ONLY

2. FINISH: TFS-1Y (NICKEL)

1. 75 Ω CIRCUIT BOARD MOUNT, ZINC DIECAST, BNC RECEPTACLE

NOTES: UNLESS OTHERWISE SPECIFIED.

INTERPRET DRAWING PER MIL-STD-100. DIMENSIONS ARE IN INCHES AND INCLUDE FINISH THICKNESS UNLESS OTHERWISE SPECIFIED.		TOL: UNLESS SPECIFIED. .XX ± .02 .XXX ± .010 ANGLE ± 1°			
DRN J. CARPENTER	2-26-09	MATERIAL:		TITLE: UCBJ224	
CHK M.J.	4-1-09	FINISH:		SIZE A 14949	
MANUF	APPROVED <i>[Signature]</i>	DO NOT SCALE DWG		DRAWING NO. 1-0532	REV. L
NEXT ASSY	PROJE FILE NO. 1-0532	SCALE 3/1	DATE 3-21-95	SHEET IC	

X-ON Electronics

Largest Supplier of Electrical and Electronic Components

Click to view similar products for [RF Connectors / Coaxial Connectors](#) category:

Click to view products by [Bel Fuse](#) manufacturer:

Other Similar products are found below :

[8915-1511-000](#) [89674-0827](#) [6001-7071-019](#) [6002-7051-003](#) [6002-7551-202](#) [6059674-1](#) [619550-1](#) [630059-000](#) [M39030/3-01N](#) [6500-7071-046](#) [6769](#) [CX050L2AQ](#) [7002-1541-010](#) [7002-1542-011](#) [7004-1512-000](#) [7009-1511-004](#) [7010-1511-000](#) [7029-1511-060](#) [7101-1541-010](#) [7101-1571-002](#) [7145-1521-002](#) [7203-1571-003](#) [7209-1511-011](#) [7210-1511-015](#) [7210-1511-019](#) [73137-5015](#) [73216-2241](#) [73404-2300](#) [7405-1521-005](#) [7405-1521-802](#) [8527](#) [8547](#) [FS11V](#) [877931](#) [8808-1511-001](#) [9049-9513-000](#) [9074-9513-000](#) [9101-9573-002](#) [910A205F](#) [9130-9573-002](#) [PL11SC-026](#) [PL375-33](#) [PL40-5](#) [PL74C-221](#) [PL75MC-217](#) [PL803-7](#) [1200690078](#) [1-201144-1](#) [R107003010W](#) [R110A172100](#)