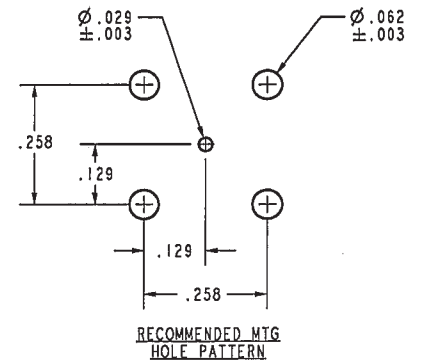
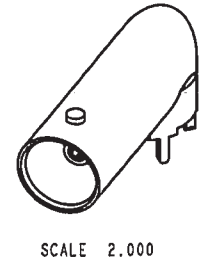
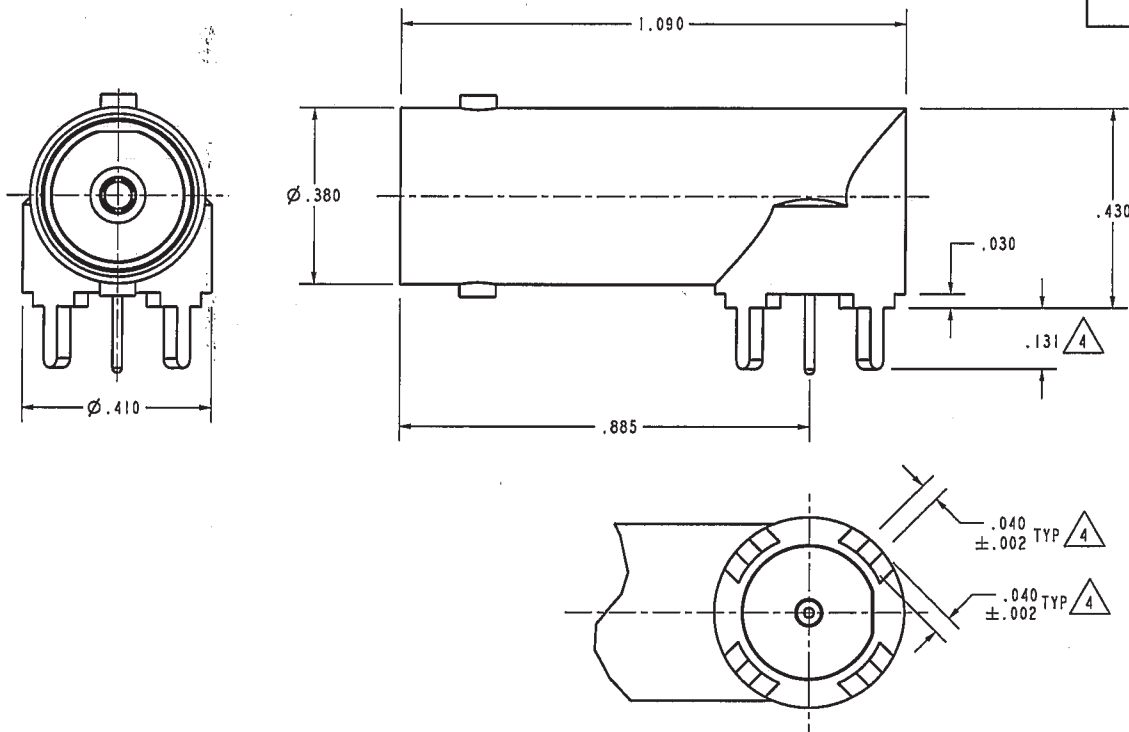


RED INDICATES ORIGINAL

DATA CONTAINED IN THIS DOCUMENT IS PROPRIETARY TO TROMPETER ELECTRONICS, INC. AND SHALL NOT BE DISCLOSED, COPIED OR USED FOR PROCUREMENT OR MANUFACTURE WITHOUT EXPRESS WRITTEN PERMISSION

REVISIONS				1-0518	SH 1
REV	ECO NO.	DESCRIPTION	DWN	APPROVED	DATE
A	10700	Ø .410 WAS Ø .414; .040 WAS .050 & .047; .258 WAS .260; Ø .129 WAS Ø .130; Ø .029 WAS Ø .046; Ø .062 WAS Ø .083	AAH	Bm; <i>(Signature)</i>	4/22/94



- 4 DIMENSIONS INDICATED ARE BEFORE TINNING OF BODY LEGS WITH .0015 MAX THK, SN63 PER QQ-S-571 OR EQUIV TO WITHIN .060 OF SHOULDER
- FINISH: TFS-1A (NICKEL)
 - 75 Ω CIRCUIT BOARD MOUNTED RIGHT ANGLE BNC RECEPTACLE
 - ALL DIM ARE IN INCHES

QTY	DESCRIPTION		PART NUMBER		ITEM
TOL UNLESS SPECIFIED				UCBJR220	
.XX	± .005				
.XXX	± .005				
ANGLE	±				
DWN	AAH	4-20-94	MATERIAL	CODE IDENT	DRAWING NO.
CHK	<i>Bm</i>	<i>4-22-94</i>	-----	14949	1-0518
ENGR	<i>RJ</i>	<i>4-22-94</i>			
NEXT ASSY	APPR	<i>(Signature)</i>	SCALE 4/1	DATE 4-15-94	SHEET 1 OF 2

X-ON Electronics

Largest Supplier of Electrical and Electronic Components

Click to view similar products for [RF Connectors / Coaxial Connectors](#) category:

Click to view products by [Bel Fuse](#) manufacturer:

Other Similar products are found below :

[8915-1511-000](#) [89674-0827](#) [6001-7071-019](#) [6002-7051-003](#) [6002-7551-202](#) [6059674-1](#) [619550-1](#) [630059-000](#) [M39030/3-01N](#) [6500-7071-046](#) [6769](#) [CX050L2AQ](#) [7002-1541-010](#) [7002-1542-011](#) [7004-1512-000](#) [7009-1511-004](#) [7010-1511-000](#) [7029-1511-060](#) [7101-1541-010](#) [7101-1571-002](#) [7145-1521-002](#) [7203-1571-003](#) [7209-1511-011](#) [7210-1511-015](#) [7210-1511-019](#) [73137-5015](#) [73216-2241](#) [73404-2300](#) [7405-1521-005](#) [7405-1521-802](#) [8527](#) [8547](#) [FS11V](#) [877931](#) [9049-9513-000](#) [9074-9513-000](#) [9101-9573-002](#) [910A205F](#) [9130-9573-002](#) [PL11SC-026](#) [PL375-33](#) [PL40-5](#) [PL74C-221](#) [PL75MC-217](#) [PL803-7](#) [980-8666-005](#) [1200690078](#) [1-201144-1](#) [R107003010W](#) [R110A172100](#)