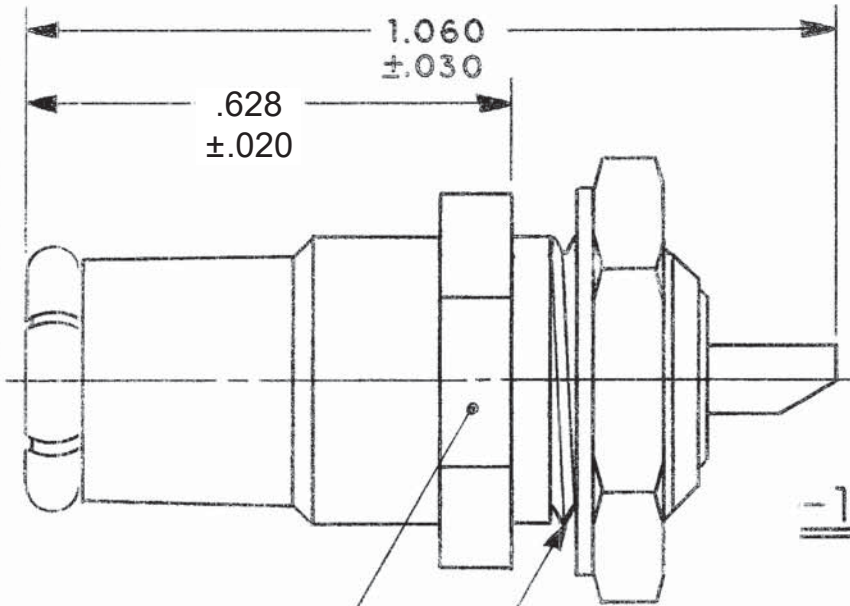


DATA CONTAINED IN THIS DOCUMENT IS PROPRIETARY TO TROMPETER ELECTRONICS INC. AND SHALL NOT BE DISCLOSED, COPIED OR USED FOR PROCUREMENT OR MANUFACTURE WITHOUT EXPRESS WRITTEN PERMISSION.

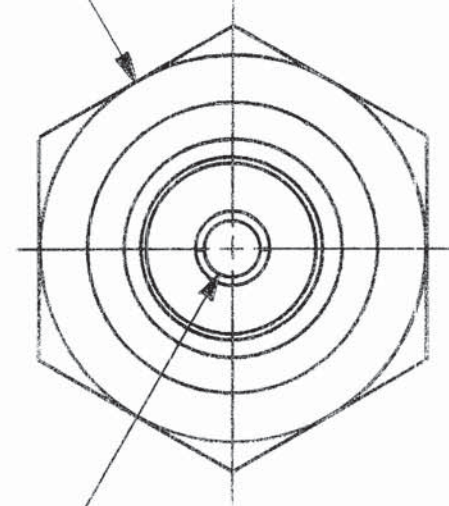
DASH NO	MODEL NO	IMPED OHMS
-1	PL121	50
-2	UPL121	75

INCH	MM
.005	0.13
.030	0.76
.068	1.73
.093	2.36
.380	9.65
.437	11.10
.500	12.70
.628	15.95
1.060	26.92

REVISIONS			105-0414		SH 1
REV	EO	DESCRIPTION	DWN	APPROVED	DATE
C	6533	REV & REDWN	RJS	<i>DC</i>	9-11-84
D	6747	'D' FLAT DELETED	MRH	<i>DC</i>	4-25-85
E	7899	ITEM 2 P/N WAS 8000-1295 ①, DWG NO WAS 1005-0414	DKC	<i>ES/PM</i>	1-20-85



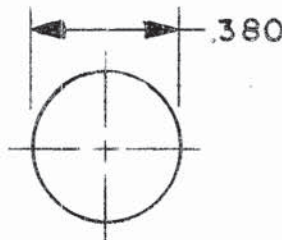
.500 HEX NUT



-1 SHOWN

.437 WRENCH FLATS

.375-32UNEF-2A



RECOMMENDED  
PANEL CUTOUT  
SCALE: 2/1

SOLDER POT ACCEPTS  
.068 DIA CONDUCTOR

4. MAX PNL THK .093
3. 50 & 75 OHM COAXIAL BULKHEAD MOUNT PUSH-ON SOLDER POT PLUG, BNC INTERFACE
2. FINISH: NICKEL
1. ALL DIM ARE IN INCHES

QTY	DESCRIPTION		PART NUMBER		ITEM	
TOL UNLESS SPECIFIED .XX ± .XXX ± .005 .XXX ± ANGLES ±			<b>TROMPETER</b> <b>ELECTRONICS, INC.</b>		PL121/UPL121	
DWN	RJS	9-3-84				MATERIAL
CHK	<i>DC</i>	9-10-84	—	<b>14949</b>	105-0414	E
ENGR	<i>PM</i>	9-14-84	SCALE 4/1		DATE 1-15-74	SHEET 1 OF 2
APPR	<i>ES</i>	9-14-84	NEXT ASSY			

## X-ON Electronics

Largest Supplier of Electrical and Electronic Components

*Click to view similar products for [RF Connectors / Coaxial Connectors](#) category:*

*Click to view products by [Bel Fuse](#) manufacturer:*

Other Similar products are found below :

[8915-1511-000](#) [89674-0827](#) [6001-7071-019](#) [6002-7051-003](#) [6002-7551-202](#) [6059674-1](#) [619550-1](#) [630059-000](#) [M39030/3-01N](#) [6500-7071-046](#) [6769](#) [CX050L2AQ](#) [7002-1541-010](#) [7002-1542-011](#) [7004-1512-000](#) [7009-1511-004](#) [7010-1511-000](#) [7029-1511-060](#) [7101-1541-010](#) [7101-1571-002](#) [7145-1521-002](#) [7203-1571-003](#) [7209-1511-011](#) [7210-1511-015](#) [7210-1511-019](#) [73137-5015](#) [73216-2241](#) [73404-2300](#) [7405-1521-005](#) [7405-1521-802](#) [8527](#) [8547](#) [FS11V](#) [877931](#) [9049-9513-000](#) [9074-9513-000](#) [9101-9573-002](#) [910A205F](#) [9130-9573-002](#) [PL11SC-026](#) [PL375-33](#) [PL40-5](#) [PL74C-221](#) [PL75MC-217](#) [PL803-7](#) [980-8666-005](#) [1200690078](#) [1-201144-1](#) [R107003010W](#) [R110A172100](#)