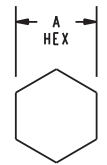
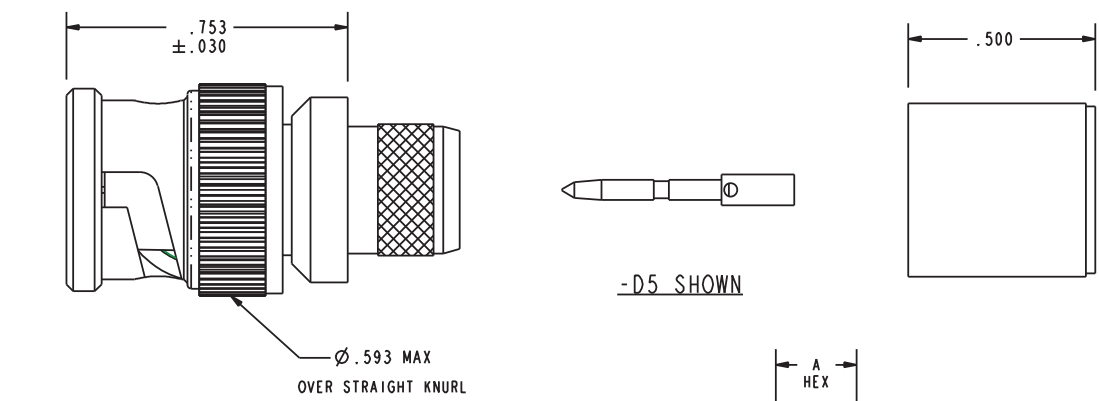
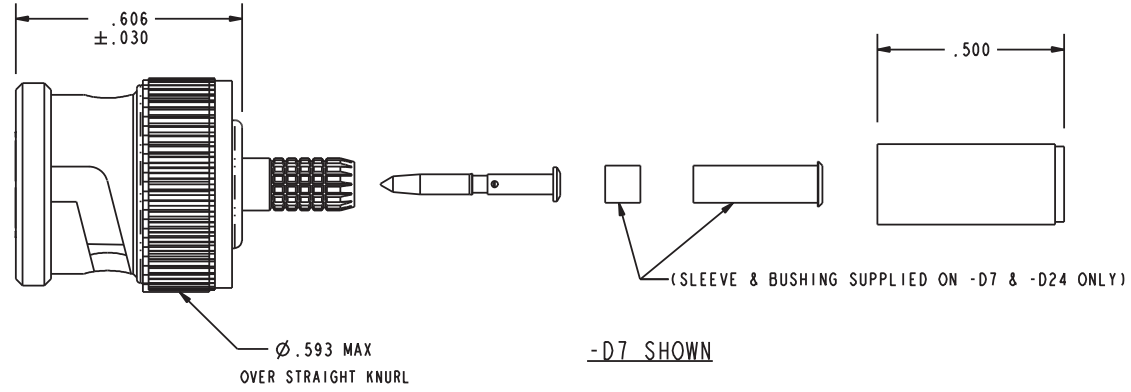


DASH NO	CABLE ACCOMMODATED	A HEX	ASSEMBLE PER
-D1	COMM/SCOPE 7538	.178	TAI-247
-D2	BELDEN 1505A GEPKO VPM2000	.255	
-D3	RG-59		
-D4	BELDEN 1694A GEPKO VSD2001	.290	
-D5	BELDEN 7731A COMM/SCOPE 5906	.403	
-D6	BELDEN 1695A	.290	
-D7	BELDEN 9221 RG-179	.178	
-D8	BELDEN 1506A GEPKO VPM2000TK	.255	
-D9	BELDEN 9209		
-D10	BELDEN 8281	.324	
-D11	WESTPENN 25815	.255	
-D12	NOKIA 0.6/2.8	.213	
-D13	COMM/SCOPE 7530	.344	
-D14	BELDEN 8279 GEPKO VPM618 CANARE L-3CFB	.255	
-D15	COMM/SCOPE F59	.290	
-D16	BELDEN 7732A COMM/SCOPE 2285	.403	
-D17	NK NETWORKS 0.6/3.7	.290	
-D18	COMM/SCOPE S59 HEC		
-D19	BELDEN 1855A	.213	
-D20	BELDEN 1505F	.255	
-D21	VDM230	.213	
-D23	M17/2 (RG 6)	.344	
-D24	BELDEN 179DT	.178	
-D25	BELDEN 1694F	.324	

REVISIONS			
REV	DESCRIPTIONS	DATE	APPROVED
S	ECO 53205	5/17/11	Tko



RECOMMENDED HEX CRIMP

3. EXAMPLE OF A COMPLETE MODEL NO:

UPL2000 - D1
 BASIC P/N DASH NO.
 PER TABLE

2. RF COAXIAL 75Ω BNC FULL CRIMP CABLE PLUG FOR DIGITAL APPLICATION

1. FINISH: BODY: TFS-1A (NICKEL)
 OUTER CONTACT: TFS-1Z (GOLD FLASH Pd Ni)
 PIN: TFS-1B (GOLD)
 BAYONET SLEEVE: BLACK ELECTROLESS NICKEL

NOTES: UNLESS OTHERWISE SPECIFIED.

INTERPRET DRAWING PER MIL-STD-100. DIMENSIONS ARE IN INCHES AND INCLUDE FINISH THICKNESS UNLESS OTHERWISE SPECIFIED.		TO: UNLESS SPECIFIED: .XX ± .02 .XXX ± .010 .XXXX ± .005 ANGLE ± 1° 00' CRITICAL		cinch CONNECTIVITY SOLUTIONS 299 Johnson Ave. Ste. 100 Waseca, MN 56093 1-800-247-8256	
DRN	BPK	5/17/11	TITLE: UPL2000		
CHK	Tko	5/19/11	SIZE: B		
QUALITY			CAGE CODE	DRAWING NO.	REV.
MANUF			14949	1-0569	S
APPROVED			SCALE	DATE	SHEET
N/A			2/1	4/23/01	1 OF 2
SURFACE AREA	PROVE FILE NO.	1-0569	DO NOT SCALE DWG		

X-ON Electronics

Largest Supplier of Electrical and Electronic Components

Click to view similar products for [RF Connectors / Coaxial Connectors](#) category:

Click to view products by [Bel Fuse](#) manufacturer:

Other Similar products are found below :

[8915-1511-000](#) [89674-0827](#) [6001-7071-019](#) [6002-7051-003](#) [6002-7551-202](#) [6059674-1](#) [619550-1](#) [630059-000](#) [M39030/3-01N](#) [6500-7071-046](#) [6769](#) [CX050L2AQ](#) [7002-1541-010](#) [7002-1542-011](#) [7004-1512-000](#) [7009-1511-004](#) [7010-1511-000](#) [7029-1511-060](#) [7101-1541-010](#) [7101-1571-002](#) [7145-1521-002](#) [7203-1571-003](#) [7209-1511-011](#) [7210-1511-015](#) [7210-1511-019](#) [73137-5015](#) [73216-2241](#) [73404-2300](#) [7405-1521-005](#) [7405-1521-802](#) [8527](#) [8547](#) [FS11V](#) [877931](#) [8808-1511-001](#) [9049-9513-000](#) [9074-9513-000](#) [9101-9573-002](#) [910A205F](#) [9130-9573-002](#) [PL11SC-026](#) [PL375-33](#) [PL40-5](#) [PL74C-221](#) [PL75MC-217](#) [PL803-7](#) [1200690078](#) [1-201144-1](#) [R107003010W](#) [R110A172100](#)