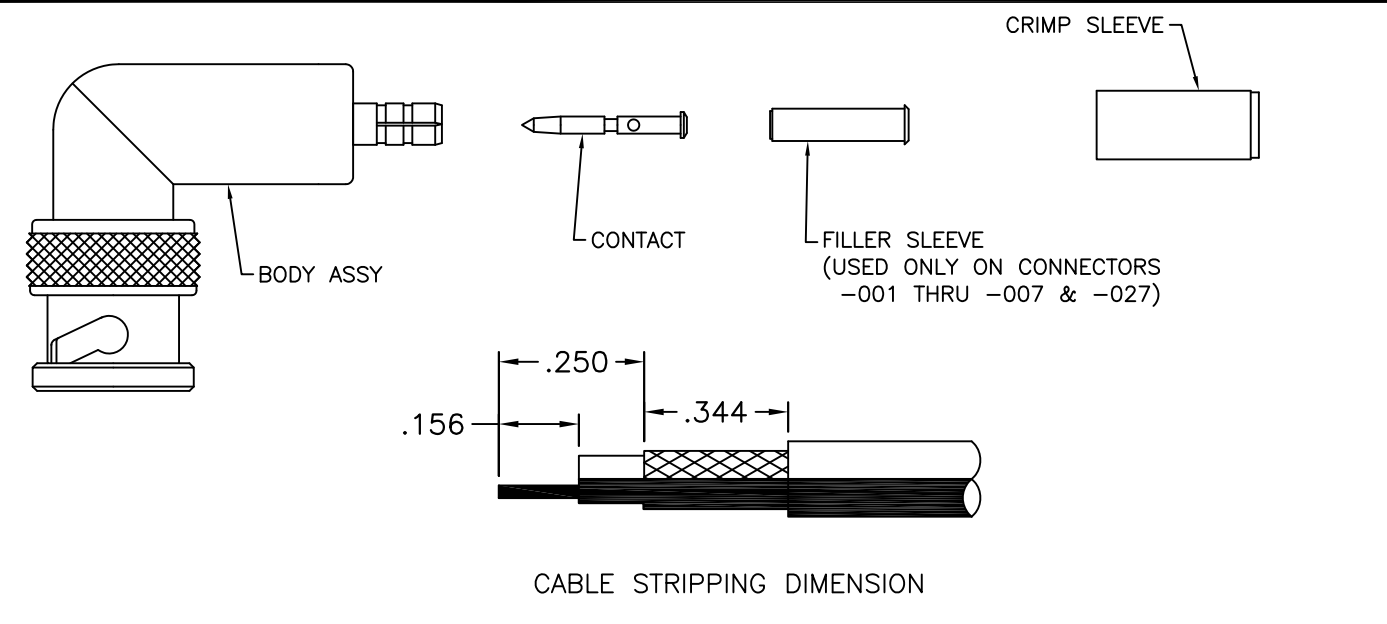


THE INFORMATION CONTAINED HEREON IS THE PROPERTY OF CINCH CONNECTIVITY SOLUTIONS, RECEIPT, POSSESSION OR TRANSMITTAL OF THIS DRAWING DOES NOT LICENSE OR IMPLY ANY RIGHT TO USE, SELL, PROTOTYPE OR MANUFACTURE FROM THIS INFORMATION. NO REPRODUCTIONS OR PUBLICATION OF THIS INFORMATION, IN WHOLE OR IN PART, SHALL BE MADE WITHOUT WRITTEN AUTHORIZATION FROM EMERSON NETWORK POWER.

DWG NO. TAI-221 SH 1

REVISIONS			
REV	DESCRIPTION	DATE	APPROVED
D	ECO 54015	3/22/12	T.KOHLER



CABLE GROUP DASH NO	CRIMP SLEEVE		CENTER CONTACT
	HEX SIZE	DIE NO/ CLOSURE	
-001	.178	-19/A	USE TROMPETER PIN CONTACT CRIMP TOOL NO. 010-0055
-002	.197	-5/8	
-003	.178	-1/B	
-004	.178	-19/A	
-005	.197	-5/B	
-006	.197	-5/B	
-007	.178	-19/A	
-008	.178	-19/A	
-009	.178	-19/A	
-010	.178	-19/A	
-011	.213	-1/A	
-012	.213	-1/A	
-013	.255	-19/B	
-013A	.255	-19/B	
-014	.255	-19/B	
-015	.290	-3/B	
-016	.324	-2/A	
-017	.344	-3/A	
-018	.255	-19/B	
-019	.255	-19/B	
-020	.290	-3/B	
-021	.213	-1/A	
-023	.255	-2/B	
-024	.290	-3/B	
-025	.255	-19/B	
-026	.178	-19/A	
-027	.178	-19/A	

ASSEMBLY INSTRUCTION  
UPLR220 "FULL CRIMP"  
TRUE 75Ω CONNECTORS TO  
FLEXIBLE COAXIAL CABLE

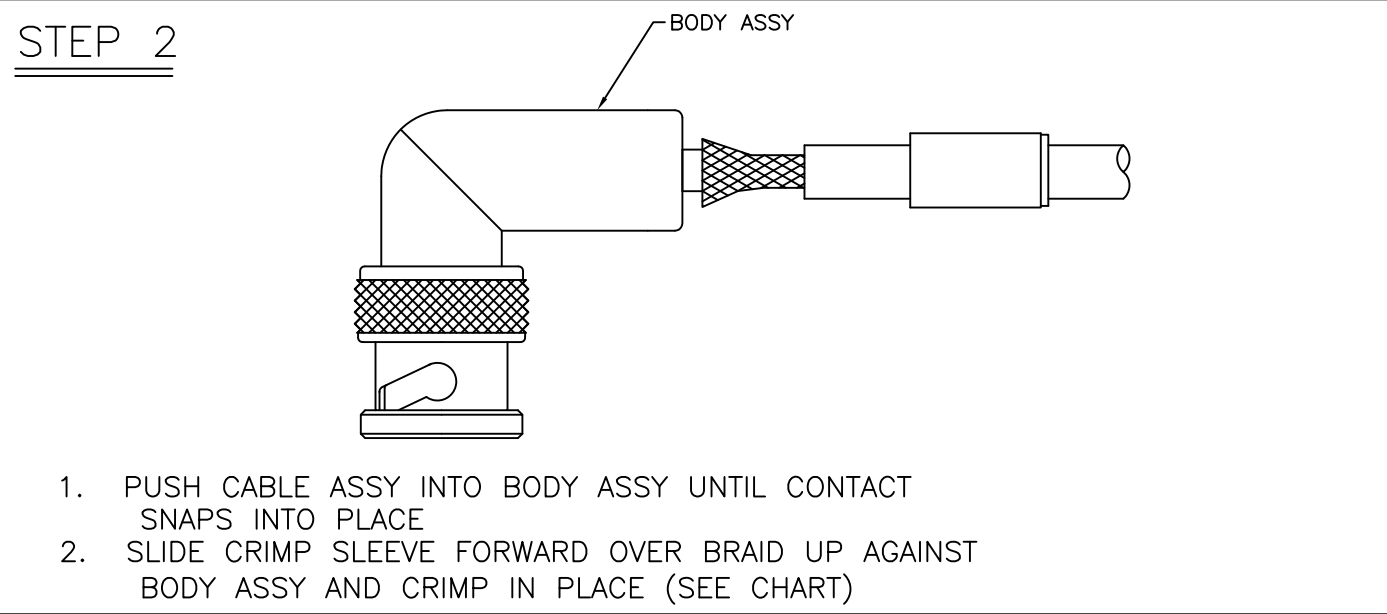
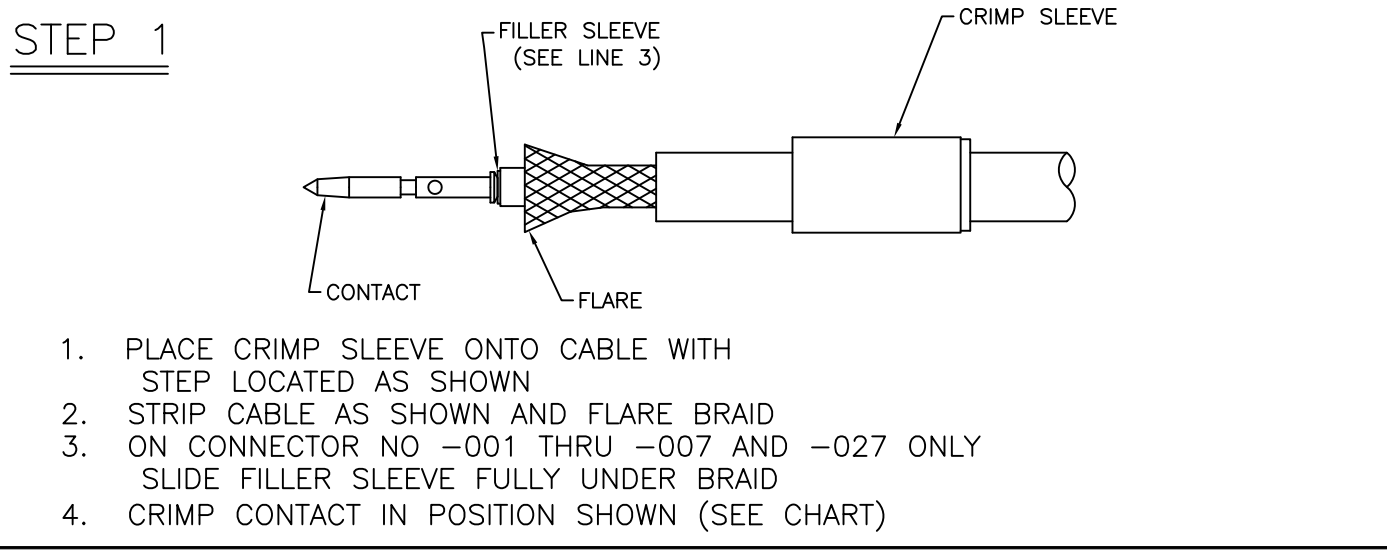


299 JOHNSON AVENUE  
WASECA, MN 56093-0832  
T:507 833 8822 F:507 833 6287  
WWW.CINCHCONNECTIVITY.COM  
MGF. CODE NO. 14949

TAI-221

REV D

MADE IN USA



UNLESS OTHERWISE SPECIFIED DIMENSIONS ARE IN INCHES TOLERANCES ARE:

FRACTIONS ±	DECIMALS .XX ±	ANGLES ±
	.XXX ±	
	.XXXX ±	



SIGNATURES	DATE
DRAWN BY M. SOURIPHONG	3/22/12
CHECKED BY C. ALDRICH	3/22/12
APPROVED BY T. KOHLER	3/22/12
APPROVED BY	

UPLR220 "FULL CRIMP" TRUE 75Ω CONNECTORS, TO FLEXIBLE COAXIAL CABLE			
SIZE B	CAGE CODE 14949	DWG NO. TAI-221	REV D
SCALE N/A	DATE	SHEET 1 OF 1	

## X-ON Electronics

Largest Supplier of Electrical and Electronic Components

*Click to view similar products for [RF Connectors / Coaxial Connectors](#) category:*

*Click to view products by [Bel Fuse](#) manufacturer:*

Other Similar products are found below :

[8915-1511-000](#) [89674-0827](#) [6001-7071-019](#) [6002-7051-003](#) [6002-7551-202](#) [6059674-1](#) [619550-1](#) [630059-000](#) [M39030/3-01N](#) [6500-7071-046](#) [6769](#) [CX050L2AQ](#) [7002-1541-010](#) [7002-1542-011](#) [7004-1512-000](#) [7009-1511-004](#) [7010-1511-000](#) [7029-1511-060](#) [7101-1541-010](#) [7101-1571-002](#) [7145-1521-002](#) [7203-1571-003](#) [7209-1511-011](#) [7210-1511-015](#) [7210-1511-019](#) [73137-5015](#) [73216-2241](#) [73404-2300](#) [7405-1521-005](#) [7405-1521-802](#) [8527](#) [8547](#) [FS11V](#) [877931](#) [8808-1511-001](#) [9049-9513-000](#) [9074-9513-000](#) [9101-9573-002](#) [910A205F](#) [9130-9573-002](#) [PL11SC-026](#) [PL375-33](#) [PL40-5](#) [PL74C-221](#) [PL75MC-217](#) [PL803-7](#) [1200690078](#) [1-201144-1](#) [R107003010W](#) [R110A172100](#)