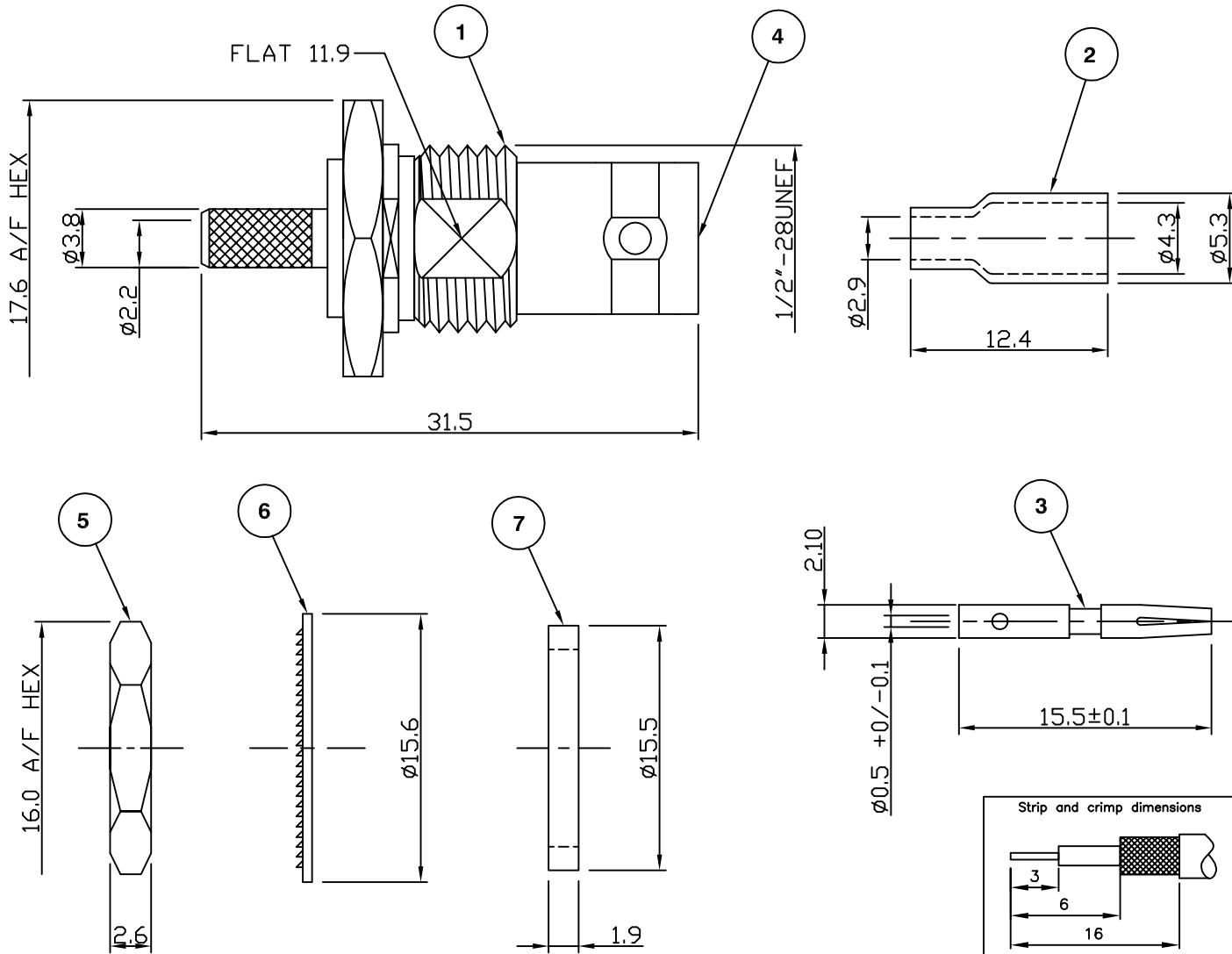


RoHS COMPLIANT



Electrical Characteristics

Nominal Impedance:	75 ohms
Frequency Range:	DC to 1 GHz
VSWR:	1.35:1 maximum
Insertion Loss:	0.2 dB at 3 GHz
Operating Voltage (rms):	500 V maximum at sea level
Dielectric Withstand Voltage (rms):	1500 V maximum at sea level
Contact Resistance:	1.5 milliohms maximum
Insulation Resistance:	5000 megohms minimum

Mechanical Characteristics

Mating Cycles:	500 cycles minimum
Interface Dimensions:	Conform to MIL-C-39012

Environmental Characteristics

Temperature Range:	-65 °C to +165 °C
--------------------	-------------------

PART	DESCRIPTION
1	Body Brass, nickel plated 1.78 µm
2	Ferrule Brass, nickel plated 1.78 µm
3	Contact Brass, gold plated 0.076 µm - 0.127 µm
4	Dielectric PTFE
5	Nut Brass, nickel plated 1.78 µm
6	Washer Steel, nickel plated 1.78 µm
7	Gasket Silicone

DESCRIPTION OF REVISION	APPVD	ISS	DATE
Add Tolerance to contact bore	MS	6	5 Oct 10
Strip & Crimp Dims Added	MS	5	24 Aug 09
Update dimensions	LB	4	23 June 09
Altered Assembly instructions	KA	3	14 Nov 08
Measurement update	KA	2	15 Aug 07
First Issue	RP	1	06 Dec 06

For stripping and assembly instructions see Drawing Number: VAIB4105



Cinch Connectivity Solutions
7-13 Russel Way,
Widford Industrial Estate,
Chelmsford, Essex,
CM1 3AA, UK,
Tel: +44 (0) 1245 359515
Fax: +44 (0) 1245 358938

SCALE: Not To Scale	DRAWN BY: R Presland	TITLE: BNC Bulkhead Crimp Jack for RG179
DIMENSIONS: mm	CHECKED BY: J Cracknell	PART NUMBER: VB40-2061
TOLERANCES: ± 0.2mm unless otherwise stated	APPROVED BY: M Spooner	
	DATE: 06 Dec 06	

PAGE: 1 of 1

X-ON Electronics

Largest Supplier of Electrical and Electronic Components

Click to view similar products for [RF Connectors / Coaxial Connectors](#) category:

Click to view products by [Bel Fuse](#) manufacturer:

Other Similar products are found below :

[8915-1511-000](#) [89674-0827](#) [6001-7071-019](#) [6002-7051-003](#) [6002-7551-202](#) [6059674-1](#) [619550-1](#) [630059-000](#) [M39030/3-01N](#) [6500-7071-046](#) [6769](#) [CX050L2AQ](#) [7002-1541-010](#) [7002-1542-011](#) [7004-1512-000](#) [7009-1511-004](#) [7010-1511-000](#) [7029-1511-060](#) [7101-1541-010](#) [7101-1571-002](#) [7145-1521-002](#) [7203-1571-003](#) [7209-1511-011](#) [7210-1511-015](#) [7210-1511-019](#) [73137-5015](#) [73216-2241](#) [73404-2300](#) [7405-1521-005](#) [7405-1521-802](#) [8527](#) [8547](#) [FS11V](#) [877931](#) [8808-1511-001](#) [9049-9513-000](#) [9074-9513-000](#) [9101-9573-002](#) [910A205F](#) [9130-9573-002](#) [PL11SC-026](#) [PL375-33](#) [PL40-5](#) [PL74C-221](#) [PL75MC-217](#) [PL803-7](#) [980-8666-005](#) [1200690078](#) [1-201144-1](#) [R107003010W](#)