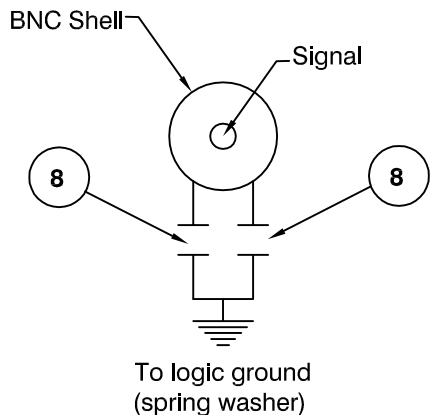
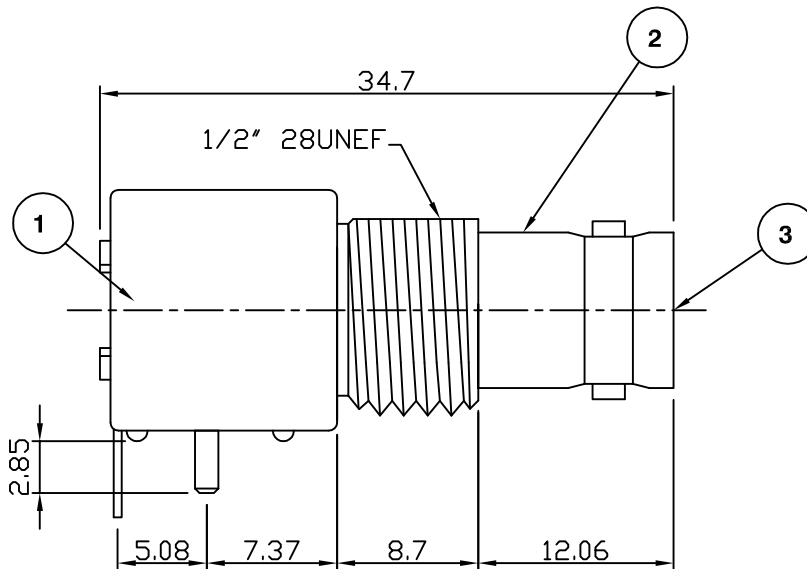
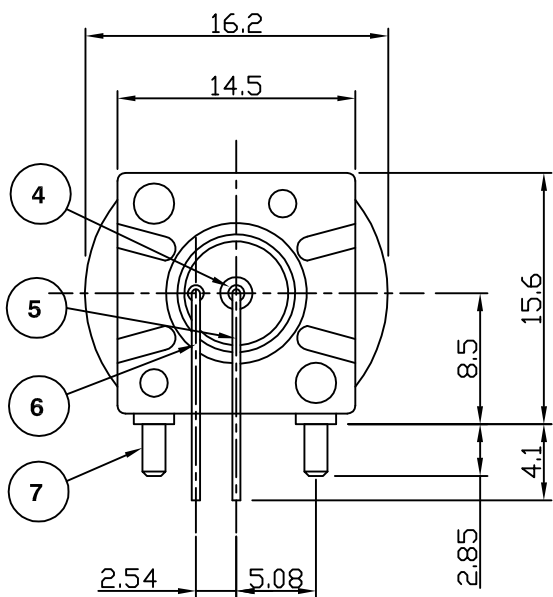
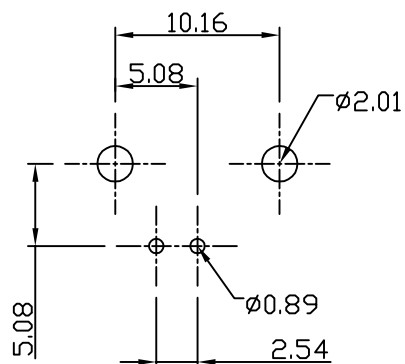


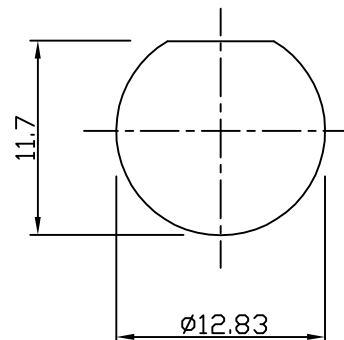
RoHS COMPLIANT



Capacitor Circuit Diagram



Recommended PCB Layout



Panel Cut-out

Electrical Characteristics
 Nominal Impedance: 75 ohms
 Frequency Range: DC to 1 GHz
 Operating Voltage (rms): 500 V maximum at sea level
 Dielectric Withstand Voltage (rms): 1500 V maximum at sea level
 Contact Resistance: 3.0 milliohms maximum
 Insulation Resistance: 5000 megohms minimum

Mechanical Characteristics
 Mating Cycles: 500 cycles minimum
 Interface Dimensions: Conform to MIL-C-39012

Environmental Characteristics
 Temperature Range: -65 °C to +165 °C

PART	DESCRIPTION
1 Body	PBT + 30% Glass Fibre (UL:94V-0)
2 Body	Zinc Alloy, nickel plated
3 Insulator	Polypropylene
4 Contact	Phosphor bronze, gold plated (Interface)
5 Signal Lead	Copper clad steel, tin plated
6 Ground Terminal	Copper wire, tin plated
7 Mounting Post	Brass, tin plated
8 Ceramic Chip Capacitor X 2	4700 pF ±10%

Corrected note Item 5, was tin lead	MS	2	05 Sep 13
First Issue	SN	1	11 Dec 01
DESCRIPTION OF REVISION	APPVD	ISS	DATE

Cinch Connectivity Solutions
 11 Bilton Road,
 Chelmsford, Essex,
 CM1 3AA,
 UK.
 Tel: +44 (0) 1245 359515
 Fax: +44 (0) 1245 358938

SCALE: Not To Scale
 DIMENSIONS: mm
 TOLERANCES:
 ± 0.2mm unless
 otherwise stated

DRAWN BY: S Nash
 CHECKED BY: P Couzens
 APPROVED BY: M Nielsen
 DATE: 11 Dec 01

TITLE:
**BNC Right Angle PCB Mount
 Jack Filter Connector**

PART NUMBER:
VBF201-75
 PAGE: 1 of 1

X-ON Electronics

Largest Supplier of Electrical and Electronic Components

Click to view similar products for [RF Connectors / Coaxial Connectors](#) category:

Click to view products by [Bel Fuse](#) manufacturer:

Other Similar products are found below :

[8915-1511-000](#) [89674-0827](#) [6001-7071-019](#) [6002-7051-003](#) [6002-7551-202](#) [6059674-1](#) [619550-1](#) [630059-000](#) [M39030/3-01N](#) [6500-7071-046](#) [6769](#) [CX050L2AQ](#) [7002-1541-010](#) [7002-1542-011](#) [7004-1512-000](#) [7009-1511-004](#) [7010-1511-000](#) [7029-1511-060](#) [7101-1541-010](#) [7101-1571-002](#) [7145-1521-002](#) [7203-1571-003](#) [7209-1511-011](#) [7210-1511-015](#) [7210-1511-019](#) [73137-5015](#) [73216-2241](#) [73404-2300](#) [7405-1521-005](#) [7405-1521-802](#) [8527](#) [8547](#) [FS11V](#) [877931](#) [8808-1511-001](#) [9049-9513-000](#) [9074-9513-000](#) [9101-9573-002](#) [910A205F](#) [9130-9573-002](#) [PL11SC-026](#) [PL375-33](#) [PL40-5](#) [PL74C-221](#) [PL75MC-217](#) [PL803-7](#) [1200690078](#) [1-201144-1](#) [R107003010W](#) [R110A172100](#)