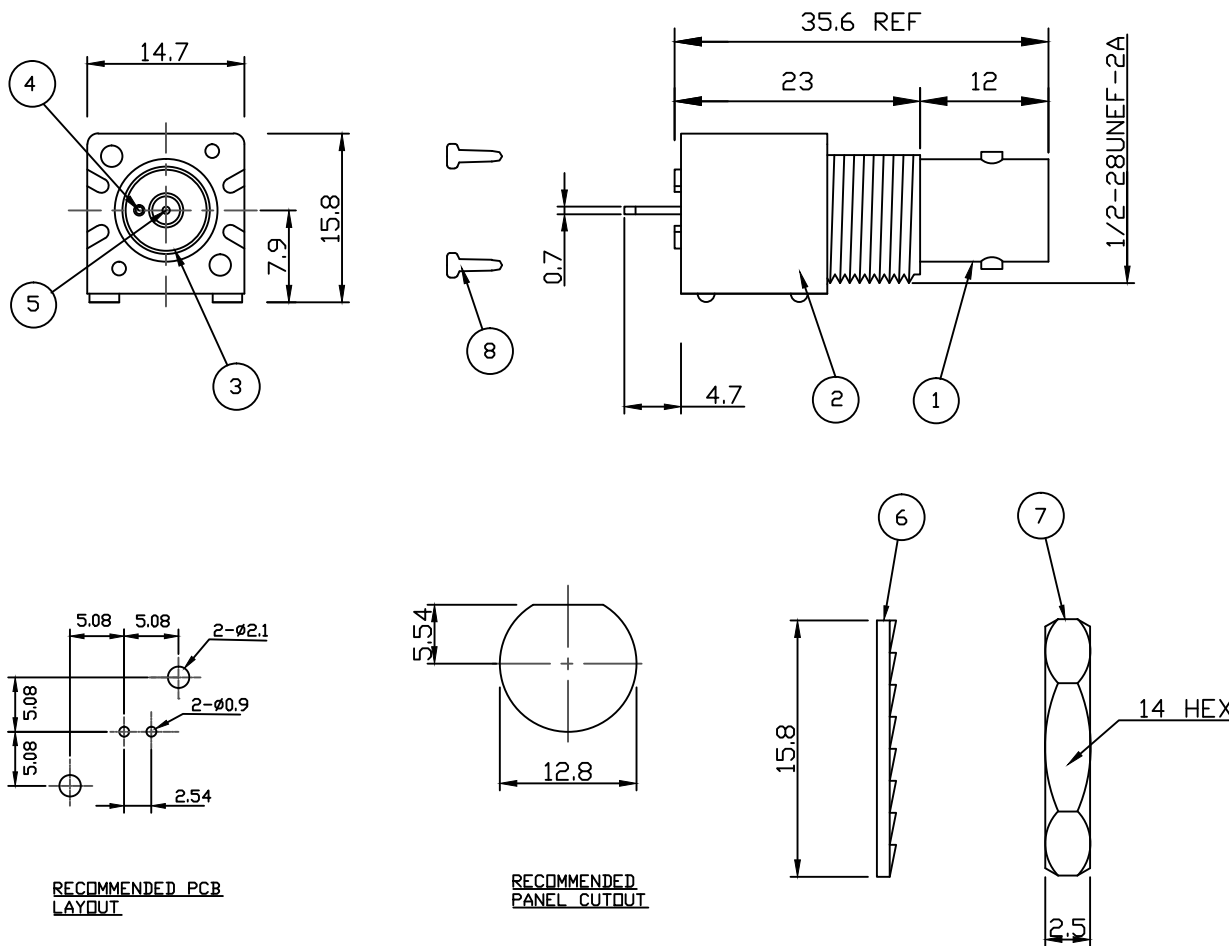


RoHS COMPLIANT



RECOMMENDED PCB LAYOUT

RECOMMENDED PANEL CUTOUT

Note: To be supplied with Mounting Screws.

Electrical Characteristics

Nominal Impedance:	50 ohms
Frequency Range:	DC to 1 GHz
VSWR:	1.3:1 maximum
Insertion Loss:	0.2 dB at 1 GHz
Operating Voltage (rms):	500 V maximum at sea level
Dielectric Withstand Voltage (rms):	1500 V maximum at sea level
Contact Resistance:	3.0 milliohms maximum
Insulation Resistance:	5000 megohms minimum

Mechanical Characteristics


Mating Cycles:	500 cycles minimum
Interface Dimensions:	Conform to MIL-C-39012

Environmental Characteristics

Temperature Range:	-55 °C to +85 °C
--------------------	------------------

REF.	DESCRIPTION	MATERIAL	PLATING
1	Shell	Zinc Alloy	Nickel
2	Body	P.B.T. White	
3	Insulator	PE-606	
4	Ground terminal	Copper Tin	Tin
5	Socket contact	Phosphor Bronze	Gold
6	Lock washer	Steel	Nickel
7	Hex Nut	Brass	Nickel
8	Screw	Steel	Nickel

DESCRIPTION OF REVISION	APPVD	ISS	DATE
Dimension/Title/Material Update	JC	6	07 Oct 15
Drawing Update	JC	5	10 Sept 15
ECN 2015-007	JC	4	11 Aug 15
PCB Layout	MS	3	28 Aug 09
CAD Issue	SN	2	07 Feb 02
First Issue	DH	1	06 Jan 98

 <p>CINCH CONNECTIVITY SOLUTIONS 11 Bilton Road, Chelmsford, Essex, CM1 2UP, UK. Tel: +44 (0) 1245 359515 Fax: +44 (0) 1245 358938</p>	SCALE: Not To Scale	DRAWN BY: S Nash	<p>TITLE: Insulated BNC Vertical PCB Mount Jack. Self-tap PBT body with supplied screws.</p>	<p>PART NUMBER: VBI302</p>
	DIMENSIONS: mm	CHECKED BY: S Nash		
	TOLERANCES: ± 0.2mm unless otherwise stated	APPROVED BY: M Nielsen		
	DATE: 07 Feb 02			
PAGE: 1 of 1				

X-ON Electronics

Largest Supplier of Electrical and Electronic Components

Click to view similar products for [RF Connectors / Coaxial Connectors](#) category:

Click to view products by [Bel Fuse](#) manufacturer:

Other Similar products are found below :

[8915-1511-000](#) [89674-0827](#) [6001-7071-019](#) [6002-7051-003](#) [6002-7551-202](#) [6059674-1](#) [619550-1](#) [630059-000](#) [M39030/3-01N](#) [6500-7071-046](#) [6769](#) [CX050L2AQ](#) [7002-1541-010](#) [7002-1542-011](#) [7004-1512-000](#) [7009-1511-004](#) [7010-1511-000](#) [7029-1511-060](#) [7101-1541-010](#) [7101-1571-002](#) [7145-1521-002](#) [7203-1571-003](#) [7209-1511-011](#) [7210-1511-015](#) [7210-1511-019](#) [73137-5015](#) [73216-2241](#) [73404-2300](#) [7405-1521-005](#) [7405-1521-802](#) [8527](#) [8547](#) [FS11V](#) [877931](#) [8808-1511-001](#) [9049-9513-000](#) [9074-9513-000](#) [9101-9573-002](#) [910A205F](#) [9130-9573-002](#) [PL11SC-026](#) [PL375-33](#) [PL40-5](#) [PL74C-221](#) [PL75MC-217](#) [PL803-7](#) [980-8666-005](#) [1200690078](#) [1-201144-1](#) [R107003010W](#)