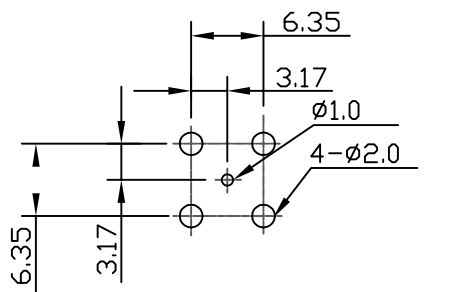
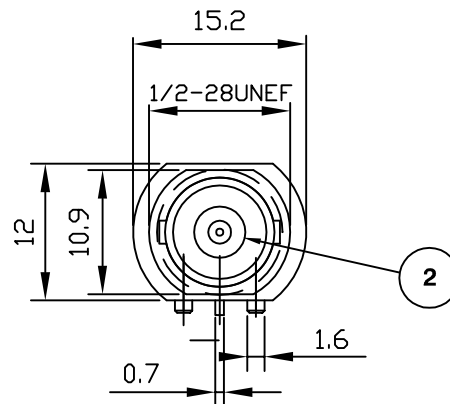
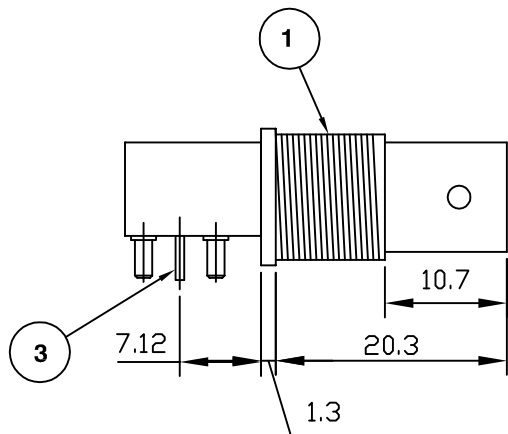
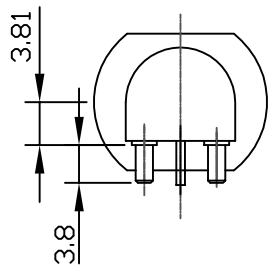
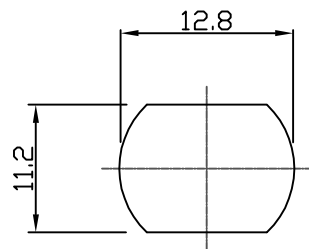


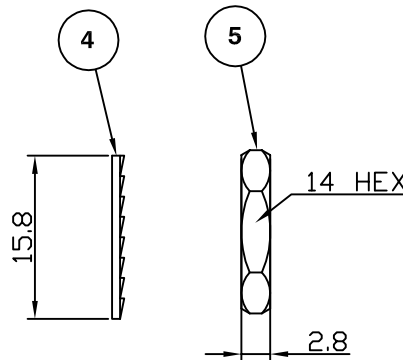
RoHS COMPLIANT



RECOMMENDED PCB LAYOUT



RECOMMENDED PANEL CUTOUT



**Electrical Characteristics**

Nominal Impedance:	75 ohms
Frequency Range:	DC to 1 GHz
VSWR:	1.35:1 maximum
Insertion Loss:	0.2 dB at 1 GHz
Operating Voltage (rms):	500 V maximum at sea level
Dielectric Withstand Voltage (rms):	1000 V maximum at sea level
Contact Resistance:	3.0 milliohms maximum
Insulation Resistance:	5000 megohms minimum
Current Rating:	3 Amps maximum

**Mechanical Characteristics**

Mating Cycles:	500 cycles minimum
Interface Dimensions:	Conform to MIL-C-39012

**Environmental Characteristics**

Temperature Range:	-55 °C to +85 °C
--------------------	------------------

REF.	DESCRIPTION	MATERIAL	PLATING
1	Shell	Zinc Alloy	Tin
2	Insulator	Polypropylene	
3	Socket Contact	Phosphor	Gold
4	Lock Washer	Brass	Nickel
5	Hex Nut	Brass	Nickel

DESCRIPTION OF REVISION	APPVD	ISS	DATE
Complete Update	KA	5	17 Mar 08
Dimensions corrected	SN	4	08 Jun 04
CAD Issue	SN	3	30 Oct 01
New Format	RCS	2	20 Jan 00
First Issue	AT	1	16 Sep 99



Cinch Connectivity Solutions  
 7-13 Russel Way,  
 Widford Industrial Estate,  
 Chelmsford, Essex,  
 CM1 3AA, UK.  
 Tel: +44 (0) 1245 359515  
 Fax: +44 (0) 1245 358938

SCALE: Not To Scale

DIMENSIONS: mm

TOLERANCES:  
 ± 0.2mm unless  
 otherwise stated

DRAWN BY:

S Nash

CHECKED BY:

J Cracknell

APPROVED BY:

S Nash

DATE:

07 Jun 04

TITLE:

Shielded BNC PCB Mount  
 R/A Jack (75 Ohm)

PART NUMBER:

**VBM511-75-1502**

PAGE: 1 of 1

## **X-ON Electronics**

Largest Supplier of Electrical and Electronic Components

*Click to view similar products for [RF Connectors / Coaxial Connectors](#) category:*

*Click to view products by [Bel Fuse](#) manufacturer:*

Other Similar products are found below :

[8915-1511-000](#) [89674-0827](#) [6001-7071-019](#) [6002-7051-003](#) [6002-7551-202](#) [6059674-1](#) [619550-1](#) [630059-000](#) [M39030/3-01N](#) [6500-7071-046](#) [6769](#) [CX050L2AQ](#) [7002-1541-010](#) [7002-1542-011](#) [7004-1512-000](#) [7009-1511-004](#) [7010-1511-000](#) [7029-1511-060](#) [7101-1541-010](#) [7101-1571-002](#) [7145-1521-002](#) [7203-1571-003](#) [7209-1511-011](#) [7210-1511-015](#) [7210-1511-019](#) [73137-5015](#) [73216-2241](#) [73404-2300](#) [7405-1521-005](#) [7405-1521-802](#) [8527](#) [8547](#) [FS11V](#) [877931](#) [8808-1511-001](#) [9049-9513-000](#) [9074-9513-000](#) [9101-9573-002](#) [910A205F](#) [9130-9573-002](#) [PL11SC-026](#) [PL375-33](#) [PL40-5](#) [PL74C-221](#) [PL75MC-217](#) [PL803-7](#) [1200690078](#) [1-201144-1](#) [R107003010W](#) [R110A172100](#)