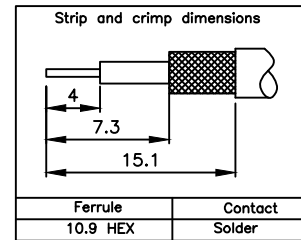
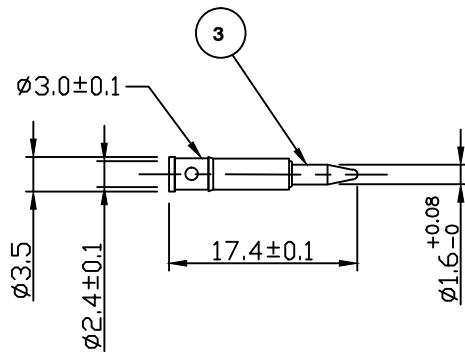
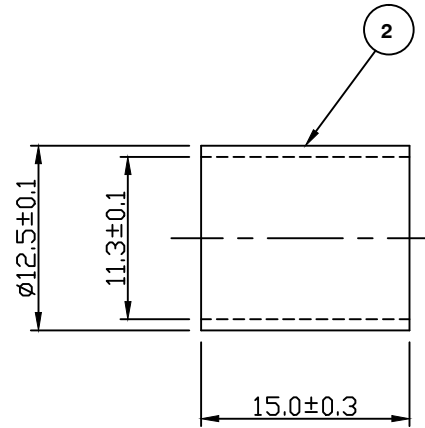
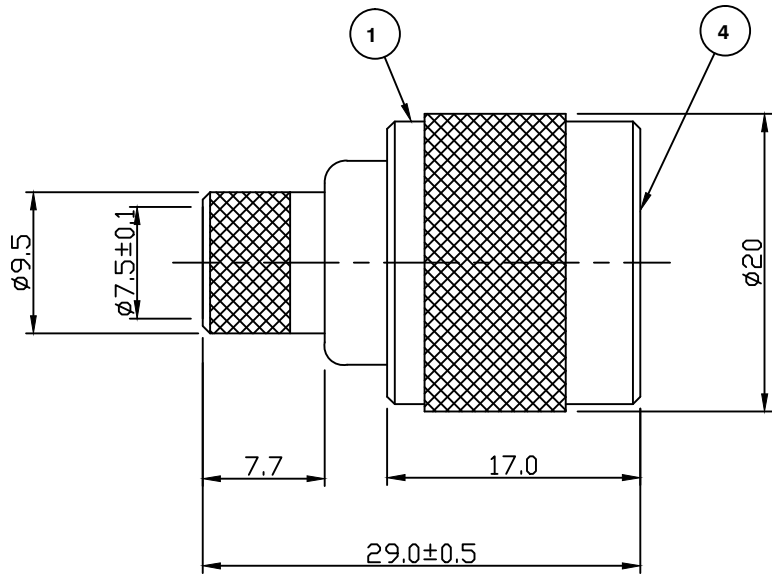


RoHS COMPLIANT



Electrical Characteristics

Nominal Impedance:	50 ohms
Frequency Range:	DC to 11 GHz
VSWR	1.35:1 maximum
Insertion Loss	0.17 dB max
Operating Voltage (rms):	1500 V maximum at sea level
Dielectric Withstand Voltage (rms):	2500 V maximum at sea level
Contact Resistance:	1.0 milliohms maximum
Insulation Resistance:	5000 megohms minimum

Mechanical Characteristics

Mating Cycles:	500 cycles minimum
Interface Dimensions:	Conform to MIL-C-39012

Environmental Characteristics

Temperature Range:	-65 °C to +165 °C
--------------------	-------------------

PART	DESCRIPTION
1	Body Brass, nickel plated 2.54 μ m
2	Ferrule Brass, nickel plated 2.54 μ m
3	Contact Brass, gold plated 0.076 μ m - 0.127 μ m
4	Dielectric PTFE

DESCRIPTION OF REVISION	APPVD	ISS	DATE
Dimensions Update - D17465	MS	8	14 Apr 21
Ferrule & Contact Dimensions Modified	JT	7	02 Mar 10
Crimp dimension was 3.3mm	PDC	6	04 Oct 02
CAD Issue	SN	5	14 Aug 02
Ferrule Dimension Modified	PDC	4	04 Oct 00
New Dimensions	RS	3	28 Jun 99
New Internal Design	DH	2	12 May 98
First Issue	AT	1	02 Feb 95

For stripping and assembly instructions see Drawing Number: VAIN1101



CINCH CONNECTIVITY SOLUTIONS
11 Bilton Road,
Chelmsford, Essex,
CM1 2UP, UK.
Tel: +44 (0) 1245 359515
Fax: +44 (0) 1245 358938

SCALE: Not To Scale

DIMENSIONS: mm

TOLERANCES:
 ± 0.2 mm unless
otherwise stated

DRAWN BY:	P D Couzens
CHECKED BY:	S Nash
APPROVED BY:	S Nash
DATE:	04 Oct 02

TITLE:
N Crimp Plug for RG213

PART NUMBER:
VN10-2020

PAGE: 1 of 1

X-ON Electronics

Largest Supplier of Electrical and Electronic Components

Click to view similar products for [RF Connectors / Coaxial Connectors](#) category:

Click to view products by [Bel Fuse](#) manufacturer:

Other Similar products are found below :

[8915-1511-000](#) [89674-0827](#) [6001-7071-019](#) [6002-7051-003](#) [6002-7551-202](#) [6059674-1](#) [619550-1](#) [630059-000](#) [M39030/3-01N](#) [6500-7071-046](#) [6769](#) [CX050L2AQ](#) [7002-1541-010](#) [7002-1542-011](#) [7004-1512-000](#) [7009-1511-004](#) [7010-1511-000](#) [7029-1511-060](#) [7101-1541-010](#) [7101-1571-002](#) [7145-1521-002](#) [7203-1571-003](#) [7209-1511-011](#) [7210-1511-015](#) [7210-1511-019](#) [73137-5015](#) [73216-2241](#) [73404-2300](#) [7405-1521-005](#) [7405-1521-802](#) [8527](#) [8547](#) [FS11V](#) [877931](#) [8808-1511-001](#) [9049-9513-000](#) [9074-9513-000](#) [9101-9573-002](#) [910A205F](#) [9130-9573-002](#) [PL11SC-026](#) [PL375-33](#) [PL40-5](#) [PL74C-221](#) [PL75MC-217](#) [PL803-7](#) [1200690078](#) [1-201144-1](#) [R107003010W](#) [R110A172100](#)