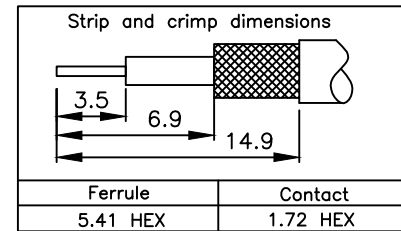
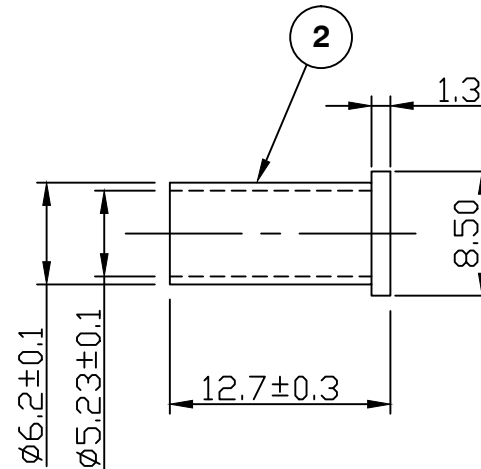
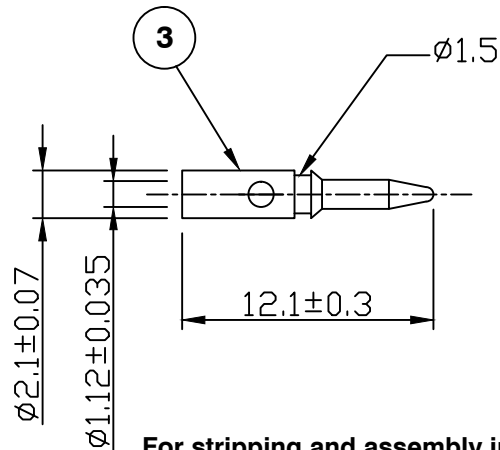
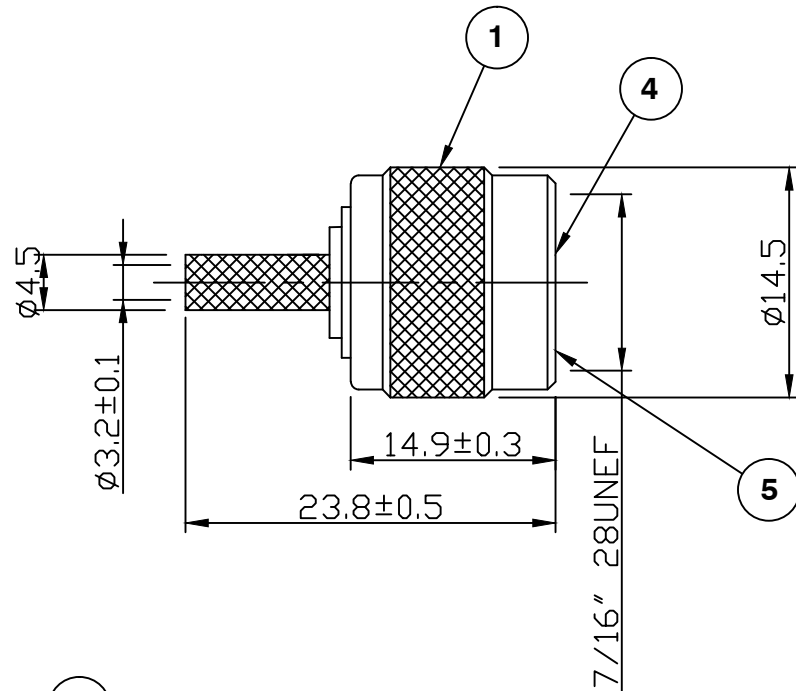


RoHS COMPLIANT



For stripping and assembly instructions see Drawing Number: VAIT1101

**Electrical Characteristics**

Nominal Impedance:	50 ohms
Frequency Range:	DC to 4.0 GHz
VSWR:	1.35:1 maximum
Insertion Loss:	0.2 dB at 3 GHz
Operating Voltage (rms):	500 V maximum at sea level
Dielectric Withstand Voltage (rms):	1500 V maximum at sea level
Contact Resistance:	1.5 milliohms maximum
Insulation Resistance:	5000 megohms minimum

**Mechanical Characteristics**

Mating Cycles:	500 cycles minimum
Interface Dimensions:	Conform to MIL-C-39012

**Environmental Characteristics**

Temperature Range:	-55 °C to +85 °C
--------------------	------------------

PART	DESCRIPTION
1	Body Zinc, Nickel Plated
2	Ferrule Brass, Nickel Plated
3	Contact Brass, Gold Plated
4	Dielectric POM, Natural
5	Gasket PVC, Red

DESCRIPTION OF REVISION	APPVD	ISS	DATE
ECN D17486 - Material / Dim Updates	MS	5	06 Jul 21
Altered Measurements	KA	4	28 Mar 08
Altered Measurements & changed Ferrule	KA	3	12 Oct 07
CAD Issue	SN	2	29 Jan 02
First Issue	AT	1	21 Jan 98



CINCH CONNECTIVITY SOLUTIONS  
11 Bilton Road,  
Chelmsford, Essex,  
CM1 2UP, UK.  
Tel: +44 (0) 1245 359515  
Fax: +44 (0) 1245 358938

SCALE: Not To Scale  
DIMENSIONS: mm  
TOLERANCES:  
± 0.2mm unless  
otherwise stated

DRAWN BY: S Nash  
CHECKED BY: S Nash  
APPROVED BY: P Couzens  
DATE: 29 Jan 02

TITLE:  
TNC Crimp Plug for RG58

PART NUMBER:  
VT10-2051

PAGE: 1 of 1

## X-ON Electronics

Largest Supplier of Electrical and Electronic Components

*Click to view similar products for [RF Connectors / Coaxial Connectors](#) category:*

*Click to view products by [Bel Fuse](#) manufacturer:*

Other Similar products are found below :

[8915-1511-000](#) [89674-0827](#) [6001-7071-019](#) [6002-7051-003](#) [6002-7551-202](#) [6059674-1](#) [619550-1](#) [630059-000](#) [M39030/3-01N](#) [6500-7071-046](#) [6769](#) [CX050L2AQ](#) [7002-1541-010](#) [7002-1542-011](#) [7004-1512-000](#) [7009-1511-004](#) [7010-1511-000](#) [7029-1511-060](#) [7101-1541-010](#) [7101-1571-002](#) [7145-1521-002](#) [7203-1571-003](#) [7209-1511-011](#) [7210-1511-015](#) [7210-1511-019](#) [73137-5015](#) [73216-2241](#) [73404-2300](#) [7405-1521-005](#) [7405-1521-802](#) [8527](#) [8547](#) [FS11V](#) [877931](#) [8808-1511-001](#) [9049-9513-000](#) [9074-9513-000](#) [9101-9573-002](#) [910A205F](#) [9130-9573-002](#) [PL11SC-026](#) [PL375-33](#) [PL40-5](#) [PL74C-221](#) [PL75MC-217](#) [PL803-7](#) [1200690078](#) [1-201144-1](#) [R107003010W](#) [R110A172100](#)