

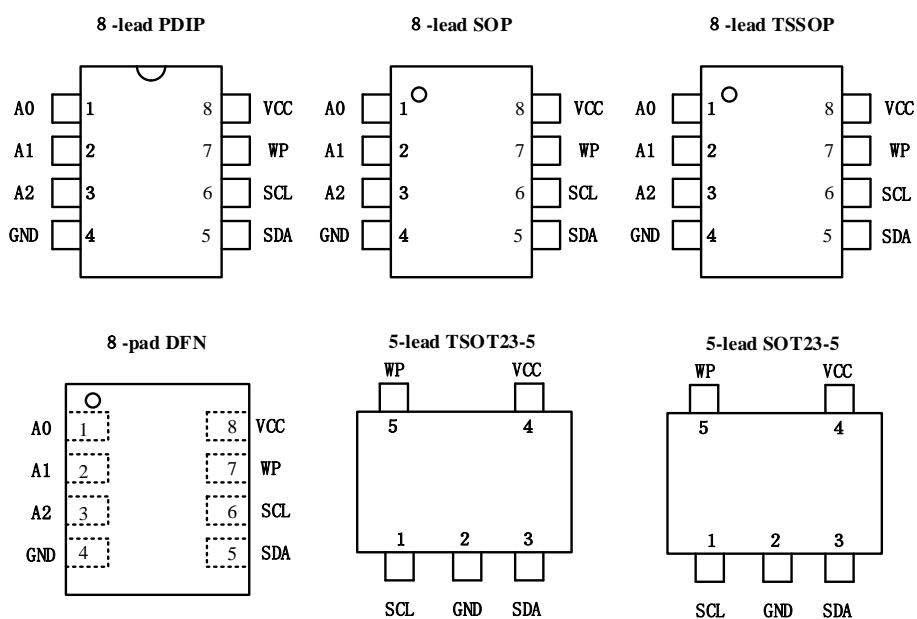
Features

- Compatible with all I²C bidirectional data transfer protocol
- Memory array:
 - 32 Kbits (4Kbytes) of EEPROM
 - Page size: 32 bytes
- Single supply voltage and high speed:
 - 1.7V-5.5V/400kHz
 - 2.5V-5.5V/1MHz
 Random and sequential Read modes
- Write:
 - Byte Write within 3 ms
 - Page Write within 3 ms
- Partial Page Writes Allowed
- Write Protect Pin for Hardware Data Protection
- Schmitt Trigger, Filtered Inputs for Noise Suppression
- High-reliability
 - Endurance: 1 Million Write Cycles
 - Data Retention: 100 Years
- Enhanced ESD/Latch-up protection
 - HBM 5000V
- 8-lead PDIP/SOP/TSSOP/UDFN and TSOT23-5 packages

Description

- The BL24C32F provides 32768 bits of serial electrically erasable and programmable read-only memory (EEPROM), organized as 4096 bytes.
- The device is optimized for use in many industrial and commercial applications where low-power and low-voltage operation are essential.

Pin Configuration



Pin Descriptions

Pin Name	Type	Functions
A0-A2	I	Address Inputs
SDA	I/O	Serial Data
SCL	I	Serial Clock Input
WP	I	Write Protect
GND	P	Ground
Vcc	P	Power Supply

Table 1

Block Diagram

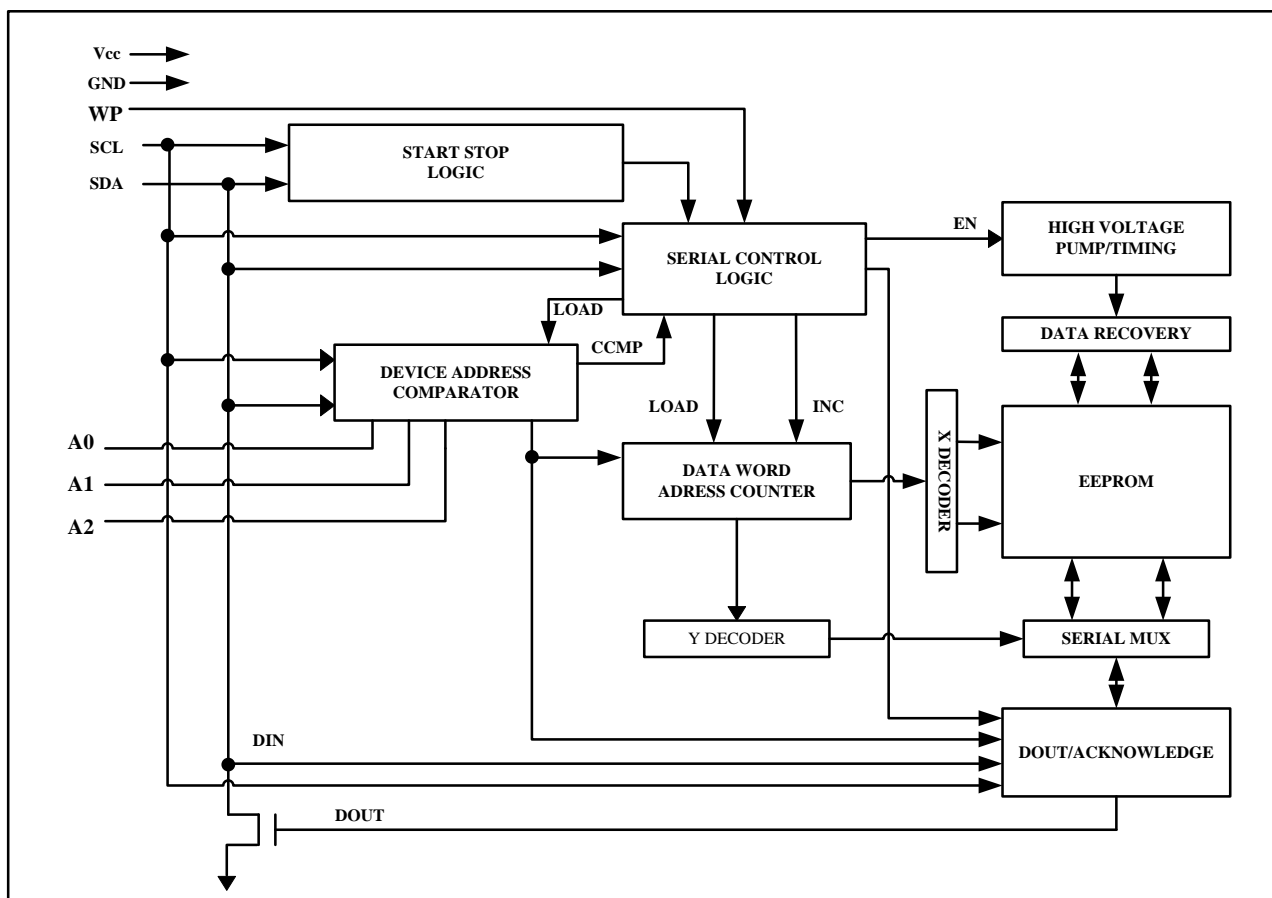


Figure 1

DEVICE/PAGE ADDRESSES (A2, A1 and A0): The A2, A1 and A0 pins are device address inputs that are hard wire for the BL24C32F. Eight 32K devices may be addressed on a single bus system (device addressing is discussed in detail under the Device Addressing section).

SERIAL DATA (SDA): The SDA pin is bi-directional for serial data transfer. This pin is open-drain driven and may be wire-OR'ed with any number of other open-drain or open-collector devices.

SERIAL CLOCK (SCL): The SCL input is used to positive edge clock data into each EEPROM device and negative edge clock data out of each device.

WRITE PROTECT (WP): The BL24C32F has a Write Protect pin that provides hardware data protection. The Write Protect pin allows normal read/write operations when connected to ground (GND). When the Write Protection pin is connected to V_{CC}, the write protection feature is enabled and operates as shown in the following **Table 2**.

WP Pin Status	BL24C32F
At VCC	Full(32K)Array
At GND	Normal Read/Write Operations

Table 2

Functional Description

1. Memory Organization

BL24C32F, 32K SERIAL EEPROM: Internally organized with 128 pages of 32 bytes each, the 32K requires a 12-bit data word address for random word addressing.

2. Device Operation

CLOCK and DATA TRANSITIONS: The SDA pin is normally pulled high with an external device. Data on the SDA pin can change only during SCL low time periods (see **Figure 2**). Data changes during SCL high periods will indicate a start or stop condition as defined below.

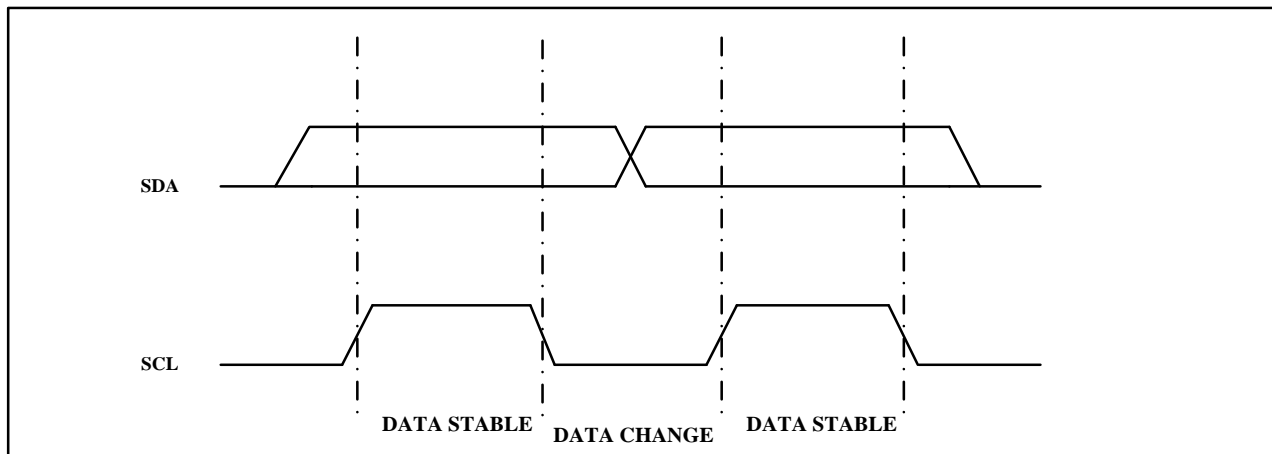


Figure 2. Data Validity

START CONDITION: A high-to-low transition of SDA with SCL high is a start condition which must precede any other command (see **Figure 3**).

STOP CONDITION: A low-to-high transition of SDA with SCL high is a stop condition. (see **Figure 3**).

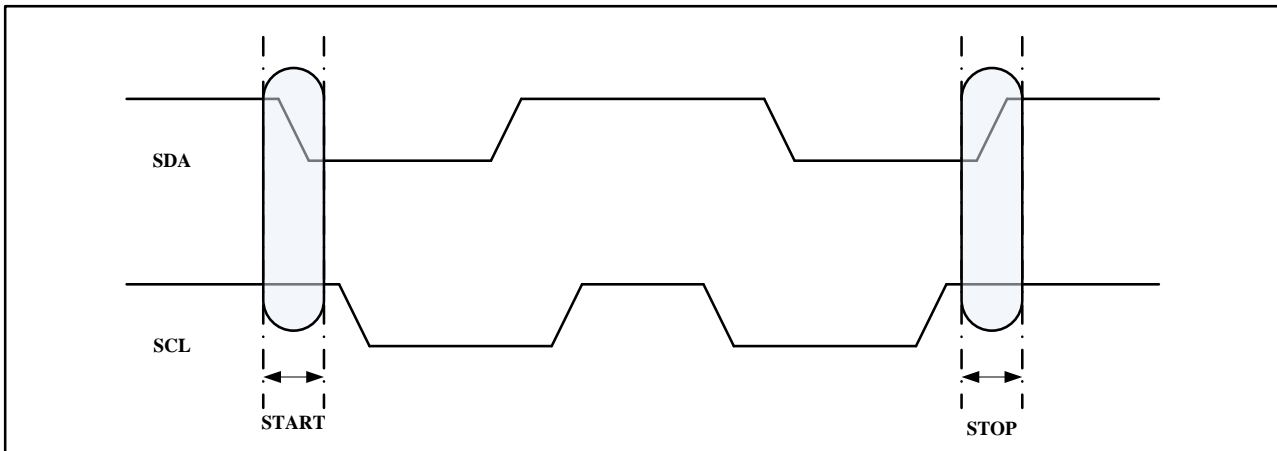


Figure 3. Start and Stop Definition

ACKNOWLEDGE: All addresses and data words are serially transmitted to and from the EEPROM in 8-bit words. The EEPROM sends a "0" to acknowledge that it has received each word. This happens during the ninth clock cycle.

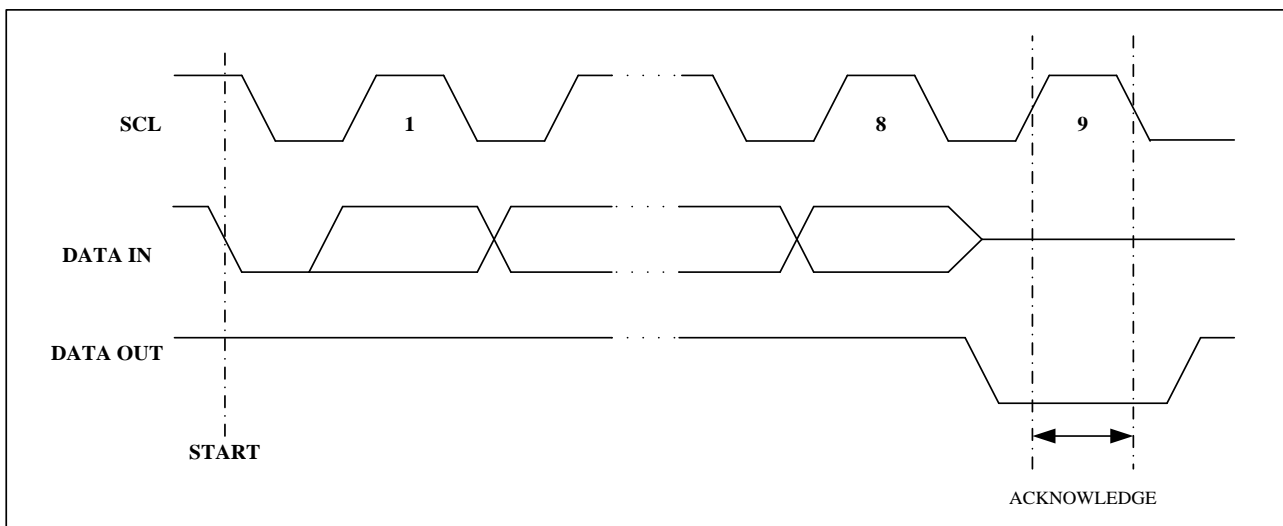


Figure 4. Output Acknowledge

STANDBY MODE: The BL24C32F features a low-power standby mode which is enabled:

- (a) upon power-up
- (b) after the receipt of the STOP bit and the completion of any internal operations.

MEMORY RESET: After the protocol is interrupted, power loss or system reset, any two-wire part can be reset by following these steps:

1. Clock up to 9 cycles.
2. Look for SDA high in each cycle while SCL is high.
3. Create a start condition.

3. Device Addressing

The 32K EEPROM devices all require an 8-bit device address word following a start condition to enable the chip for a read or write operation (see **Figure 5**)

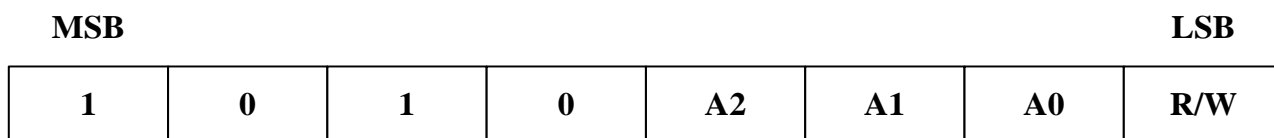


Figure 5. Device Address

The device address word consists of a mandatory "1", "0" sequence for the first four most significant bits as shown. This is common to all the Serial EEPROM devices.

The 32K EEPROM uses A2, A1 and A0 device address bits to allow as much as eight devices on the same bus. These 3 bits must be compared to their corresponding hardwired input pins. The A2, A1 and A0 pins use an internal proprietary circuit that biases them to a logic low condition if the pins are allowed to float.

The eighth bit of the device address is the read/write operation select bit. A read operation is initiated if this bit is high and a write operation is initiated if this bit is low.

Upon a compare of the device address, the EEPROM will output a "0". If a compare is not made, the chip will return to standby state.

DATA SECURITY: The BL24C32F has a hardware data protection scheme that allows the user to write protect the entire memory when the WP pin is at VCC.

4. Write Operations

BYTE WRITE: A write operation requires two 8-bit data word address (see **Table 3 & Table 4**) following the device address word and acknowledgment. Upon receipt of every 8-bit address, the EEPROM will respond with a "0" and then send 8-bit data word. Following receipt of the 8-bit data word, the EEPROM will output a "0" and the master device, such as a microcontroller, must terminate the write sequence with a stop condition. At this time the EEPROM enters an internally timed write cycle, tWR, in order to save the data in the nonvolatile memory. All inputs are disabled during this write cycle and the EEPROM will not respond until the write is complete (see **Figure 6**).

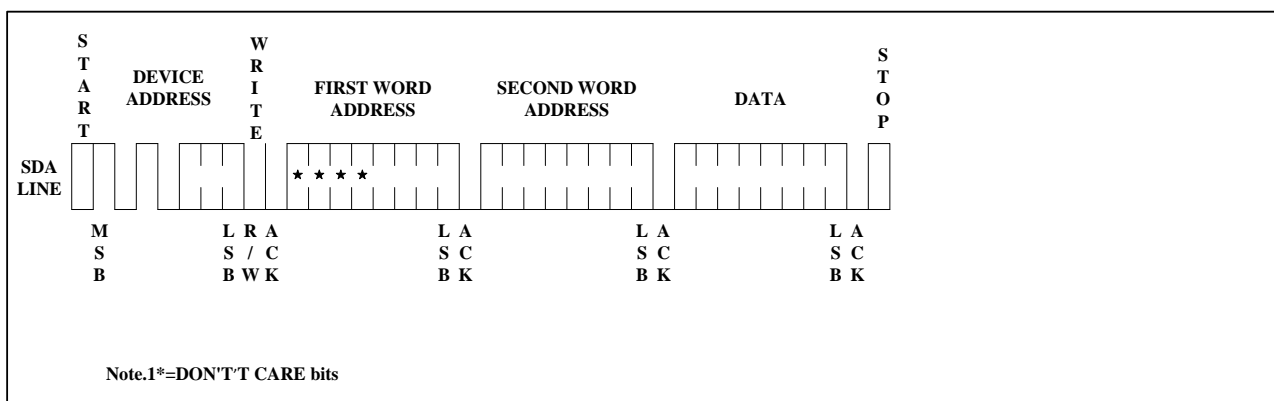


Figure 6. Byte Write

B15	B14	B13	B12	B11	B10	B9	B8
------------	------------	------------	------------	------------	------------	-----------	-----------

Table 3. FIRST WORD ADDRESS

B7	B6	B5	B4	B3	B2	B1	B0
-----------	-----------	-----------	-----------	-----------	-----------	-----------	-----------

Table 4. SECOND WORD ADDRESS

PAGE WRITE: The Page Write mode allows up to 32 bytes to be written in a single Write cycle. A page write is initiated the same as a byte write, but the microcontroller does not send a stop condition after the first data word is clocked in. Instead, after the EEPROM acknowledges receipt of the first data word, the microcontroller can transmit up to 31 more data words. The EEPROM will respond with a "0" after each data word received. The microcontroller must terminate the page write sequence with a stop condition.

The data word address lower five bits are internally incremented following the receipt of each data word. The higher data word address bits are not incremented, retaining the memory page row location. When the word address, internally generated, reaches the page boundary, the following byte is placed at the beginning of the same page. If more than 32 data words are transmitted to the EEPROM, the data word address will "roll over" and previous data will be overwritten (see **Figure 7**).

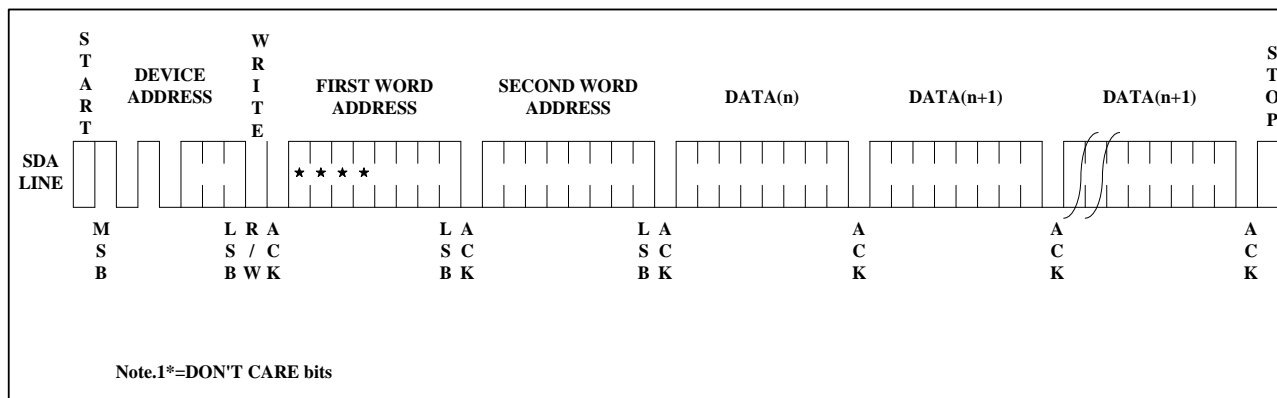


Figure 7. Page Write

ACKNOWLEDGE POLLING: Once the internally timed write cycle has started and the EEPROM inputs are disabled, acknowledge polling can be initiated. This involves sending a start condition followed by the device address word. The read/write bit is representative of the operation desired. Only if the internal write cycle has completed will the EEPROM respond with a "0", allowing the read or write sequence to continue.

5. Read Operations

Read operations are initiated the same way as write operations with the exception that the read/write select bit in the device address word is set to "1". There are three read operations: current address read, random address read and sequential read.

CURRENT ADDRESS READ: The internal data word address counter maintains the last address accessed during the last read or write operation, incremented by one. This address stays valid between operations as long as the chip power is maintained. The address "roll over" during read is from the last byte of the last memory page to the first byte of the first page. The address "roll over" during write is from the last byte of the current page to the first byte of the same page. Once the device address with the read/write select bit set to "1" is clocked in and acknowledged by the EEPROM, the current address data word is serially clocked out. The microcontroller does not respond with an input "0" but does generate a following stop condition (see **Figure 8**).

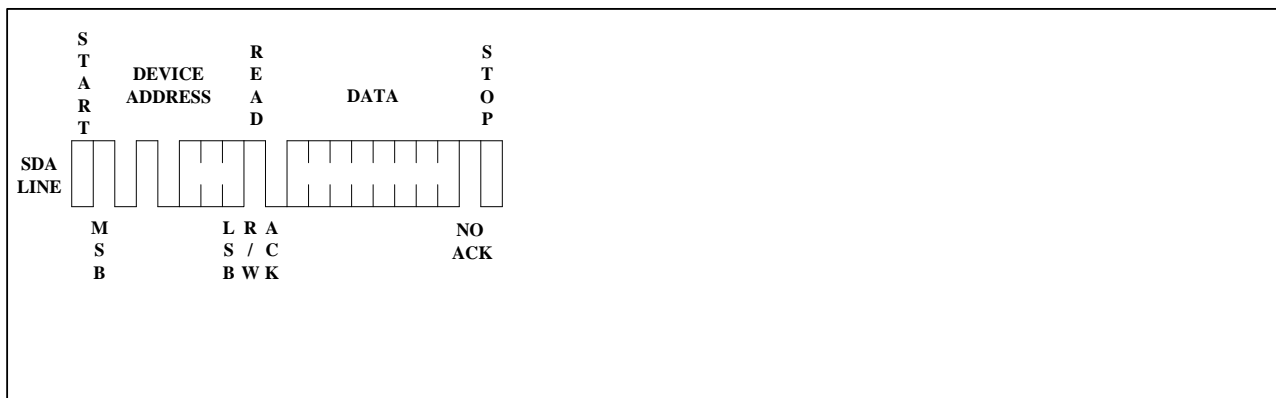


Figure 8. Current Address Read

RANDOM READ: A random read requires a "dummy" byte write sequence to load in the data word address. Once the device address word and data word address are clocked in and acknowledged by the EEPROM, the microcontroller must generate another start condition. The microcontroller now initiates a current address read by sending a device address with the read/write select bit high. The EEPROM acknowledges the device address and serially clocks out the data word. The microcontroller does not respond with a "0" but does generate a following stop condition (see **Figure 9**)

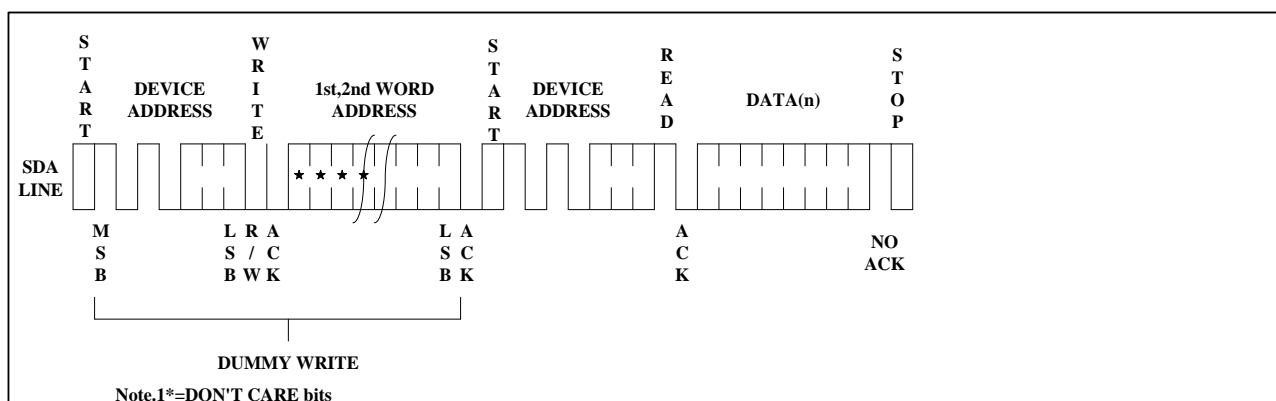


Figure 9. Random Read

BL24C32F 32K bits (4,096×8)

SEQUENTIAL READ: Sequential reads are initiated by either a current address read or a random address read. After the microcontroller receives a data word, it responds with an acknowledge. As long as the EEPROM receives an acknowledge, it will continue to increment the data word address and serially clock out sequential data words. When the memory address limit is reached, the data word address will "roll over" and the sequential read will continue. The sequential read operation is terminated when the microcontroller does not respond with a "0" but does generate a following stop condition (see **Figure 10**).

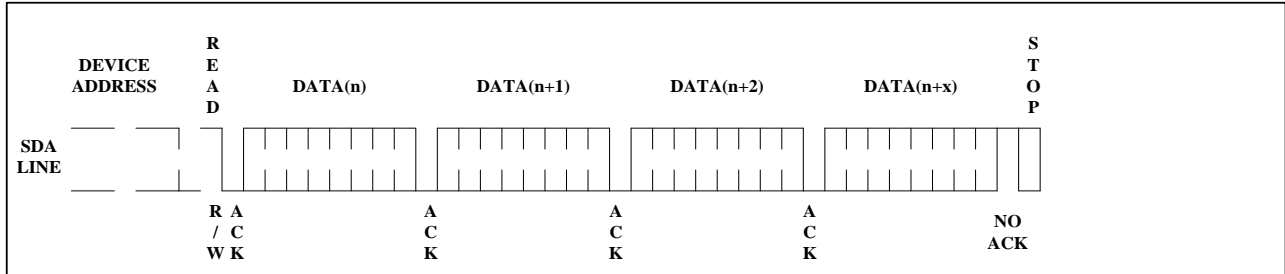


Figure 10. Sequential Read

Electrical Characteristics

Absolute Maximum Stress Ratings:

- DC Supply Voltage -0.3V to +6.5V
- Input / Output Voltage GND-0.3V to VCC+0.3V
- Operating Ambient Temperature -40°C to +85°C
- Storage Temperature -65°C to +150°C
- Electrostatic pulse (Human Body model) 5000V

Comments:

Stresses above those listed under "Absolute Maximum Ratings" may cause permanent damage to this device. These are stress ratings only. Functional operation of this device at these or any other conditions above those indicated in the operational sections of this specification is not implied or intended. Exposure to the absolute maximum rating conditions for extended periods may affect device reliability.

DC Electrical Characteristics

Applicable over recommended operating range from (unless otherwise noted):

BL24C32F	TA =-40°C to +85°C	VCC = +1.7V to +5.5V@400kHz				
BL24C32FE1	TA =-40°C to +105°C	VCC = +2.5V to +5.5V@1MHz				
BL24C32FE0	TA =-40°C to +125°C	CL=100 pF				
Parameter	Symbol	Min	Typ	Max	Unit	Condition
Supply Current VCC=5.0V	I _{CC1}	-	0.14	0.3	mA	READ at 400KHZ
Supply Current VCC=5.0V	I _{CC2}	-	0.28	0.5	mA	WRITE at 400KHZ
Supply Current VCC=5.0V	I _{SB1}	-	0.03	0.5	μA	V _{IN} =V _{CC} or V _{SS}
Input Leakage Current	I _{L1}	-	0.10	1.0	μA	V _{IN} =V _{CC} or V _{SS}
Output Leakage Current	I _{LO}	-	0.05	1.0	μA	V _{OUT} =V _{CC} or V _{SS}
Input Low Level	V _{IL1}	-0.3	-	V _{CC} ×0.3	V	V _{CC} =1.7V to 5.5V
Input High Level	V _{IH1}	V _{CC} ×0.7	-	V _{CC} +0.3	V	V _{CC} =1.7V to 5.5V
Output Low Level VCC=1.7V	V _{OL1}	-	-	0.2	V	I _{OL} =0.15mA
Output Low Level VCC=5.0V	V _{OL2}	-	-	0.4	V	I _{OL} =3.0mA

Table 5

Pin Capacitance

Applicable over recommended operating range from TA = 25°C, f = 1.0 MHz, VCC = +1.7V

Parameter	Symbol	Min	Typ	Max	Unit	Condition
Input/Output Capacitance(SDA)	C _{I/O}	-	-	8	pF	V _{IO} =0V
Input Capacitance(A0,A1,A2,SCL)	C _{IN}	-	-	6	pF	V _{IN} =0V

Table 6

AC Electrical Characteristics

Applicable over recommended operating range from (unless otherwise noted):

Parameter	Symbol	1.7V ≤ V _{CC} < 2.5V			2.5V ≤ V _{CC} < 5.5V			Units
		Min	Typ	Max	Min	Typ	Max	
BL24C32F	TA = -40°C to +85°C	VCC = +1.7V to +5.5V @ 400kHz VCC = +2.5V to +5.5V @ 1MHz CL=100 pF						
BL24C32FE1	TA = -40°C to +105°C							
BL24C32FE0	TA = -40°C to +125°C							
Clock Frequency, SCL	f _{SCL}	-	-	400	-	-	1000	kHz
Clock Pulse Width Low	t _{LOW}	1.3	-	-	0.5	-	-	μs
Clock Pulse Width High	t _{HIGH}	0.6	-	-	0.26	-	-	μs
Noise Suppression Time	t _i	-	-	50	-	-	50	ns
Clock Low to Data Out Valid	t _{AA}	-	-	0.9	-	-	0.45	μs
Time the bus must be free before a new transmission can start	t _{BUF}	1.3	-	-	0.5	-	-	μs
Start Hold Time	t _{HD:STA}	0.6	-	-	0.25	-	-	μs
Start Setup Time	t _{SU:STA}	0.6	-	-	0.25	-	-	μs
Data In Hold Time	t _{HD:DAT}	0	-	-	0	-	-	μs
Data in Setup Time	t _{SU:DAT}	100	-	-	100	-	-	ns
Input Rise Time(1)	t _R	-	-	0.3	-	-	0.12	μs
Input Fall Time(1)	t _F	-	-	0.3	-	-	0.12	μs
Stop Setup Time	t _{SU:STO}	0.6	-	-	0.25	-	-	μs
Data Out Hold Time	t _{DH}	50	-	-	50	-	-	ns
Write Cycle Time	t _{WR}	-	1.9	3	-	1.9	3	ms
5.0V, 25°C, Byte Mode(1)	Endurance	1M	-	-	1M	-	-	Write Cycle

Table 7

Notes:

1. This parameter is characterized and is not 100% tested.
2. AC measurement conditions:
 RL (connects to VCC): 1.3K
 Input pulse voltages: 0.3VCC to 0.7VCC
 Input rise and fall time: 50ns
 Input and output timing reference voltages: 0.5VCC
 The value of RL should be concerned according to the actual loading on the user's system.

Bus Timing

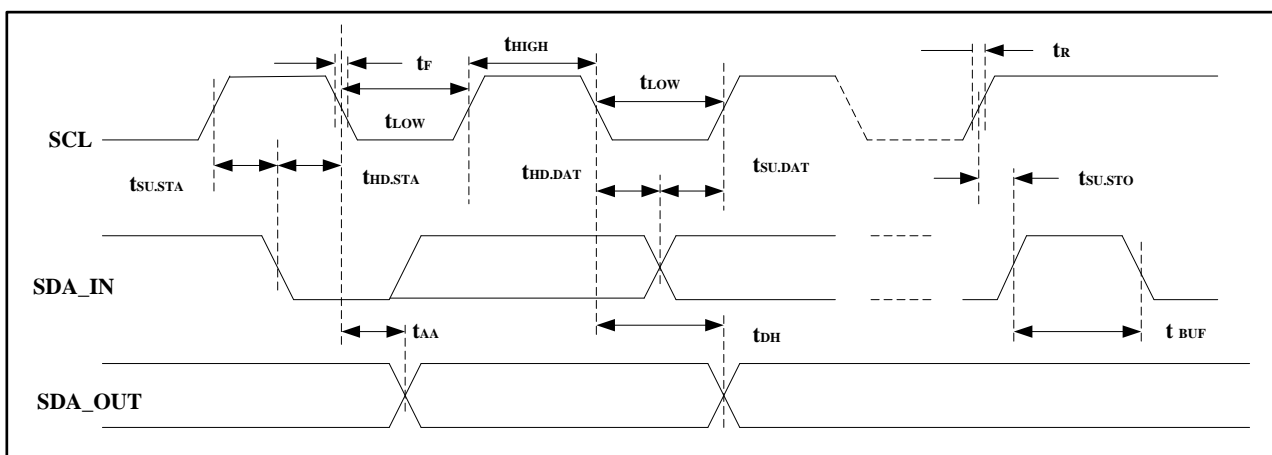


Figure 11. SCL: Serial Clock, SDA: Serial Data I/O

Write Cycle Timing

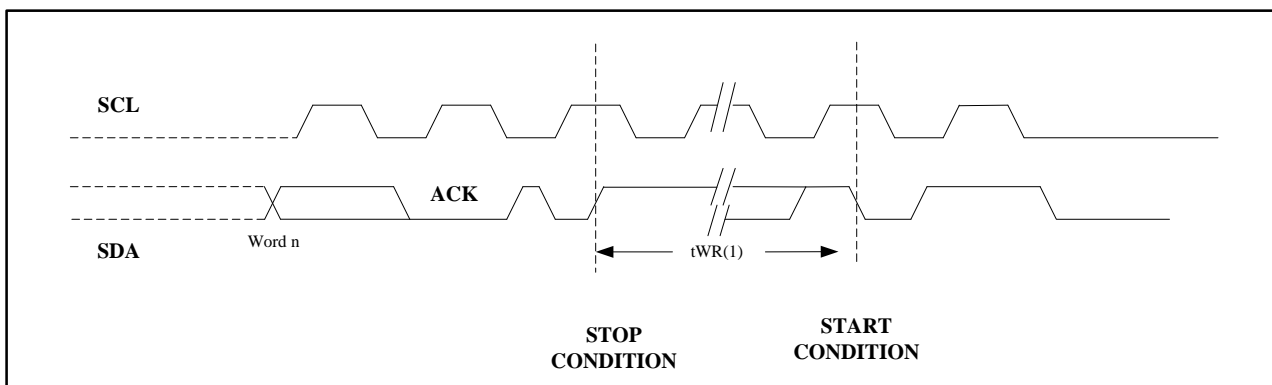


Figure 12. SCL: Serial Clock, SDA: Serial Data I/O

Notes:

The write cycle time t_{WR} is the time from a valid stop condition of a write sequence to the end of the internal clear/write cycle.

Package Information

PDIP Outline Dimensions

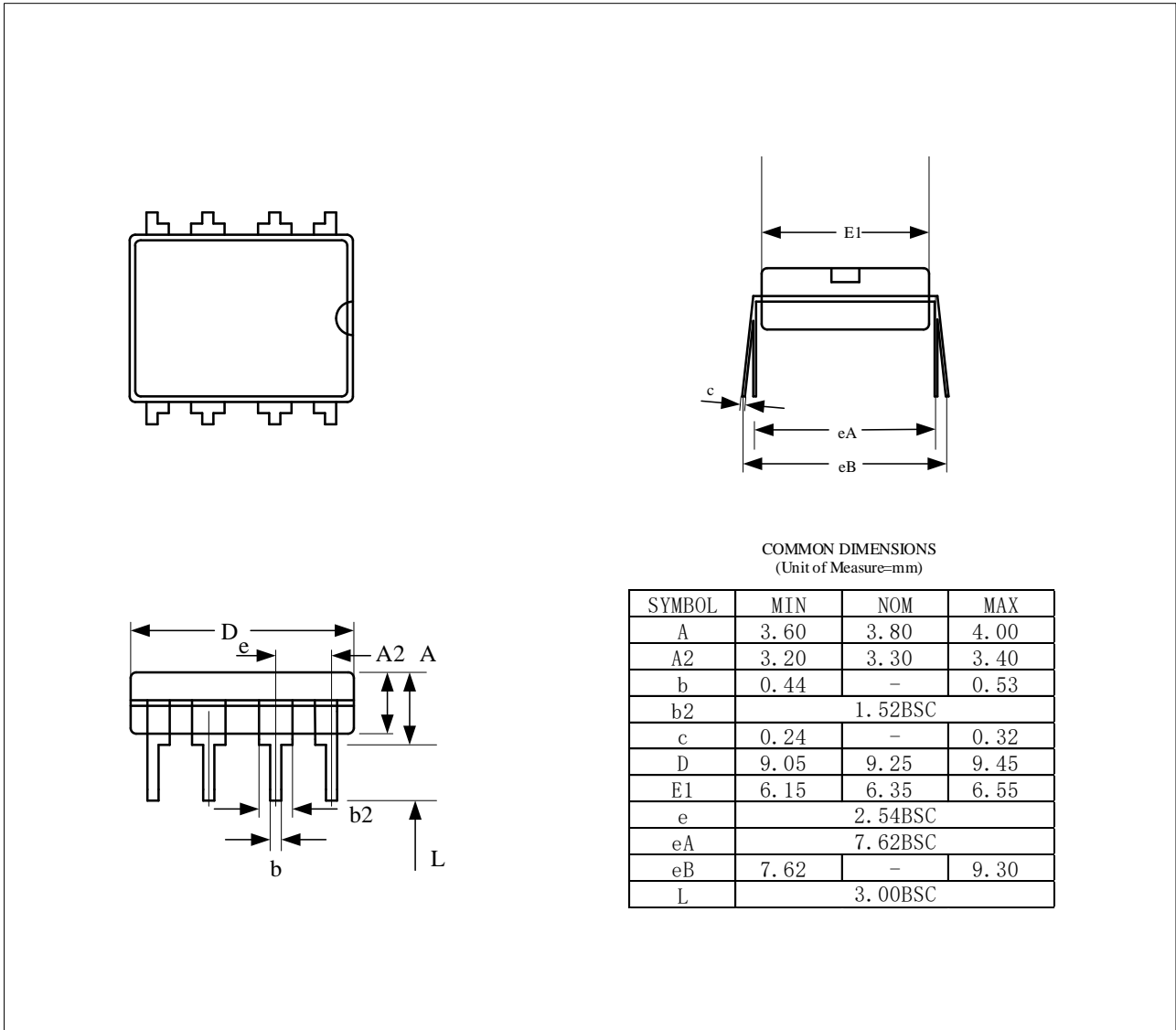


Figure 13

SOP

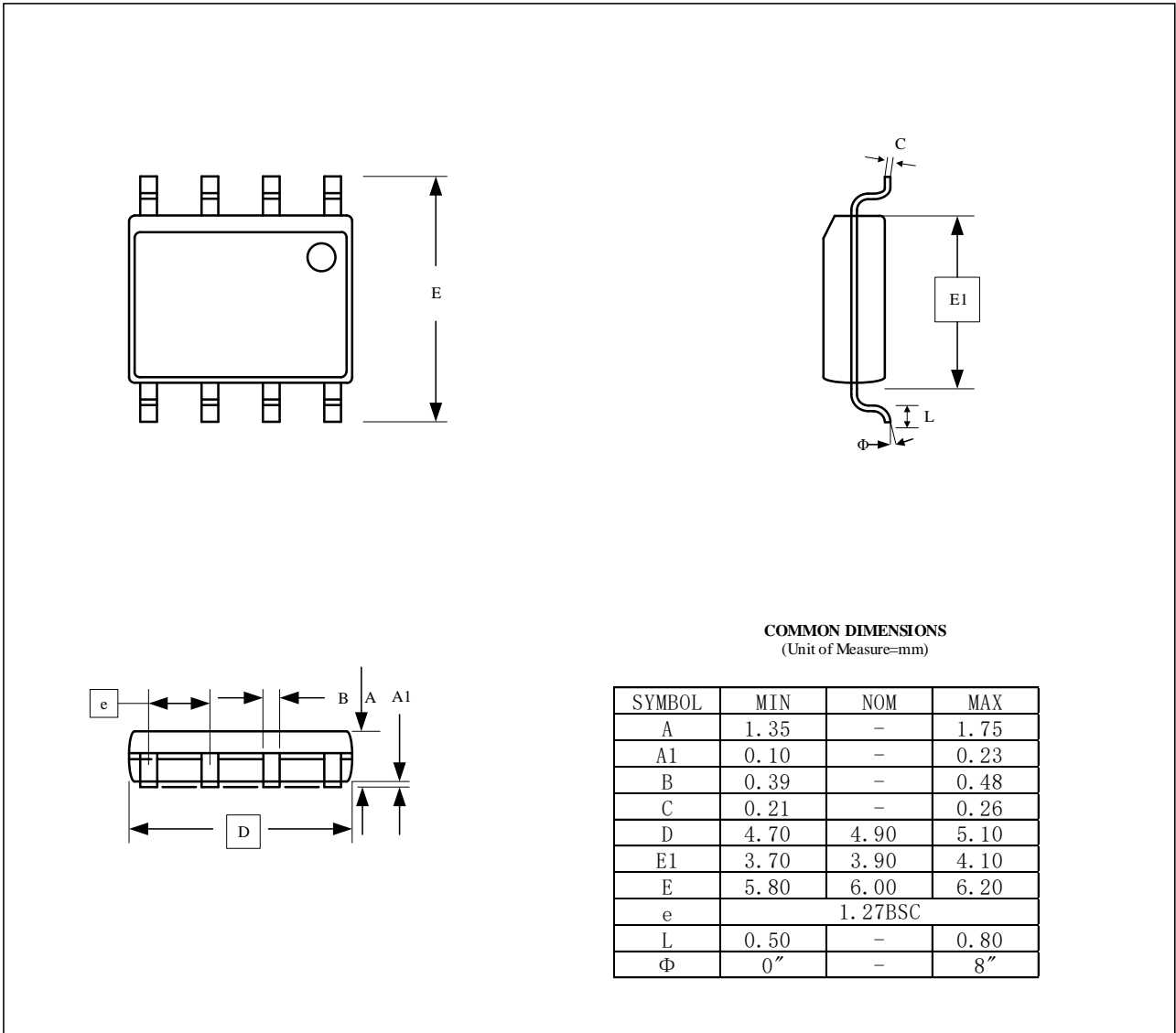


Figure 14

TSSOP

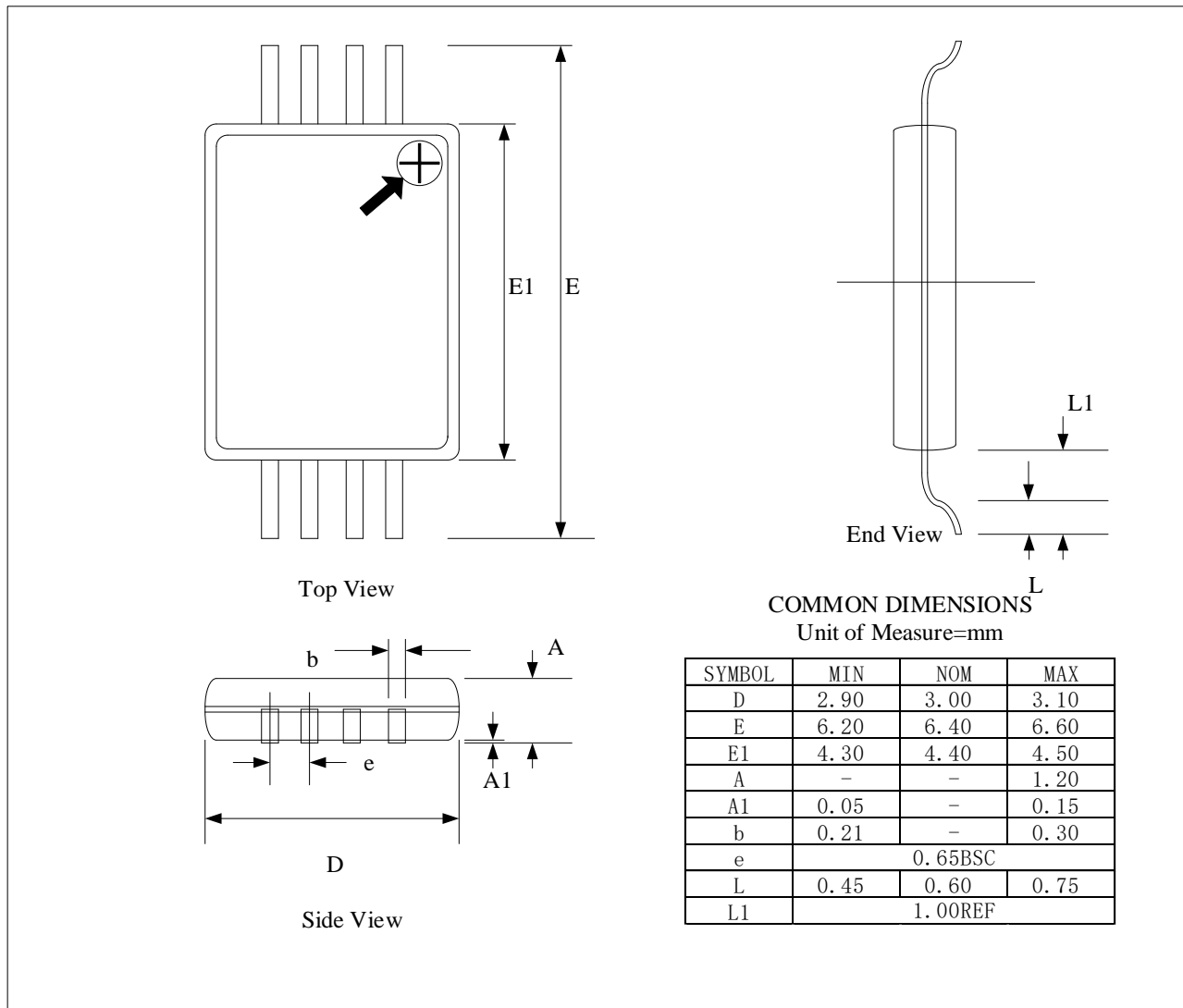


Figure 15

UDFN

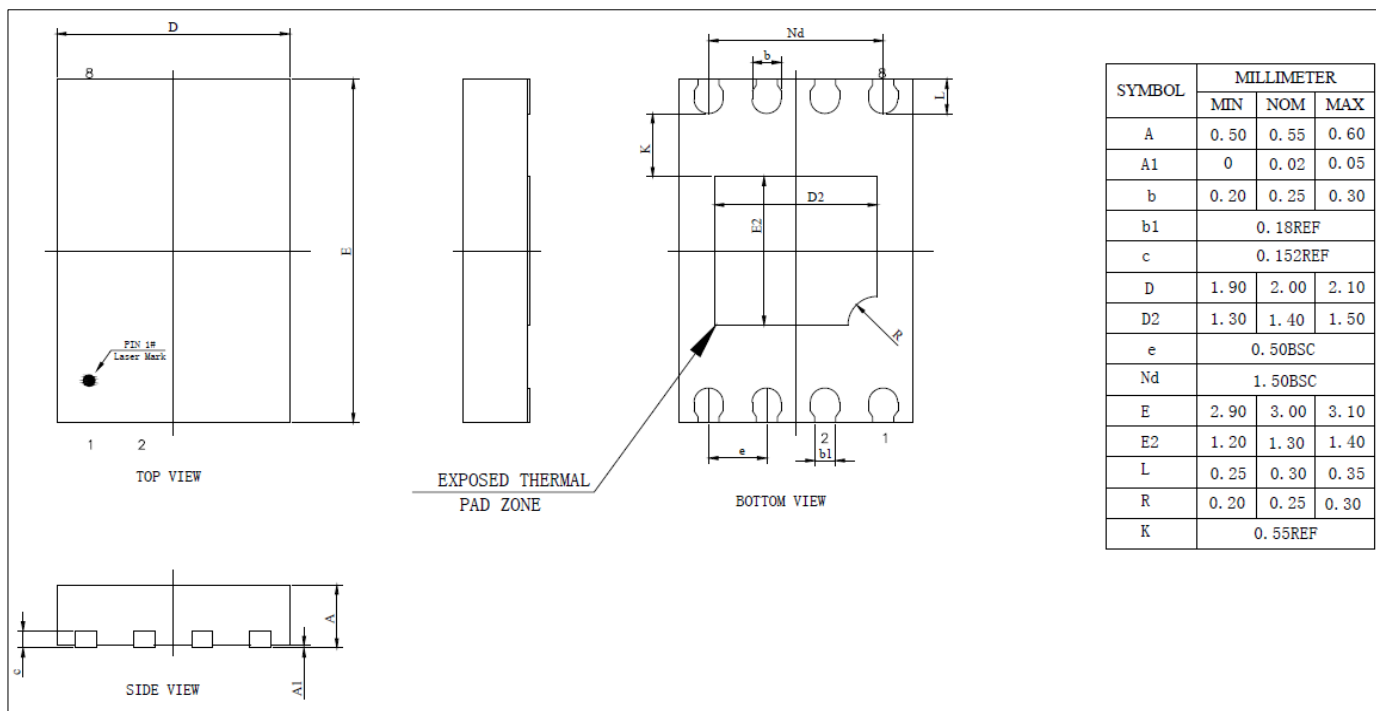


Figure 16

TSOT23-5

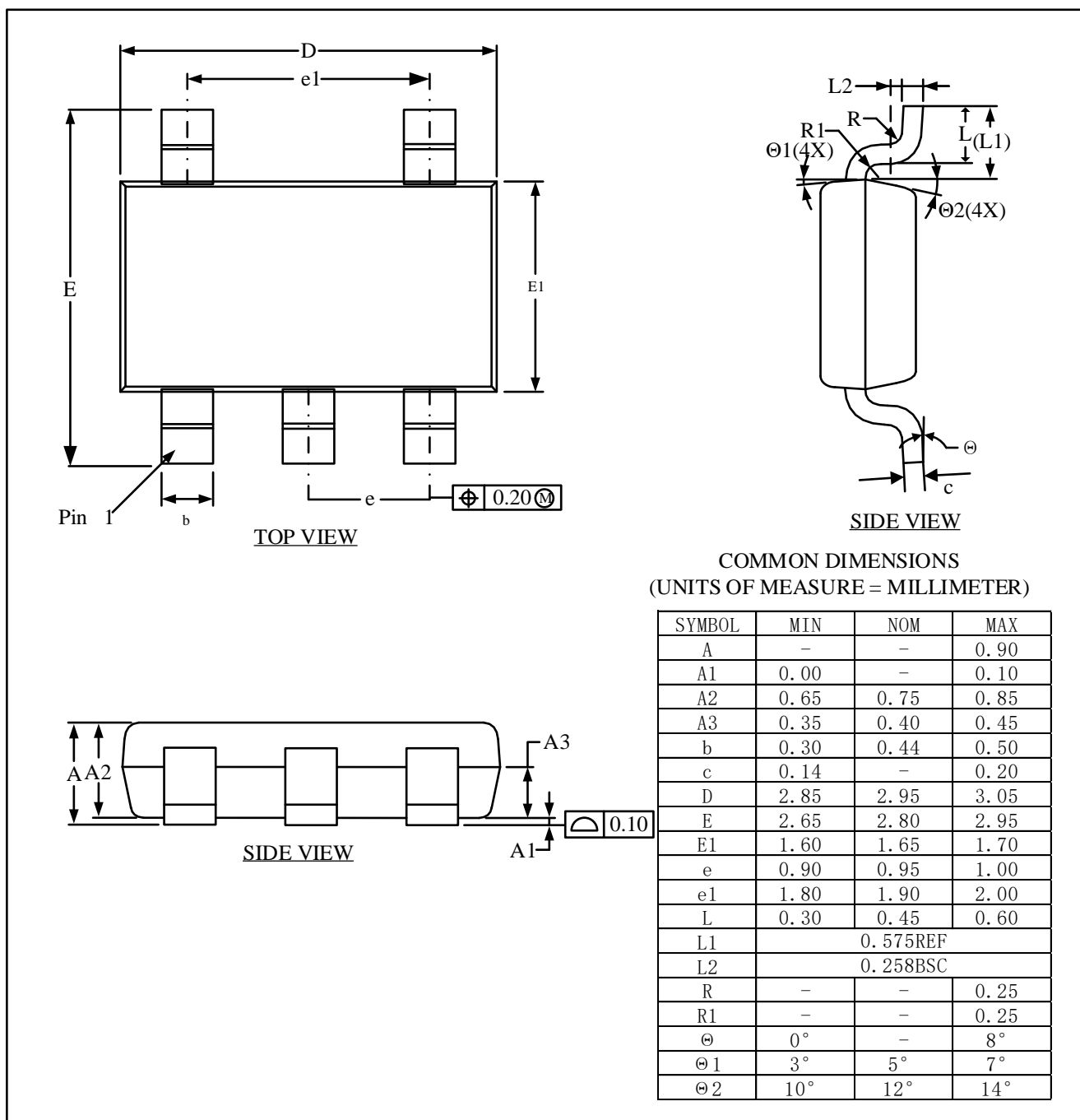
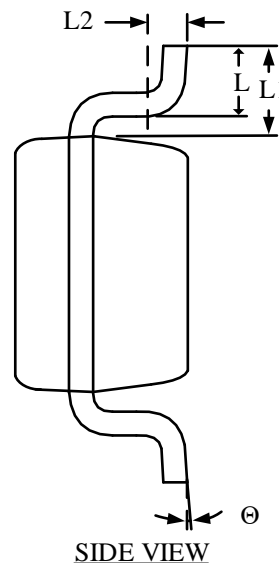
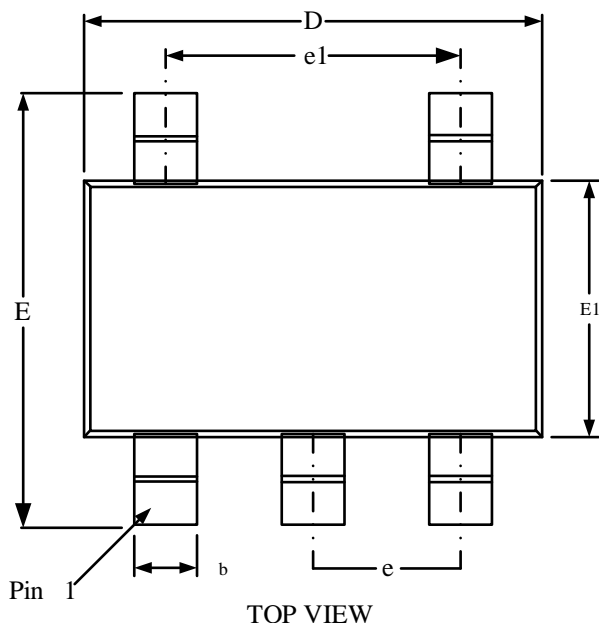
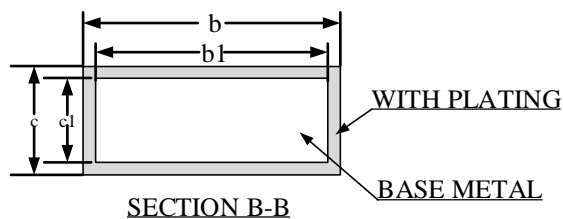
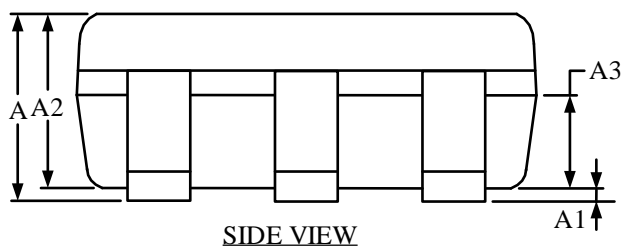


Figure 17

SOT23-5



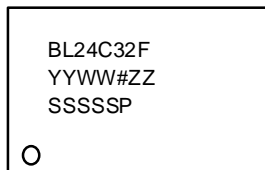
COMMON DIMENSIONS
(UNITS OF MEASURE = MILLIMETER)



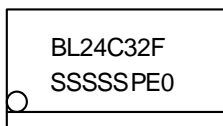
SYMBOL	MIN	NOM	MAX
A	-	-	1.35
A1	0.04	-	0.15
A2	1.00	1.10	1.20
A3	0.55	0.65	0.75
b	0.38	-	0.48
b1	0.37	0.40	0.43
c	0.11	-	0.21
c1	0.10	0.13	0.16
D	2.72	2.92	3.12
E	2.60	2.80	3.00
E1	1.40	1.60	1.80
e	0.95BSC		
e1	1.90BSC		
L	0.30	-	0.60
L1	0.575REF		
L2	0.258BSC		
Θ	0°	-	8°

Marking Diagram

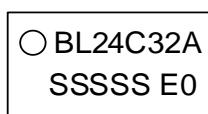
PDIP



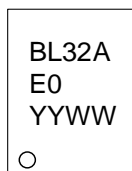
SOP



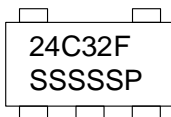
TSSOP



UDFN

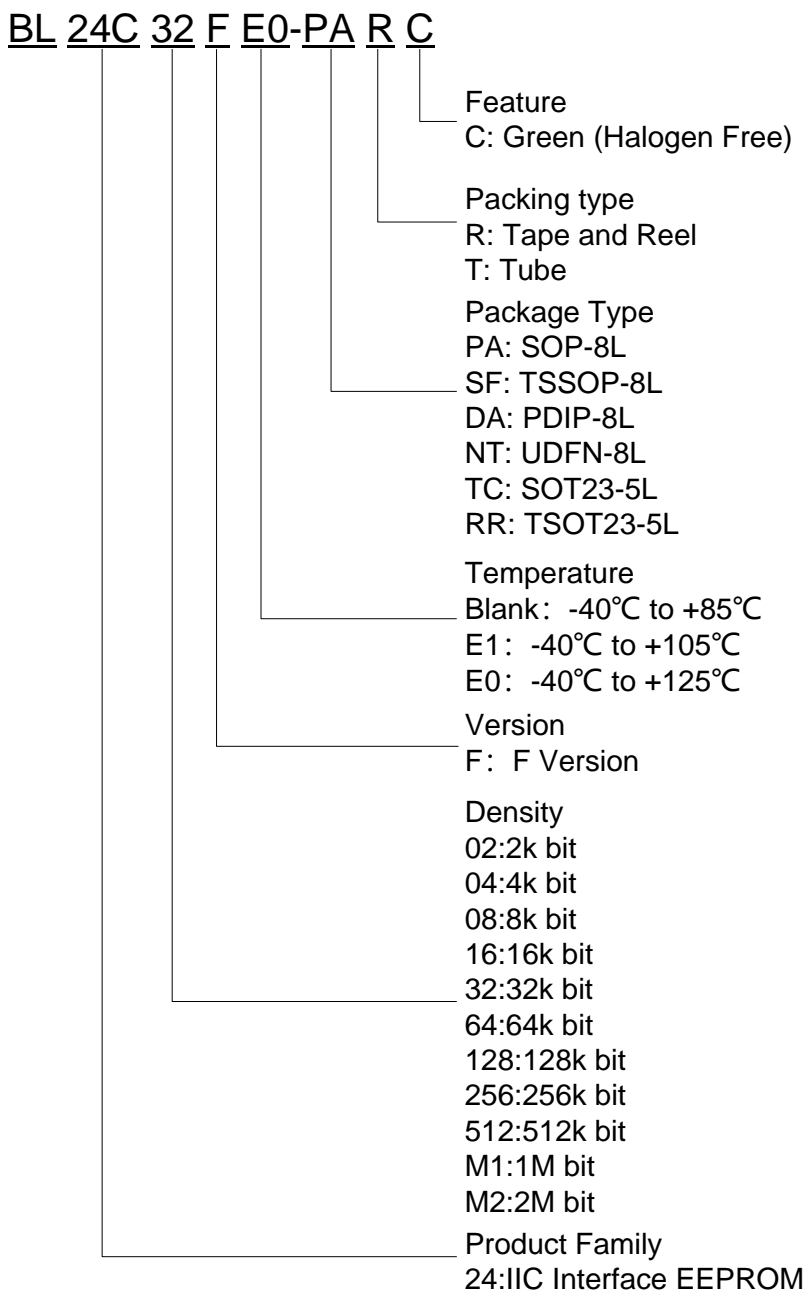


SOT23-5/TSOT23-5



YY	Year
WW	Week
ZZ	assembly house
SSSSS	Lot ID
E0	Blank: -40°C to +85°C E1: -40°C to +105°C E0: -40°C to +125°C
P(TSOT23-5/SOT23-5)	P: -40°C to +85°C 1: -40°C to +105°C 0: -40°C to +125°C

Ordering Information



Device	Package	Shipping (Qty/Packing)
BL24C32F	SOP8	2500/Tape &Reel
BL24C32F	TSSOP8L	3000/Tape &Reel
BL24C32F	UDFN	3000/Tape &Reel
BL24C32F	SOT23-5	3000/Tape &Reel
BL24C32F	TSOT23-5	3000/Tape &Reel

Revision history

Version 1.00 BL24C32F	
Initial Version	
Version 1.01 BL24C32F	9/3/2018
Add TSOT23-5 Package information Modify Text and Structure of documents	
Version 1.02 BL24C32F	12/9/2018
Add SOT23-5 Package Information Update Operating Ambient Temperature Range Information Update Ordering information	
Version 1.03 BL24C32F	5/23/2022
Update Marking Diagram Information	

X-ON Electronics

Largest Supplier of Electrical and Electronic Components

Click to view similar products for [EEPROM](#) category:

Click to view products by [Belling](#) manufacturer:

Other Similar products are found below :

[718278CB](#) [M24C64-WMN6](#) [AT28C256-15PU-ND](#) [444358RB](#) [444362FB](#) [BR93C46-WMN7TP](#) [EEROMH](#) [AT24C256BY7-YH-T](#)
[CAT25320YIGT-KK](#) [LE2464DXATBG](#) [CAS93C66VP2I-GT3](#) [CAT24S128C4UTR](#) [S-25C040A0I-I8T1U](#) [S-93S66A0S-J8T2UD](#)
[N21C21ASNDT3G](#) [S-93A66BD0A-K8T2U3](#) [BR25H128NUX-5ACTR](#) [BR24G512FVT-5AE2](#) [BR25H256FJ-5ACE2](#) [CAT24C512C8UTR](#)
[BR24G1MFVT-5AE2](#) [GT24C04A-2ZLI-TR](#) [M95160-DWDW4TP/K](#) [CAT24C16WE-GT3](#) [CAT24C512XI](#) [FT24C64A-ELR-T](#) [FT24C08A-](#)
[KLR-T](#) [AT24C02CM/TR](#) [AT24C256CM/TR](#) [AT24C02CM5/TR](#) [AT24C04M5/TR](#) [24C04-HXY](#) [24C32-HXY](#) [AT24C02](#) [24C02-HXY](#)
[AT24C16D](#) [AT24C64](#) [ZD24C02B-SSGMB](#) [ZD24C16A-XGMT](#) [ZD24C02B-STGMT](#) [ZD24C02B-XGMT](#) [BL24C16F-RRRC](#) [BL24C02F-](#)
[TCRC](#) [BL24C02F-SFRC](#) [FT24C02A-KNG-T](#) [FT24C32A-ELR-T](#) [FT24C02A-KLR-T](#) [FT24C64A-TLR-T](#) [HG24C256MM/TR](#)
[HG24C02CM5/TR](#)