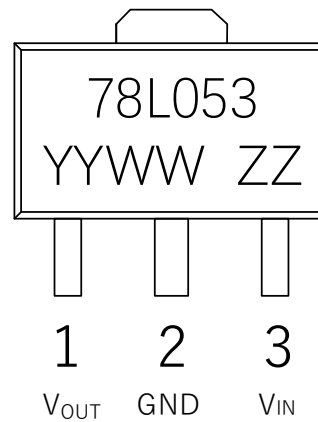


FEATURES

- Maximum Output Current: 0.1A
- Output Voltage: 5.35V
- Thermal Overload Protection
- 2% Output Voltage Accuracy
- SOT89-3L



PIN CONNECTION

- “YY” STANDS FOR THE ASSEMBLY YEAR.
- “WW” STANDS FOR THE ASSEMBLY WEEK
- “ZZ” STANDS FOR THE ASSEMBLY FACTORY.

Absolute Maximum Ratings (Ta=25°C)

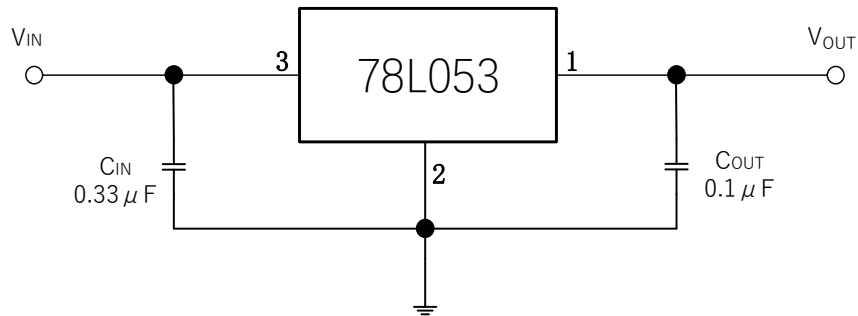
Characteristics	Symbol	Value	Unit
Input Voltage	V_i	42	V
Operating Junction Temperature Range	T_j	-40~+125	°C
Power Dissipation	P_d	750	mW
Operating Temperature Range	T_{opr}	-40~+85	°C
Storage Temperature Range	T_{stg}	-40~+150	°C

ELECTRICAL CHARACTERISTICS

(unless otherwise noted, $V_i=10V, I_o=40mA, -30 < T_j < 85^\circ C, C_1=0.33\mu F, C_o=0.1\mu F$) (Note1)

Characteristics	Test Conditions	Symbol	Min	Typ	Max	Unit
Output Voltage	$T_j=25^\circ C$	V_o	5.25	5.35	5.45	V
	$7.8V \leq V_i \leq 20V; I_o=1mA \sim 40mA$		5.15		5.55	V
	$7.8V \leq V_i \leq V_{max}; I_o=1mA \sim 70mA$		5.15		5.55	V
Load Regulation	$T_j=25^\circ C; I_o=1mA \sim 100mA$	ΔV_o		11	60	mV
	$T_j=25^\circ C; I_o=1mA \sim 40mA$			5	6	mV
Line Regulation	$T_j=25^\circ C; 7.5V \leq V_i \leq 20V$	ΔV_o		8	150	mV
	$T_j=25^\circ C; 8V \leq V_i \leq 20V$			6	100	mV
Quiescent Current		I_q		3	5.5	mA
Quiescent Current Change	$8V \leq V_i \leq 20V$	ΔI_q			1.5	mA
	$1mA \leq I_o \leq 40mA$				0.2	mA
Output Noise Voltage	$10Hz \leq f \leq 100kHz$	V_N		63		μV
Temperature Coefficient	$I_o=5mA$	$\Delta V_o / \Delta T$		0.65		mV/°C
Ripple Rejection	$10V \leq V_i \leq 20V; f=120Hz; T_j=25^\circ C$	RR	41	60		dB
Dropout Voltage	$T_j=25^\circ C$	V_d		2.5		V

APPLICATION CIRCUIT



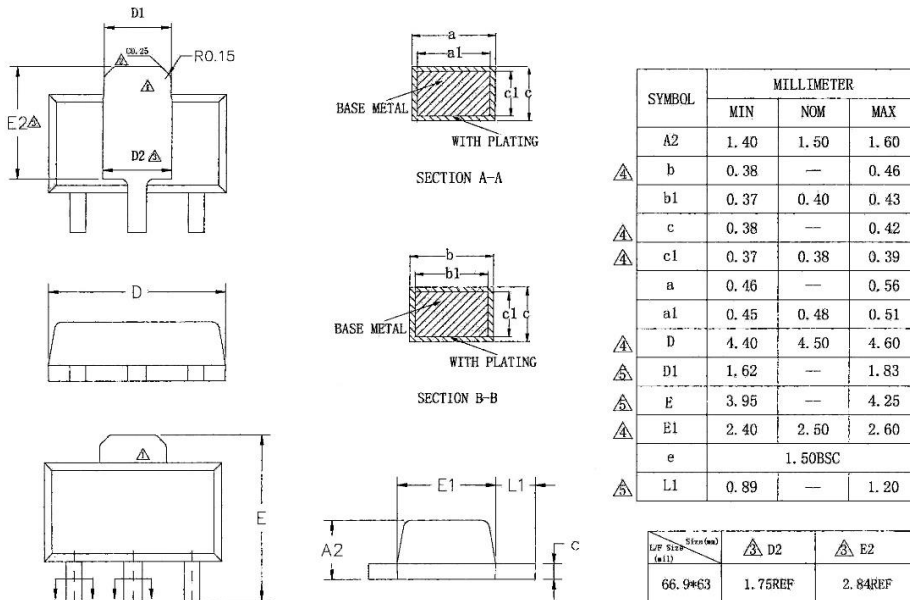
*Bypass capacitors are recommended for optimum stability and transient response and should be located as close as Possible to the regulators.

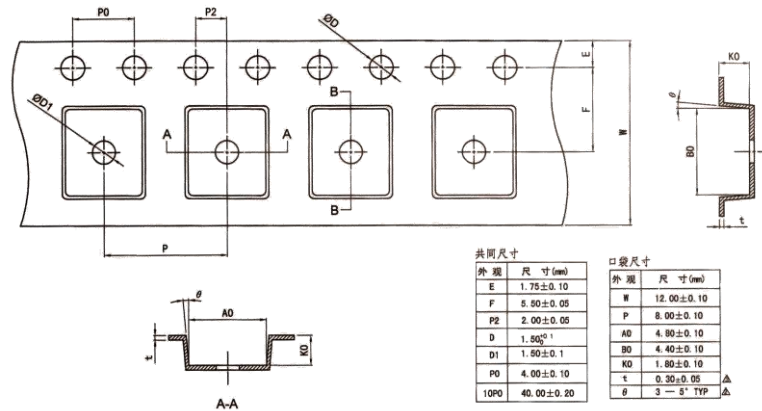
ORDER INFORMATION

1	BL78L053	SOT89-3L	Packaged by Tianshui Huatian Technology
2	BL78L053-P	SOT89-3L	Packaged by Wuxi Hongguang Electronic Limited

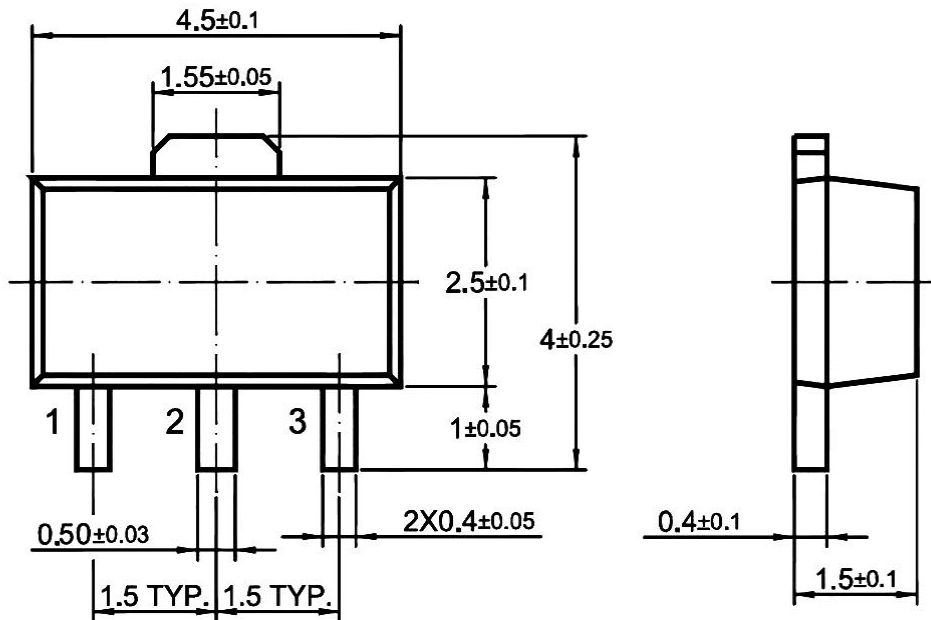
OUTLINEDRAWING & Tray information

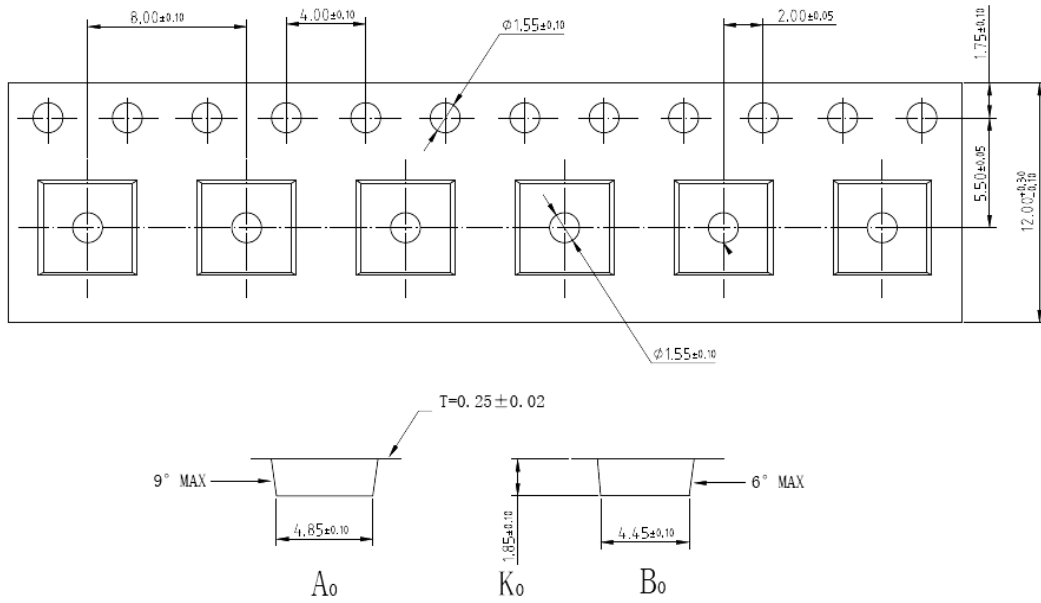
1. BL78L053 (SOT89-3L) Humidity sensitivity level : MSL 3





2.BL78L053-P (SOT89-3L) Humidity sensitivity level : MSL 1





Storage conditions and packaging

- Warranty period: Two Years
- Packing method: Tape
- Minimum packaging: 1000

X-ON Electronics

Largest Supplier of Electrical and Electronic Components

Click to view similar products for [Linear Voltage Regulators](#) category:

Click to view products by [Belling](#) manufacturer:

Other Similar products are found below :

[LV5684PVD-XH](#) [MCDTSA6-2R](#) [L7815ACV-DG](#) [LV56801P-E](#) [UA7805CKC](#) [714954EB](#) [ZMR500QFTA](#) [BA033LBSG2-TR](#)
[NCV78M05ABDTRKG](#) [LV5680P-E](#) [L79M05T-E](#) [L78LR05D-MA-E](#) [NCV317MBTG](#) [NTE7227](#) [MP2018GZD-33-P](#) [MP2018GZD-5-P](#)
[LV5680NPVC-XH](#) [ZTS6538SE](#) [UA78L09CLP](#) [UA78L09CLPR](#) [CAT6221-PPTD-GT3](#) [MC78M09CDTRK](#) [NCV51190MNTAG](#)
[BL1118CS8TR1833](#) [BL8563CKETR18](#) [BL8077CKETR33](#) [BL9153-33CC3TR](#) [BL9161G-15BADRN](#) [BL9161G-28BADRN](#)
[BRCO7530MMC](#) [CJ7815B-TFN-ARG](#) [LM317C](#) [GM7333K](#) [GM7350K](#) [XC6206P332MR](#) [HT7533](#) [LM7912S/TR](#) [LT1764S/TR](#) [LM7805T](#)
[LM338T](#) [LM1117IMP-3.3/TR](#) [HT1117AM-3.3](#) [HT7550S](#) [AMS1117-3.3](#) [HT7150S](#) [78L12](#) [HT7550](#) [HT7533-1](#) [HXY6206I-2.5](#) [HT7133](#)