

## 1A Ultra-Low Vin Low Dropout Voltage Linear Regulator

### GENERAL DESCRIPTION

BL8073 series are a group of positive voltage output, high precise, and low power consumption voltage regulator. Voltages are selectable in 100mV steps within a range of 1.2V to 5.0V. It also can be customized on command.

BL8073 series have excellent load and line transient response and good temperature characteristics, which can assure the stability of chip and power system. And it uses trimming technique to guarantee output voltage accuracy within  $\pm 2\%$ .

BL8073 series are available in SOT-23-5 package, which is lead (Pb)- free.

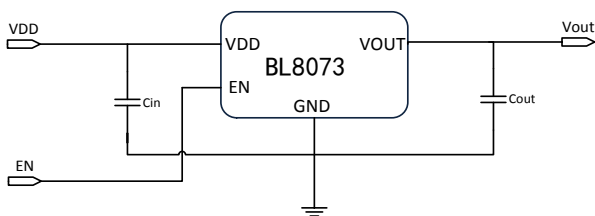
### FEATURES

- Low Quiescent Current: 100uA at 5V
- High PSRR: 65dB range to 1KHz
- Low Output Noise: 44uVRMS
- Low Dropout: 200mV@Iout=0.8A, Vout=3.3V
- Maximum output current: 1A
- Highly Accurate:  $\pm 2\%$
- Low ESR Ceramic Capacitor Compatible

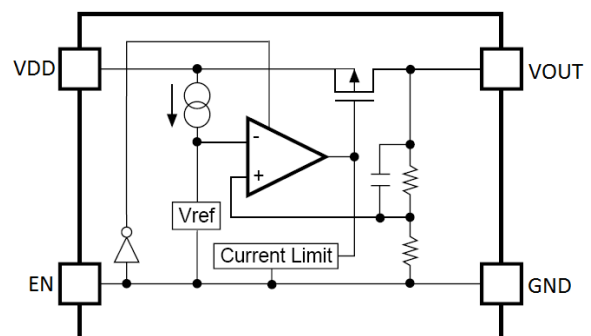
### APPLICATIONS

- Reference Voltage Source
- Battery Powered Equipment
- PC Peripherals
- Wireless Devices
- Instrumentation

### TYPICAL APPLICATION



### BLOCK DIAGRAM



## ORDERING INFORMATION

BL8073 ①②③④⑤

Code	Description
①	Temperature&Rohs: C:-40~85°C ,Pb Free Rohs Std.
②	Package type: B5:SOT-23-5
③	Packing type: TR:Tape&Reel (Standard)
④	Output voltage: e.g. 12=1.2V 18=1.8V 25=2.5V 33=3.3V 50=5.0V
⑤	Voltage accuracy: 1=±1%(Customized) Blank(default)=±2%

## MARKING DESCRIPTON

Output Voltage Code X

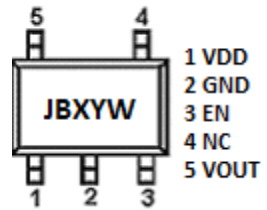
VOUT	Code	VOUT	Code	VOUT	Code
1.2V	2	2.9V	9	4.3V	3
1.3V	3	3.0V	0	4.4V	4
1.4V	4	3.1V	1	4.5V	5
1.5V	5	3.2V	2	4.6V	6
1.8V	8	3.3V	3	4.7V	7
2.0V	0	3.4V	4	4.8V	8
2.1V	1	3.5V	5	4.9V	9
2.2V	2	3.6V	6	5.0V	0
2.3V	3	3.7V	7	5.1V	1
2.4V	4	3.8V	8	5.2V	2
2.5V	5	3.9V	9	5.3V	3
2.6V	6	4.0V	0	5.4V	4
2.7V	7	4.1V	1	5.5V	5
2.8V	8	4.2V	2		

XX: Output Voltage, e.g. 18=1.8V 33=3.3V

Y: The Year of manufacturing, "1" stands for year 2011, "2" stands for year 2012, and "8" stands for year 2018.

W: The week of manufacturing. "A" stands for week 1, "Z" stands for week 26, "A" stands for week 27, "Z" stands for week 52.

## PIN CONFIGURATION

Product Classification		BL8073CB5TR□□
JBXYW	JB:Product Code	
	X:Output Voltage	
	YW:Date Code	
VDD	Supply Voltage Input	
GND	Ground Pin	
EN	Chip Enable	
NC	No Connection	
VOUT	Output Voltage	

## ABSOLUTE MAXIMUM RATING

Parameter	Value
Max Input Voltage	8V
Max Operating Junction Temperature (T <sub>J</sub> )	145°C
Ambient Temperature (T <sub>A</sub> )	-40°C~85°C
Power Dissipation	SOT-23-5 250mW
Storage Temperature (T <sub>S</sub> )	-40°C~150°C
Lead Temperature & Time	260°C, 10 Sec

## RECOMMENDED WORK CONDITIONS

Parameter	Value
Input Voltage Range	Max. 6V
Ambient Temperature	-40°C~85°C
Operating Junction Temperature (T <sub>J</sub> )	125°C

## ELECTRICAL CHARACTERISTICS

Test Conditions:  $C_{IN}=4.7\mu F, C_{OUT}=4.7\mu F, T_A=25^\circ C$ , unless otherwise specified.

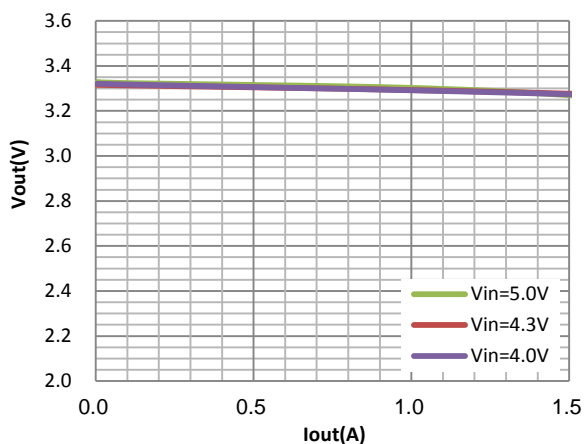
Symbol	Parameter	Conditions	Min	Typ	Max	Units
$V_{DD}$	Input Voltage		1.5*		6	V
$V_{OUT}$	Output Voltage	$V_{OUT}>1.5$	$V_{DD}=\text{Set } V_{OUT}+1V$	$V_{OUT}$	$V_{OUT} \times 1.02$	V
		$V_{OUT} \leq 1.5$	$1mA \leq I_{OUT} \leq 10mA$		$V_{OUT} - 0.03$	
$I_{OUT} \text{ (Max.)}^{**}$	Maximum Output Current	$V_{DD}-V_{OUT}=1V$	1			A
$V_{DROD}$	Dropout Voltage	$V_{OUT}=3.3V, I_{OUT}=1A$		300	500	mV
$\frac{\Delta V_{out}}{\Delta V_{in} \cdot V_{out}}$	Line Regulation	$I_{OUT}=10mA, 4V \leq V_{DD} \leq 6V$		0.05	0.2	%/V
$\Delta V_{out}$	Load Regulation	$V_{DD}=\text{Set } V_{OUT}+1V$ $1mA \leq I_{OUT} \leq 2.5A$		30	60	mV
$I_s$	Supply Current	$V_{DD}=\text{Set } V_{OUT}+1V, V_{OUT}$ Floating		100	150	$\mu A$
$\frac{\Delta V_{out}}{\Delta T \cdot V_{out}}$	Output Voltage Temperature Coefficient	$I_{OUT}=10mA$		$\pm 100$		ppm/ $^\circ C$
PSRR	Ripple Rejection	$f=100Hz, \text{Ripple}=0.5Vp-p,$ $V_{DD}=\text{Set } V_{OUT}+1V$		65		dB
$V_{enh}$	EN Input Voltage "H"		0.95		$V_{in}$	V
$V_{enl}$	EN Input Voltage "L"		0		0.25	V
en	Output Noise	$BW=10Hz \sim 100KHz$		44		$\mu V_{rms}$

**Note:** \* $I_{out}=350mA @ V_{in}=1.5V, V_{out}=1.2V$

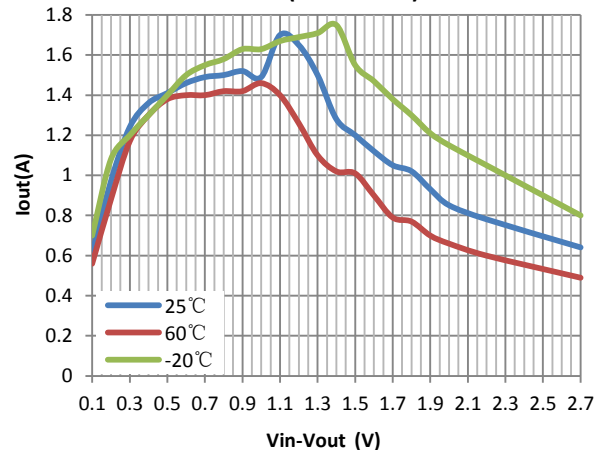
\*\*The maximum power rating of each package is a constant, so along with the change of  $I_{LOAD}$ , the  $V_{DD}-V_{OUT}$  should be controlled to a certain range to ensure the normal operation.

## TYPICAL PERFORMANCE CHARACTERISTICS

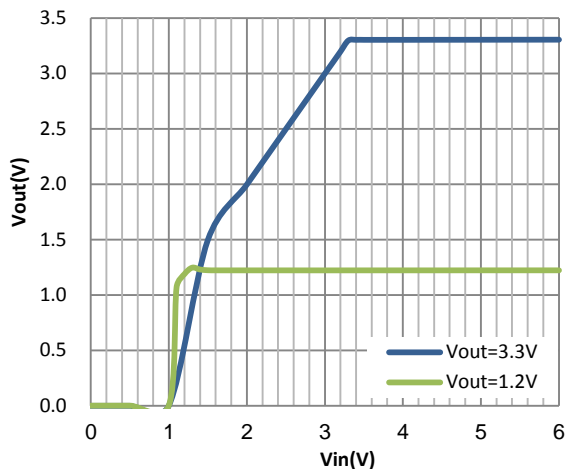
**Load Regulation**  
( $V_{out}=3.3V$ )



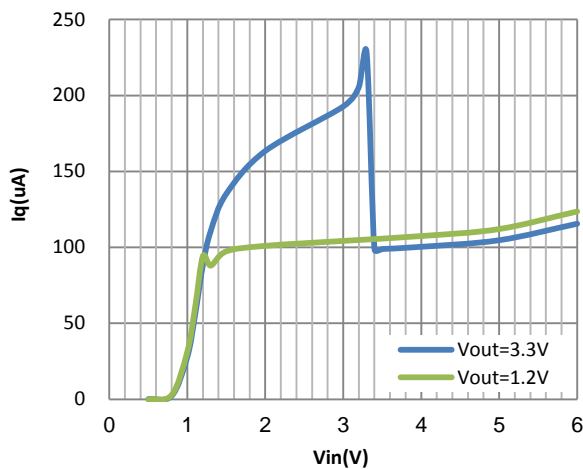
**Safe Operation Area**  
( $V_{out}=3.3V$ )



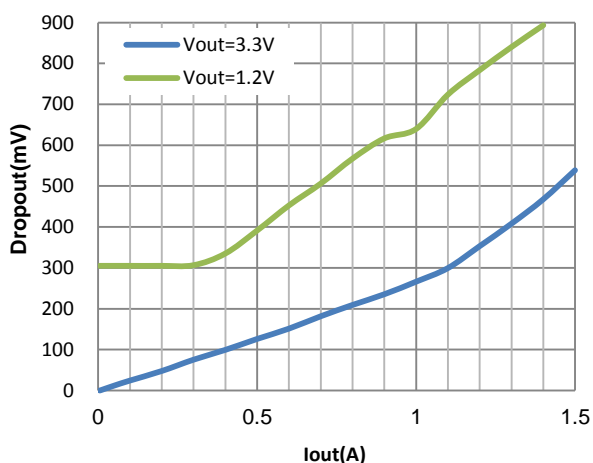
### Line Regulation



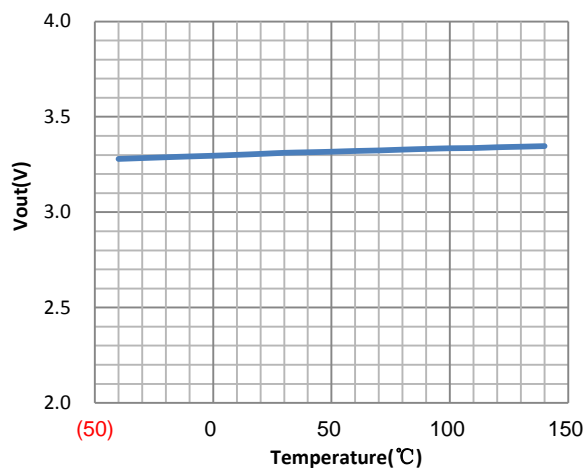
### Iq



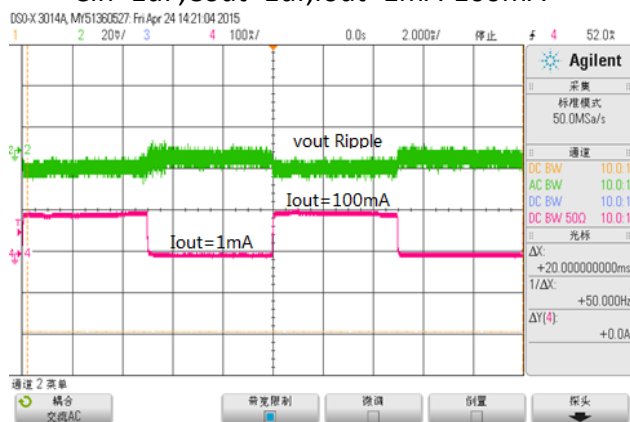
### Dropout Voltage



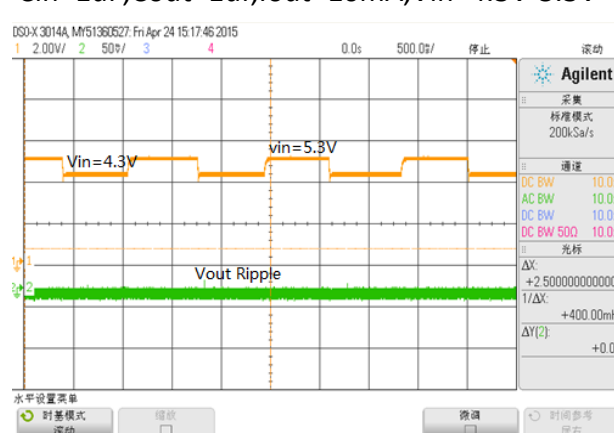
### Vout vs. Temperature



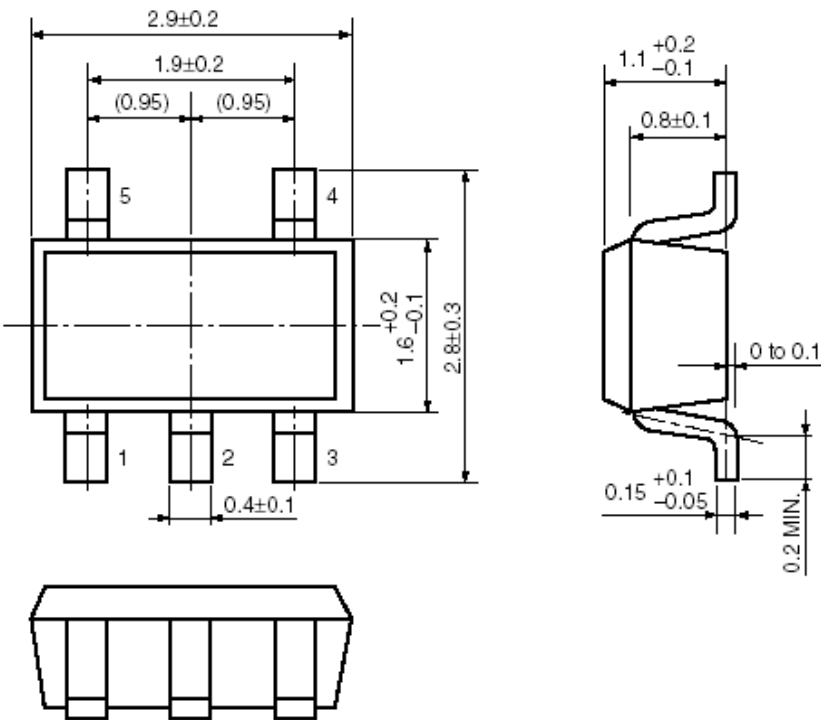
### Load Transient Response (Vin=5V, Vout=3.3V) Cin=1uF, Cout=1uF, Iout=1mA-100mA



### Line Transient Response (Vin=5V, Vout=3.3V) Cin=1uF, Cout=1uF, Iout=10mA, Vin=4.3V-5.3V



## PACKAGE LINE

Package	SOT-23-5	Devices per reel	3000Pcs	Unit	mm
Package Dimension:  <p>             The technical drawing illustrates the SOT-23-5 package dimensions. The top view shows a total width of <math>2.9 \pm 0.2</math> mm, with a central width of <math>1.9 \pm 0.2</math> mm. The distance between the two inner leads is <math>0.95</math> mm, and the distance between the two outer leads is <math>0.4 \pm 0.1</math> mm. The lead height is <math>1.6 \pm 0.2</math> mm, and the total package height is <math>2.8 \pm 0.3</math> mm. The side view shows a lead width of <math>1.1 \pm 0.2</math> mm, a lead thickness of <math>0.8 \pm 0.1</math> mm, and a lead angle of <math>0</math> to <math>0.1</math> degrees. The lead length is <math>0.15 \pm 0.1</math> mm, with a minimum length of <math>0.2</math> mm. The perspective view shows the package from an isometric angle.           </p>					

## X-ON Electronics

Largest Supplier of Electrical and Electronic Components

*Click to view similar products for [Linear Voltage Regulators](#) category:*

*Click to view products by [Belling](#) manufacturer:*

Other Similar products are found below :

[LV56831P-E](#) [LV5684PVD-XH](#) [MCDTSA6-2R](#) [L7815ACV-DG](#) [PQ3DZ53U](#) [LV56801P-E](#) [TLE42794G](#) [L78L05CZ/1SX](#) [L78LR05DL-MA-E](#) [636416C](#) [714954EB](#) [ZMR500QFTA](#) [LV5680P-E](#) [L78M15CV-DG](#) [L79M05T-E](#) [TLS202A1MBVHTSA1](#) [L78LR05D-MA-E](#) [NCV317MBTG](#) [NTE7227](#) [MP2018GZD-33-P](#) [MP2018GZD-5-P](#) [LV5680NPVC-XH](#) [LT1054CN8](#) [MP2018GZD-5-Z](#) [MP2018GZD-33-Z](#) [AT55EL50ESE](#) [APL5934DKAI-TRG](#) [78L05U](#) [78L05](#) [CL9193A15L5M](#) [CL9036A30F4M](#) [CL9036A18F4M](#) [CL9036A25F4M](#) [CL9036A28F4M](#) [CL9036A33F4M](#) [CL9906A18F4N](#) [CL9906A30F4N](#) [CL9908A30F4M](#) [CL9908A33F4M](#) [CL9908A18F4M](#) [CL9908A28F4M](#) [TL431ACM/TR](#) [TL431AIM/TR](#) [LM78L05ACM/TR](#) [HT7812ARMZ](#) [HT7805ARMZ](#) [HT317LRHZ](#) [HXY6206I-3.0](#) [HXY6206I-3.3](#) [XC6206P252MR](#) [XC6206P282MR](#)