

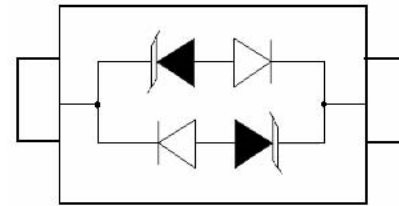
Transient Voltage Suppressor

Version: A1 2016-08-15

Features

- IEC 61000-4-2(ESD)±15KV(air), ±8KV(contact)
- 150Watts peak pulse power (tp=8/20µS)
- Ultra low capacitance: 1.5pF maximum
- Low clamping voltage
- Moisture sensitivity level: Level 1
- Weight 5.0 mg
- Small package: SOD-323

Exterior




SOD-323

Application Information

- xDSL secondary
- Ethernet

Agency Approvals

Icon	Description
RoHS	Compliance with 2011/65/EU
HF	Compliance with IEC61249-2-21:2003
	Mean lead free

Part Number and Electrical Parameter

Part Number	I _{DRM} @V _{DRM}		V _{BR} ^① @I _R		V _c @I _{pp} ^②		V _c @I _{pp} ^②		Co ^③
	µA	V	V	mA	V	A	V	A	pF
	MAX		MIN		MAX		MAX		MAX
BV03C	20	3	4	1	5.15	1	13.9	8	1.5

Absolute maximum ratings measured at T= 25°C RH = 45%-75% (unless otherwise noted).

- ① V_{BR} is measured at I_R=1mA
- ② Surge Waveform: 8/20 µ S.
- ③ Off-state capacitance is measured in V_{DC}=0V, V_{RMS}=1V, f=1MHz

Part Numbering System

BV 03 C
(1) (2) (3)

- (1) Bencent Transient Voltage Suppressor
- (2) Stand-state Voltage, e.g. 03=3V
- (3) Bidirectional polar

Mark



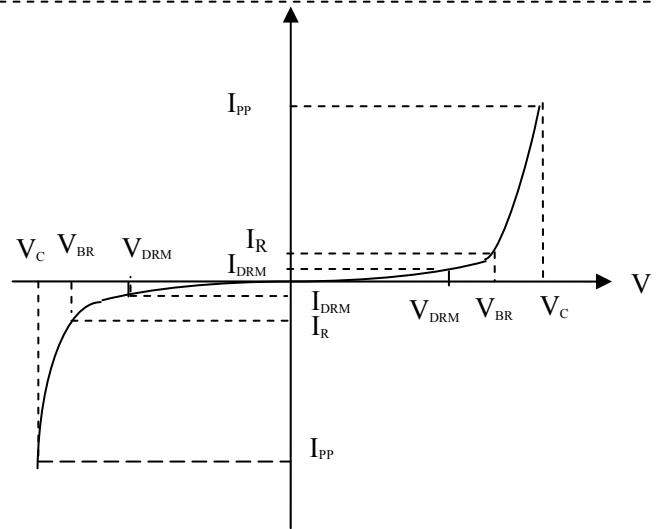
CC: Part Number

Transient Voltage Suppressor

Version: A1 2016-08-15

V-I Curve

Parameters	Definition
V_C	Clamping Voltage
I_{PP}	Surge Waveform 8/20 μ s
V_{DRM}	Stand-off Voltage
V_{BR}	Breakdown Voltage
I_{DRM}	Reverse Leakage Current
I_R	Test Current
P_{pp}	Peak Pulse Power Dissipation



Thermal Considerations

symbol	Parameter	Value	Unit
T_j	Operating Junction Temperature Range	-55 to +150	$^{\circ}$ C
T_s	Storage Temperature Range	-55 to +150	$^{\circ}$ C

Environmental Characteristics

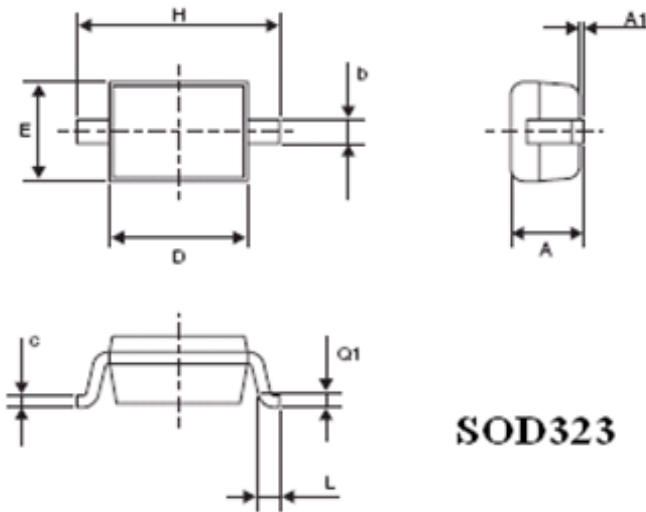
Testing items	Technical standards
High Temperature Reverse Bias Test	Temperature: $150 \pm 3^{\circ}$ C Bias= $80\%V_{DRM}$ Time:168H
High Temperature Life Test	Temperature: 150° C Time:168H
High-low Temperature Cycle Test	Temperature: From -40° C to 125° C Dwell time : 30min,10cycles
High Temperature &High Humidity Test	Temperature: 85° C Humidity:85% Time:168H
Pressure Cooker Test	Temperature: 121° C , 2atm. Humidity:100% Time:24H
Resistance of Soldering Heat	Temperature: $260 \pm 5^{\circ}$ C Time of dip soldering: 10s, 3times

Note: The above testing items can be specified by customer's special request

Transient Voltage Suppressor

Version: A1 2016-08-15

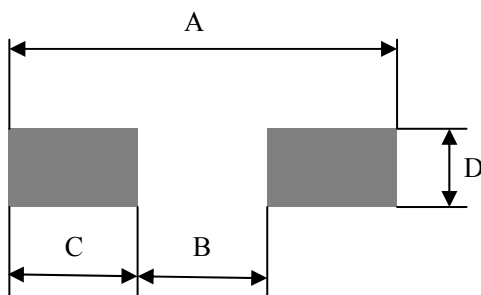
Product Dimensions



SOD323

REF	mm	inch
A	1.17(max)	0.046(max)
A1	0.10(max)	0.004(max)
b	0.34±0.10	0.013±0.0039
c	0.17±0.08	0.007±0.0032
D	1.66±0.14	0.065±0.0055
E	1.28±0.17	0.050±0.0066
H	2.5±0.2	0.098±0.0079
L	0.28±0.18	0.011±0.0071
Q1	0.25±0.15	0.010±0.0059

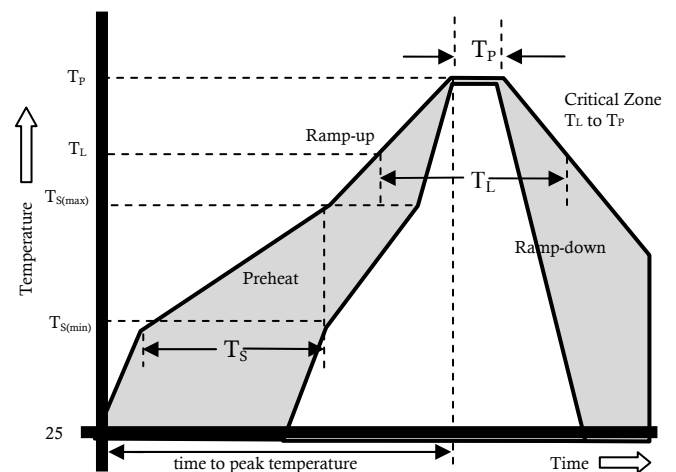
Recommended Soldering Pad



REF	mm	inch
A	3.20	0.126
B	1.08	0.043
C	1.06	0.042
D	0.54	0.021

Reflow Profile

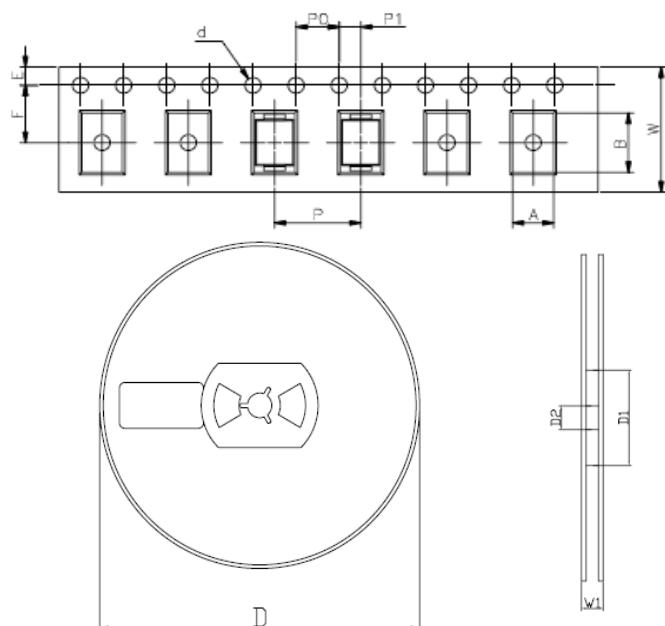
Reflow Condition		Pb-Free assembly
Pre Heat	Temperature Min	150°C
	Temperature Max	200°C
	Time (min to max)	60 – 180 secs
Average ramp up rate (Liquidus) T _{amp} (T _L) to peak		3°C/s max
T _{S(max)} to T _L - Ramp-up Rate		3°C/s max
Reflow	- Temperature (T _L) (Liquidus)	217°C
	- Temperature (T _L)	60 – 150 secs
Peak Temperature (T _P)		260+0/-5 °C
Time within 5°C of actual peak Temperature (T _P)		30secs
Ramp-down Rate		6°C/s max
Time 25°C to peak Temperature (T _P)		8 min max.
Do not exceed		260°C



Transient Voltage Suppressor

Version: A1 2016-08-15

Package Reel Information



REF	mm	inch
A	1.46+/-0.1	0.057+/-0.004
B	3.10+/-0.3	0.122+/-0.012
d	1.50+/-0.1	0.059+/-0.004
D	178+/-1.0	7.008+/-0.039
D1	55+/-3	2.165+/-0.118
D2	13+/-0.5	0.512+/-0.020
E	1.75+/-0.1	0.069+/-0.004
F	3.5+/-0.2	0.138+/-0.008
P	4.0+/-0.2	0.157+/-0.008
P0	4.0+/-0.2	0.157+/-0.008
P1	2.0+/-0.2	0.079+/-0.008
W	8.0+/-0.2	0.315+/-0.008
W1	12.3+/-1.0	0.484+/-0.039

OUTLINE	REEL (PCS)	PER CARTON (PCS)	REEL DIAMETERS (mm)	CARTON SIZE(mm)		
				L	W	H
TAPING	3,000	90,000	177	390	370	220

X-ON Electronics

Largest Supplier of Electrical and Electronic Components

Click to view similar products for [ESD Suppressors / TVS Diodes](#) category:

Click to view products by [Bencent](#) manufacturer:

Other Similar products are found below :

[NTE4902](#) [P4SMAJ15A](#) [P4SMAJ26A](#) [SMAJ400CA-TP](#) [TGL34-47CA](#) [ESDAULC45-1BF4](#) [SM1605E3/TR13](#) [SMF20A-TP](#) [P4SMAJ12A](#)
[CPDUR24V-HF](#) [CPDQC5V0USP-HF](#) [CPDQC5V0-HF](#) [MPLAD30KP45CAE3](#) [MMBZ27VCLQ-7-F](#) [MMAD1108/TR13](#) [MPLAD30KP24A](#)
[ACPDQC5V0R-HF](#) [DFLT170A-7](#) [NTE4900](#) [NTE4926](#) [NTE4938](#) [SMF22A-TP](#) [SMF12A-TP](#) [SLVU2.8-TP](#) [SMLJ6.5CA-TP](#) [SMAJ6.5CA-](#)
[TP](#) [MMAD1108E3/TR13](#) [D5V0M1U2LP3-7](#) [SMAJ400A-TP](#) [AOZ8811DT-03](#) [AOZ8831DI-05](#) [AOZ8831DT-03](#) [SMAJ188CA](#) [3SMC33CA](#)
[BK](#) [CPDQC3V3C-HF](#) [CPDQC12VE-HF](#) [MPLAD30KP170CA](#) [82357120100](#) [5.0SMLJ15CA-TP](#) [5KP18A-TP](#) [P6KE8.2A-TP](#)
[MPLAD30KP43CAE3](#) [SMAJ43A-TP](#) [D5V0F6U8LP33-7](#) [TVS5501V10MUT5G](#) [5.0SMLJ24CA-TP](#) [SMAJ110CA-TP](#) [MPLAD15KP75CAE3](#)
[MMAD1103e3/TR13](#) [DFLT40AQ-7](#)