

TF03-ANALOGVERSION is an industrial-grade long-range LiDAR. Its maximum detection range can reach 100m. With integrated compensating algorithm for outdoor glare and other interference, TF03-ANALOGVERSION can work under strong light environment and rain, fog and snow conditions¹. Multiple built-in operating modes let customers to change its parameters and configuration to meet different applications.



Main product features

- High frame rate
- IP67 protection
- Small size

Main application scenarios

- Vehicle collision avoidance and safety warning
- Traffic flow statistics
- Camera trigger

SPECIFICATIONS

Parameters		100M	180M
Product performance	Operating range (Indoor)	0.1-100m@90% reflectivity 0.1-40m@10% reflectivity	
	Operating range (Outdoor @ 100Klux)	0.1-80m@90% reflectivity&100Klux 0.1-30m@10% reflectivity&100Klux	
	Detecting Accuracy	±10cm (within 10m), 1% (10m and further) ²	
	Output Accuracy	0.1mA	
	Distance resolution	1cm	
	Frame rate	1Hz~1000Hz adjustable (default 100Hz)	
	Repeatability	1σ: <3cm	
	Ambient light immunity	100Klux	
	Operation temperature	-25~60°C	
	Enclosure rating	IP67	
Optical parameters	Light source	LD	
	Central wavelength	905nm	
	Photobiological safety	Class1 (EN60825)	
	FOV	0.5° ³	
Electrical	Supply voltage	5V~24V	

¹ Rain, snow and fog conditions generally refer to moderate rain, snow and below. Moderate rainfall < 25mm/24h or < 7.9mm/h

² The detection range is measured at temperature of 25°C. Accuracy and repeatability are measured with white board (90% reflectivity).

³ FOV, field of view, consists of vertical angle and horizontal angle.

parameters	Average current	≤150mA @ 5V, ≤80mA @ 12V, ≤50mA @ 24V
	Power consumption	≤1W
	Communication interface	Analog Signals (Current)
Others	Dimension	44mm*43mm*32mm(L*W*H)
	Enclosure material	Aluminum alloy
	Storage temperature	-40~85°C
	Weight	92g±3g
	Cable length	70cm

■ DIMENSIONS

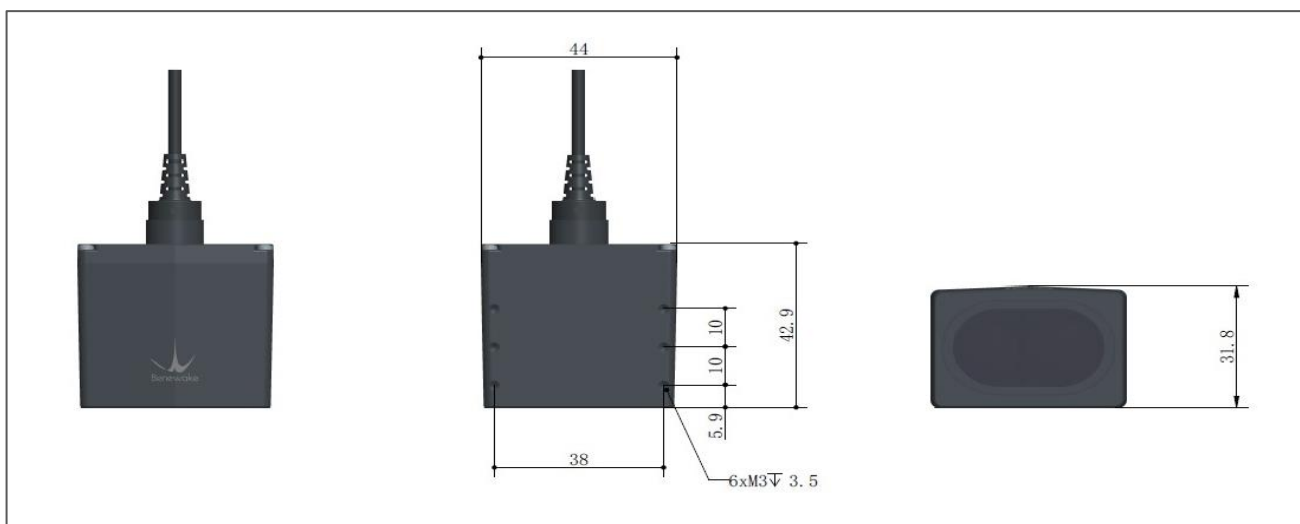


Figure 1 TF03-ANALOGVERSION dimensions (Left 1: top view; Left 2: upward view; Left 3: front view) Unit: mm

■ CONFIGURABLE PARAMETERS

Table 1 Configurable parameters example

Configurable parameters	Description	Default setting
Frame rate	Output frame rate could be configured by related command, range 1~1000Hz	100Hz
Baud rate	Serial port baud rate could be customized	/
Restore default	TF03-ANALOGVERSION can be restored to the factory settings	/
Save configuration	After defining the configuration parameters, you can send the corresponding command to choose to save the configuration permanently	/

Note: for more configurable parameters and instructions, please refer to the user manual.

■ WIRING

The connector of TF03 is Molex 1.25 W/B SD-51021-0700.

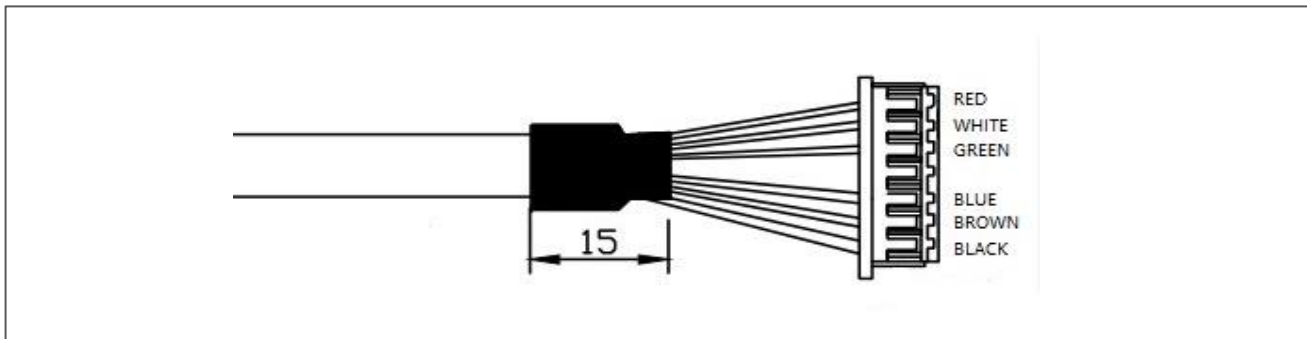


Figure 2 Wiring of new version TF03-ANALOGVERSION

Below is new version TF03's pin definition and function description.

No.	Color	Description	
		PIN definition	Function
1	Red	VCC	Power supply
2	White	/	/
3	Green	Analog Signals (Current)	4~20mA
4	/	/	/
5	Blue	UART_RX	UART receive(debug) ⁴
6	Brown	UART_TX	UART transport(debug)
7	Black	GND	Ground

■ CERTIFICATIONS



Benewake (Beijing) Co., Ltd

Address: No.28, information road, Haidian District, Beijing

Phone: +86 010 5745 6983

Email: bw@benewake.com

Technical support: support@benewake.com

⁴ The UART interface of TF03-100 RS485 version is debugging interface. It cannot be used to read detection data.

X-ON Electronics

Largest Supplier of Electrical and Electronic Components

Click to view similar products for [Distance Sensor Modules](#) category:

Click to view products by [Benewake](#) manufacturer:

Other Similar products are found below :

[1137 LC-LMD-635-03-01-A](#) [LC-LMD-650-02-01-A](#) [LC-LMD-650-02-03-A](#) [LC-LMD-650-03-01-A](#) [SEN0238](#) [TR-ONE-AS](#) [LC-LMD-635-02-03-A](#) [LC-LMD-635-03-03-A](#) [28995](#) [TMF8801-1B](#) [TF03-100 420ma](#) [TF03-180 420ma](#) [LC-LMD-650-03-03-A](#) [28015](#) [28041](#) [28058](#) [101990388](#) [102991312](#) [110991066](#) [114992561](#) [VL53L0CXV0DH/1](#) [CTANK-A711](#) [SEN0152](#) [CE30-D](#) [TF02 Pro Uart](#) [TF03-100 Uart](#) [TF03-100 RS232/RS485](#) [TF03-180 RS232/RS485](#) [TF03-180 Uart](#) [TF350 Uart](#) [TF40 Uart](#) [TFmini Plus Uart](#) [TFmini Plus I2C](#) [TFmini Plus Uart Indoor version](#) [TFmini S I2C](#) [SEN0337](#) [CTANK-A510](#) [CTANK-A520](#) [CTANK-A610](#) [CTANK-A611](#) [CTANK-A620](#) [CTANK-A621](#) [MTOF171000C0](#) [OPS243-C-FC-RP](#) [OPS7242-A-CW-RP](#) [OPS7243-A-CW-RP](#) [OPS7243-C-FC-RP](#) [B5L-A2S-U01-010](#) [101990620](#)